

## Test terminal strip - RSCWE 6-3/10 - 3969926

Please be informed that the data shown in this PDF Document is generated from our Online Catalog. Please find the complete data in the user's documentation. Our General Terms of Use for Downloads are valid (<http://phoenixcontact.com/download>)



Test terminal strip, Connection method: Ring cable lug, Number of positions: 10, Cross section: 0.5 mm<sup>2</sup> - 10 mm<sup>2</sup>, AWG: 24 - 8, Width: 114.1 mm, Height: 70.1 mm, Color: gray, Mounting type: Wall mounting

### Why buy this product

- ✓ Cost-effective, thanks to the tailored, modular design and use of standardized CLIPLINE complete accessories
- ✓ Space saving, thanks to compact, modular test terminal strips
- ✓ The integrated, robust switch contact is designed for the most stringent demands, and the use of high-quality materials ensures the transmission of signal currents, even after multiple actuations
- ✓ Maximum safety with leading and automatic transformer short circuit

### Key Commercial Data

|                                      |           |
|--------------------------------------|-----------|
| Packing unit                         | 1 STK     |
| Weight per Piece (excluding packing) | 440.000 g |
| Custom tariff number                 | 85366990  |
| Country of origin                    | Poland    |

### Technical data

#### Environmental Product Compliance

|            |   |
|------------|---|
| China RoHS | Environmentally friendly use period: unlimited = EFUP-e |
|            | No hazardous substances above threshold values          |

#### General

|  |                   |
|--|-------------------|
| Number of positions                    | 10                |
| Number of levels                       | 1                 |
| Number of connections                  | 20                |
| Potentials                             | 10                |
| Nominal cross section                  | 6 mm <sup>2</sup> |
| Color                                  | gray              |
| Insulating material                    | PA                |
| Flammability rating according to UL 94 | V0                |
| Rated surge voltage                    | 4 kV              |

# Test terminal strip - RSCWE 6-3/10 - 3969926

## Technical data

### General

|   |  |
|---|--|
| Overvoltage category  | III  |
| Insulating material group   | I  |
| Ambient temperature (operation)   | -60 °C ... 100 °C                                      |
| Maximum load current  | 30 A (with 10 mm <sup>2</sup> conductor cross section) |
| Current I <sub>th</sub>   | 24 A   |
| Nominal voltage U <sub>N</sub>  | 400 V AC/DC  |
| Open side panel   | No   |
| Terminal block mounting   | 0.8 Nm ... 1 Nm  |
| Shock protection test specification   | DIN EN 50274 (VDE 0660-514):2002-11                    |
| Back of the hand protection   | guaranteed   |
| Result of surge voltage test  | Test passed  |
| Surge voltage test setpoint   | 4.8 kV   |
| Result of power-frequency withstand voltage test  | Test passed  |
| Power frequency withstand voltage setpoint  | 1.89 kV  |
| Result of the test for mechanical stability of terminal points (5 x conductor connection) | Test passed  |
| Result of tight fit on support  | Test passed  |
| Setpoint  | 5 N  |
| Result of voltage-drop test   | Test passed  |
| Requirements, voltage drop  | ≤ 4.8 mV   |
| Result of temperature-rise test   | Test passed  |
| Short circuit stability result  | Test passed  |
| Conductor cross section short circuit testing   | 4 mm <sup>2</sup>                                      |
| Short-time current  | 300 A  |
| Conductor cross section short circuit testing   | 4 mm <sup>2</sup>                                      |
| Short-time current  | 500 A  |
| Conductor cross section short circuit testing   | 4 mm <sup>2</sup>                                      |
| Short-time current  | 150 A  |
| Result of thermal test  | Test passed  |
| Proof of thermal characteristics (needle flame) effective duration                        | 30 s   |
| Oscillation, broadband noise test result  | Test passed  |
| Test specification, oscillation, broadband noise  | DIN EN 50155 (VDE 0115-200):2008-03                    |
| Test spectrum   | Service life test category 2, bogie mounted            |
| Test frequency  | f <sub>1</sub> = 5 Hz to f <sub>2</sub> = 250 Hz       |
| ASD level   | 6.12 (m/s <sup>2</sup> ) <sup>2</sup> /Hz              |
| Acceleration  | 3.12 g   |
| Test duration per axis  | 5 h  |

# Test terminal strip - RSCWE 6-3/10 - 3969926

## Technical data

### General

|   |                                     |
|---|-------------------------------------|
| Test directions   | X-, Y- and Z-axis                   |
| Shock test result   | Test passed                         |
| Test specification, shock test  | DIN EN 50155 (VDE 0115-200):2008-03 |
| Shock form  | Half-sine                           |
| Acceleration  | 30g                                 |
| Shock duration  | 18 ms                               |
| Number of shocks per direction  | 3                                   |
| Test directions   | X-, Y- and Z-axis (pos. and neg.)   |
| Relative insulation material temperature index (Elec., UL 746 B)        | 130 °C                              |
| Temperature index of insulation material (DIN EN 60216-1 (VDE 0304-21)) | 125 °C                              |
| Static insulating material application in cold                          | -60 °C                              |
| Behavior in fire for rail vehicles (DIN 5510-2)                         | Test passed                         |
| Flame test method (DIN EN 60695-11-10)                                  | V0                                  |
| Oxygen index (DIN EN ISO 4589-2)  | >32 %                               |
| NF F16-101, NF F10-102 Class I  | 2                                   |
| NF F16-101, NF F10-102 Class F  | 2                                   |
| Surface flammability NFPA 130 (ASTM E 162)                              | passed                              |
| Specific optical density of smoke NFPA 130 (ASTM E 662)                 | passed                              |
| Smoke gas toxicity NFPA 130 (SMP 800C)                                  | passed                              |
| Calorimetric heat release NFPA 130 (ASTM E 1354)                        | 28 MJ/kg                            |
| Fire protection for rail vehicles (DIN EN 45545-2) R22                  | HL 1 - HL 3                         |
| Fire protection for rail vehicles (DIN EN 45545-2) R23                  | HL 1 - HL 3                         |
| Fire protection for rail vehicles (DIN EN 45545-2) R24                  | HL 1 - HL 3                         |
| Fire protection for rail vehicles (DIN EN 45545-2) R26                  | HL 1 - HL 3                         |

### Dimensions

|                 |               |
|-----------------|---------------|
| Width           | 114.1 mm      |
| Length          | 81 mm         |
| Height          | 70.1 mm       |
| Plate thickness | 1 mm ... 4 mm |
| Pitch           | 8.2 mm        |

### Connection data

|                                    |                     |
|------------------------------------|---------------------|
| Connection method                  | Ring cable lug      |
| Connection in acc. with standard   | IEC 60947-7-1       |
| Conductor cross section solid min. | 0.5 mm <sup>2</sup> |
| Conductor cross section solid max. | 10 mm <sup>2</sup>  |
| Conductor cross section AWG min.   | 24                  |

## Test terminal strip - RSCWE 6-3/10 - 3969926

### Technical data

#### Connection data

|   |                     |
|---|---------------------|
| Conductor cross section AWG max.                    | 8                   |
| Conductor cross section flexible min.               | 0.5 mm <sup>2</sup> |
| Conductor cross section flexible max.               | 10 mm <sup>2</sup>  |
| Min. AWG conductor cross section, flexible          | 24                  |
| Max. AWG conductor cross section, flexible          | 8                   |
| 2 conductors with same cross section, solid min.    | 0.5 mm <sup>2</sup> |
| 2 conductors with same cross section, solid max.    | 6 mm <sup>2</sup>   |
| 2 conductors with same cross section, stranded min. | 0.5 mm <sup>2</sup> |
| 2 conductors with same cross section, stranded max. | 6 mm <sup>2</sup>   |
| Cable lug connection according to standard          | DIN 46234           |
| Min. cross section for cable lug connection         | 0.5 mm <sup>2</sup> |
| Max. cross section for cable lug connection         | 10 mm <sup>2</sup>  |
| Hole diameter, min.                                 | 4.3 mm              |
| Cable lug width, max.                               | 8 mm                |
| Bolt diameter                                       | 4.1 mm              |
| Cable lug connection according to standard          | DIN 46237           |
| Min. cross section for cable lug connection         | 0.5 mm <sup>2</sup> |
| Max. cross section for cable lug connection         | 10 mm <sup>2</sup>  |
| Hole diameter, min.                                 | 4.3 mm              |
| Cable lug width, max.                               | 8 mm                |
| Bolt diameter                                       | 4.1 mm              |
| Stripping length                                    | 12 mm               |
| Internal cylindrical gage                           | A5                  |
| Screw thread  | No 8 UNC            |
| Tightening torque, min                              | 1.5 Nm              |
| Tightening torque max                               | 1.8 Nm              |

#### Assembly

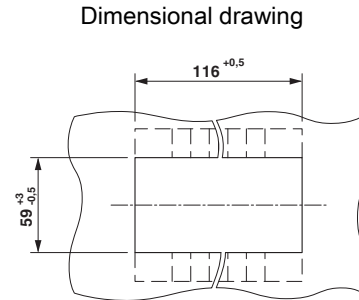
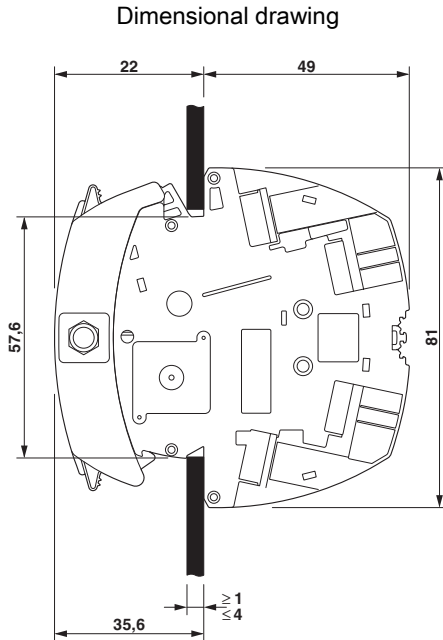
|   |               |
|---|---------------|
| Mounting type                                 | Wall mounting |
| Plate thickness                               | 1 mm ... 4 mm |
| Min. tightening torque of the mounting screw: | 0.8 Nm        |
| Max. tightening torque of the mounting screw: | 1 Nm          |

#### Standards and Regulations

|  |               |
|--|---------------|
| Connection in acc. with standard       | IEC 60947-7-1 |
|  | DIN 46234     |
|  | DIN 46237     |
| Flammability rating according to UL 94 | V0            |

# Test terminal strip - RSCWE 6-3/10 - 3969926

## Drawings



## Classifications

### eCl@ss

|            |          |
|------------|----------|
| eCl@ss 4.0 | 27141118 |
| eCl@ss 4.1 | 27141118 |
| eCl@ss 5.0 | 27141118 |
| eCl@ss 5.1 | 27141120 |
| eCl@ss 6.0 | 27141141 |
| eCl@ss 7.0 | 27141141 |
| eCl@ss 8.0 | 27141126 |
| eCl@ss 9.0 | 27141126 |

### ETIM

|          |          |
|----------|----------|
| ETIM 4.0 | EC000897 |
| ETIM 5.0 | EC000902 |

### UNSPSC

|               |          |
|---------------|----------|
| UNSPSC 6.01   | 30211811 |
| UNSPSC 7.0901 | 39121410 |
| UNSPSC 11     | 39121410 |
| UNSPSC 12.01  | 39121410 |

# Test terminal strip - RSCWE 6-3/10 - 3969926

## Classifications

### UNSPSC

|             |          |
|-------------|----------|
| UNSPSC 13.2 | 39121410 |
|-------------|----------|

## Approvals


### Approvals


#### Approvals


CSA / UL Recognized / cUL Recognized / cULus Recognized

#### Ex Approvals

## Approval details


|   |       |       |
|---|-------|-------|
| CSA  <a href="http://www.csagroup.org/services/testing-and-certification/certified-product-listing/">http://www.csagroup.org/services/testing-and-certification/certified-product-listing/</a> 13631 |       |       |
|   | B     | C     |
| mm <sup>2</sup> /AWG/kcmil  | 20-8  | 20-8  |
| Nominal current IN  | 31 A  | 31 A  |
| Nominal voltage UN  | 600 V | 600 V |

|  |       |       |
|--|-------|-------|
| UL Recognized  <a href="http://database.ul.com/cgi-bin/XYV/template/LISEXT/1FRAME/index.htm">http://database.ul.com/cgi-bin/XYV/template/LISEXT/1FRAME/index.htm</a> FILE E 60425 |       |       |
|  | B     | C     |
| mm <sup>2</sup> /AWG/kcmil   | 20-8  | 20-8  |
| Nominal current IN   | 31 A  | 31 A  |
| Nominal voltage UN   | 600 V | 600 V |

|   |       |       |
|---|-------|-------|
| cUL Recognized  <a href="http://database.ul.com/cgi-bin/XYV/template/LISEXT/1FRAME/index.htm">http://database.ul.com/cgi-bin/XYV/template/LISEXT/1FRAME/index.htm</a> FILE E 60425 |       |       |
|   | B     | C     |
| mm <sup>2</sup> /AWG/kcmil  | 20-8  | 20-8  |
| Nominal current IN  | 31 A  | 31 A  |
| Nominal voltage UN  | 600 V | 600 V |

## Test terminal strip - RSCWE 6-3/10 - 3969926

### Approvals

cULus Recognized  <http://database.ul.com/cgi-bin/XYV/template/LISEXT/1FRAME/index.htm>

### Accessories

#### Accessories

##### Blind plug

Dummy plug - FBP-2/10 - 3069881



Dummy plug, Pitch: 8.2 mm, Length: 72.9 mm, Width: 114.4 mm, Number of positions: 10, Color: gray

##### Cover profile

Cover profile - FBP-3/10 TR - 3069924



Cover profile, can optionally be sealed, Length: 66.3 mm, Width: 114 mm, Height: 28 mm, Color: transparent

Cover profile - AP RSC-T - 3059139



Cover profile, for covering terminal strips, directly snapped onto RBO... and RSC... test disconnect terminal blocks.  
Length supplied: 1 m

##### Cover profile carrier

Cover profile carrier - APH-RSCWE 6-3 CARRIER - 3069058



Cover profile carrier, For accommodating the cover profile, Length: 81 mm, Width: 8.15 mm, Height: 73.1 mm, Number of positions: 1, Color: gray

## Test terminal strip - RSCWE 6-3/10 - 3969926

### Accessories

---

Cover profile carrier - APH-RSCWE 6-3 CARRIER ? - 3069059



Cover profile carrier, For accommodating the cover profile, Length: 81 mm, Width: 8.15 mm, Height: 73.1 mm, Number of positions: 1, Color: gray

---

### End cover

Spacer plate - DP-RSCWE 6-3 - 3069314



Spacer plate, Length: 80.9 mm, Width: 8.2 mm, Height: 70.8 mm, Number of positions: 1, Color: gray

---

### Jumper

Plug-in bridge - FBS 2-8 - 3030284



Plug-in bridge, Pitch: 8.2 mm, Length: 29.6 mm, Width: 14.7 mm, Number of positions: 2, Color: red

---

Plug-in bridge - FBS 3-8 - 3030297



Plug-in bridge, Pitch: 8.2 mm, Number of positions: 3, Color: red

---



## Test terminal strip - RSCWE 6-3/10 - 3969926

### Accessories

Plug-in bridge - FBS 4-8 - 3030307



Plug-in bridge, Pitch: 8.2 mm, Number of positions: 4, Color: red

---

Plug-in bridge - FBS 5-8 - 3030310



Plug-in bridge, Pitch: 8.2 mm, Number of positions: 5, Color: red

---

Plug-in bridge - FBS 6-8 - 3032470



Plug-in bridge, Pitch: 8.2 mm, Number of positions: 6, Color: red

---

Plug-in bridge - FBS 10-8 - 3030323



Plug-in bridge, Pitch: 8.2 mm, Number of positions: 10, Color: red

---

Plug-in bridge - FBS 1/3-8 - 3032363



Plug-in bridge, Pitch: 8.2 mm, Number of positions: 3, Pin assignment: 1,3, Color: red

---

## Test terminal strip - RSCWE 6-3/10 - 3969926

### Accessories

Plug-in bridge - FBS 1/4-8 - 3032376



Plug-in bridge, Pitch: 8.2 mm, Number of positions: 4, Pin assignment: 1, 4, Color: red

---

Plug-in bridge - FBS 1/3/5-8 - 3032389



Plug-in bridge, Pitch: 8.2 mm, Number of positions: 5, Pin assignment: 1,3,5, Color: red

---

Plug-in bridge - FBS 1/4/7/10-8 - 3032402



Plug-in bridge, Pitch: 8.2 mm, Number of positions: 10, Pin assignment: 1,4,7,10, Color: red

---

Plug-in bridge - FBS 2-8 CT - 3033830



Plug-in bridge, Pitch: 8.2 mm, Length: 29.6 mm, Width: 14.7 mm, Number of positions: 2, Color: orange

---

Plug-in bridge - FBS 3-8 CT - 3033831



Plug-in bridge, Pitch: 8.2 mm, Number of positions: 3, Color: orange

---

## Test terminal strip - RSCWE 6-3/10 - 3969926

### Accessories

Plug-in bridge - FBS 4-8 CT - 3033832



Plug-in bridge, Pitch: 8.2 mm, Number of positions: 4, Color: orange

---

Plug-in bridge - FBS 10-8 CT - 3033833



Plug-in bridge, Pitch: 8.2 mm, Number of positions: 10, Color: orange

---

### Labeled terminal marker

Zack marker strip - ZB 8 CUS - 0825011



Zack marker strip, can be ordered: Strip, white, labeled according to customer specifications, Mounting type: Snap into tall marker groove, for terminal block width: 8.2 mm, Lettering field: 10.5 x 8.15 mm

---

Marker for terminal blocks - UC-TM 8 CUS - 0824597



Marker for terminal blocks, can be ordered: by sheet, white, labeled according to customer specifications, Mounting type: Snap into tall marker groove, for terminal block width: 8.2 mm, Lettering field: 7.6 x 10.5 mm

---

Marker for terminal blocks - UCT-TM 8 CUS - 0829616



Marker for terminal blocks, can be ordered: by sheet, white, labeled according to customer specifications, Mounting type: Snap into tall marker groove, for terminal block width: 8.2 mm, Lettering field: 7.6 x 10.5 mm

---

## Test terminal strip - RSCWE 6-3/10 - 3969926

### Accessories

Zack marker strip - ZB 8,LGS:FORTL.ZAHLEN - 1052015



Zack marker strip, Strip, white, labeled, can be labeled with: Plotter, Printed horizontally: Consecutive numbers 1 - 10, 11 - 20, etc. up to 491 - 500, Mounting type: Snap into tall marker groove, for terminal block width: 8.2 mm, Lettering field: 10.5 x 8.15 mm

Zack marker strip - ZB 8,QR:FORTL.ZAHLEN - 1052028



Zack marker strip, Strip, white, labeled, can be labeled with: Plotter, Printed vertically: Consecutive numbers 1 - 10, 11 - 20, etc. up to 91 - 100, Mounting type: Snap into tall marker groove, for terminal block width: 8.2 mm, Lettering field: 10.5 x 8.15 mm

Marker for terminal blocks - ZB 8,LGS:L1-N,PE - 1052413



Marker for terminal blocks, Strip, white, labeled, can be labeled with: Plotter, Horizontal: L1, L2, L3, N, PE, L1, L2, L3, N, PE, Mounting type: Snap into tall marker groove, for terminal block width: 8.2 mm, Lettering field: 10.5 x 8.15 mm

### Plug

Interruption plug - FIP-3/1 SERVICE - 3069921

Interruption plug, Number of positions: 1, Width: 13.6 mm, Color: green



Interruption plug - FIP-3/2 SERVICE - 3069920

Interruption plug, Number of positions: 2, Width: 16.3 mm, Color: red



## Test terminal strip - RSCWE 6-3/10 - 3969926

### Accessories

Interruption plug - FIP-3/3 SERVICE - 3069312

Interruption plug, Number of positions: 3, Width: 24.5 mm, Color: red



Interruption plug - FIP-3/4 SERVICE - 3069313

Interruption plug, Number of positions: 4, Width: 32.6 mm, Color: red



### Screwdriver tools

Screwdriver - SF-SL 0,8X4,0-100 - 1212551



Screwdriver, bladed (lasered), size: 0.8 x 4.0 x 100 mm, 2-component grip, with non-slip grip

Screwdriver - SF-SL 0,8X4,0-100 S-VDE - 1212588



Actuation tool, for ST terminal blocks, VDE insulated, with slimmer insulation integrated in the blade, also suitable for use as a bladed screwdriver, size: 0.8 x 4.0 x 100 mm, 2-component grip, with non-slip grip

### Terminal marking

Zack marker strip - ZB 8:UNBEDRUCKT - 1052002



Zack marker strip, Strip, white, unlabeled, can be labeled with: Plotter, Mounting type: Snap into tall marker groove, for terminal block width: 8.2 mm, Lettering field: 10.5 x 8.15 mm

## Test terminal strip - RSCWE 6-3/10 - 3969926

### Accessories

---

#### Marker for terminal blocks - UC-TM 8 - 0818072



Marker for terminal blocks, Sheet, white, unlabeled, can be labeled with: BLUEMARK CLED, BLUEMARK LED, Plotter, Mounting type: Snap into tall marker groove, for terminal block width: 8.2 mm, Lettering field: 7.6 x 10.5 mm

#### Marker for terminal blocks - UCT-TM 8 - 0828740



Marker for terminal blocks, Sheet, white, unlabeled, can be labeled with: THERMOMARK CARD, BLUEMARK CLED, BLUEMARK LED, TOPMARK LASER, THERMOMARK PRIME, Mounting type: Snap into tall marker groove, for terminal block width: 8.2 mm, Lettering field: 7.6 x 10.5 mm

#### Marker for terminal blocks - TMT (EX9,5)R - 0828295



Marker for terminal blocks, Roll, white, unlabeled, can be labeled with: THERMOMARK ROLL, THERMOMARK ROLL X1, THERMOMARK X, Mounting type: Snap into universal marker groove, Snap into tall marker groove, Lettering field: 9.5 x 50000 mm

#### Marker for terminal blocks - US-TM 100 - 0829255



Marker for terminal blocks, Card, white, unlabeled, can be labeled with: THERMOMARK PRIME, THERMOMARK CARD, Mounting type: Snap into universal marker groove, Lettering field: 104 x 9.8 mm

### Test plug terminal block

#### Test plug - FTPR-3/10S - 3069955



Test plug, With twist grip, Number of positions: 10, Width: 112.3 mm, Color: gray

## Test terminal strip - RSCWE 6-3/10 - 3969926

### Accessories

Test plug - FTP-3/10S - 3069951



Test plug, Number of positions: 10, Width: 114.1 mm, Color: gray

---

Test plug - FTP-2/1 SERVICE - 3069469



Test plug, Number of positions: 1, Width: 9 mm, Color: red

---

### Test socket

Test adapter - PAI-4-N GY - 3032871



4 mm test adapter, for terminal blocks with 5.2 mm, 6.2 mm and 8.2 mm pitch

---

Test adapter - PAI-4-FIX BU - 3032729



4 mm test adapter, for terminal blocks with 8.2 mm pitch

---

Test adapter - PAI-4-FIX OG - 3034455



4 mm test adapter, for terminal blocks with 8.2 mm pitch

---

## Test terminal strip - RSCWE 6-3/10 - 3969926

### Accessories

Test adapter - PAI-4-FIX YE - 3032745



4 mm test adapter, for terminal blocks with 8.2 mm pitch

---

Test adapter - PAI-4-FIX RD - 3032732



4 mm test adapter, for terminal blocks with 8.2 mm pitch

---

Test adapter - PAI-4-FIX GN - 3032758



4 mm test adapter, for terminal blocks with 8.2 mm pitch

---

Test adapter - PAI-4-FIX BK - 3032774



4 mm test adapter, for terminal blocks with 8.2 mm pitch

---

Test adapter - PAI-4-FIX GY - 3032790



4 mm test adapter, for terminal blocks with 8.2 mm pitch

---



## Test terminal strip - RSCWE 6-3/10 - 3969926

### Accessories

Test adapter - PAI-4-FIX VT - 3032761



4 mm test adapter, for terminal blocks with 8.2 mm pitch

---

Test adapter - PAI-4-FIX BN - 3032787



4 mm test adapter, for terminal blocks with 8.2 mm pitch

---

Test adapter - PAI-4-FIX WH - 3032797



4 mm test adapter, for terminal blocks with 8.2 mm pitch

---

Test adapter - PAIS-4-FIX GY - 3032791



Test adapter, Color: gray

---

Test adapter - PAIS-4-FIX BK - 3032792



Test adapter, Color: black

---

## Test terminal strip - RSCWE 6-3/10 - 3969926

### Accessories

Test adapter - PAIS-4-FIX RD - 3032793



Test adapter, Color: red

---

Test adapter - PAIS-4-FIX BU - 3032798



Test adapter, Color: blue

---

Test adapter - PAIS-4-FIX YE - 3032799



Test adapter, Color: yellow

---

Test adapter - PAIS-4-FIX GN - 3032801



Test adapter, Color: green

---

Test adapter - PAIS-4-FIX VT - 3032802



Test adapter, Color: violet

---

## Test terminal strip - RSCWE 6-3/10 - 3969926

### Accessories

Female test connector - PSBJ-URTK 6 FARBLOS - 3026450



Female test connector, Color: transparent

---

Female test connector - PSBJ-URTK 6 RD - 3026719



Female test connector, Color: red

---

Female test connector - PSBJ-URTK 6 BU - 3026434



Female test connector, Color: blue

---

Female test connector - PSBJ-URTK 6 YE - 3026405



Female test connector, Color: yellow

---

Female test connector - PSBJ-URTK 6 GN - 3026418



Female test connector, Color: green

---

## Test terminal strip - RSCWE 6-3/10 - 3969926

### Accessories

Female test connector - PSBJ-URTK 6 VT - 3026421



Female test connector, Color: violet

---

Female test connector - PSBJ-URTK 6 GY - 3026612



Female test connector, Color: gray

---

Female test connector - PSBJ-URTK 6 BK - 3026447



Female test connector, Color: black

---

Female test connector - PSBJ-URTK 6 BN - 3026971



Female test connector, Color: brown

---

Female test connector - PSBJ-URTK 6 WH - 3026448



Female test connector, Color: white

---

---

