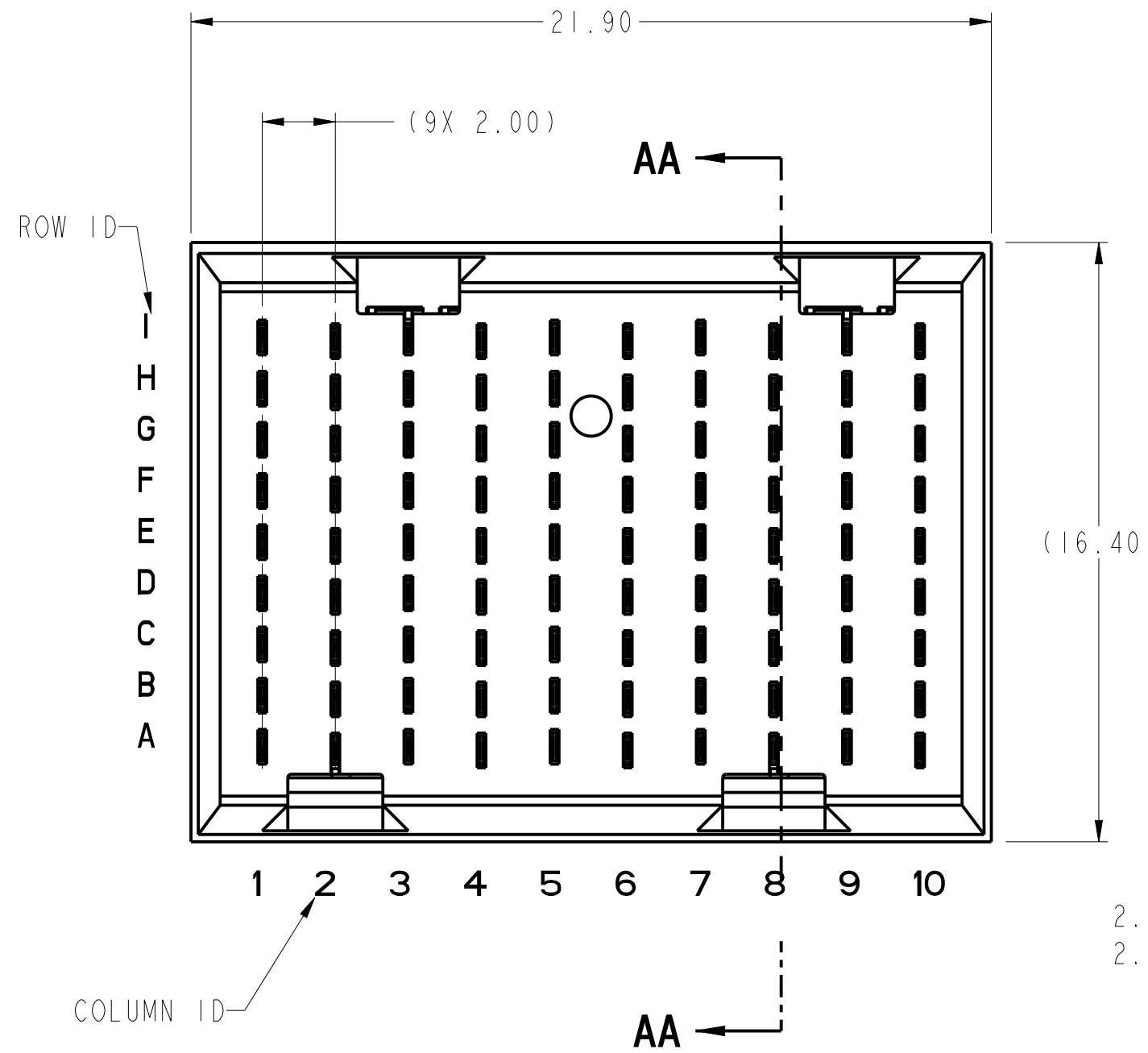


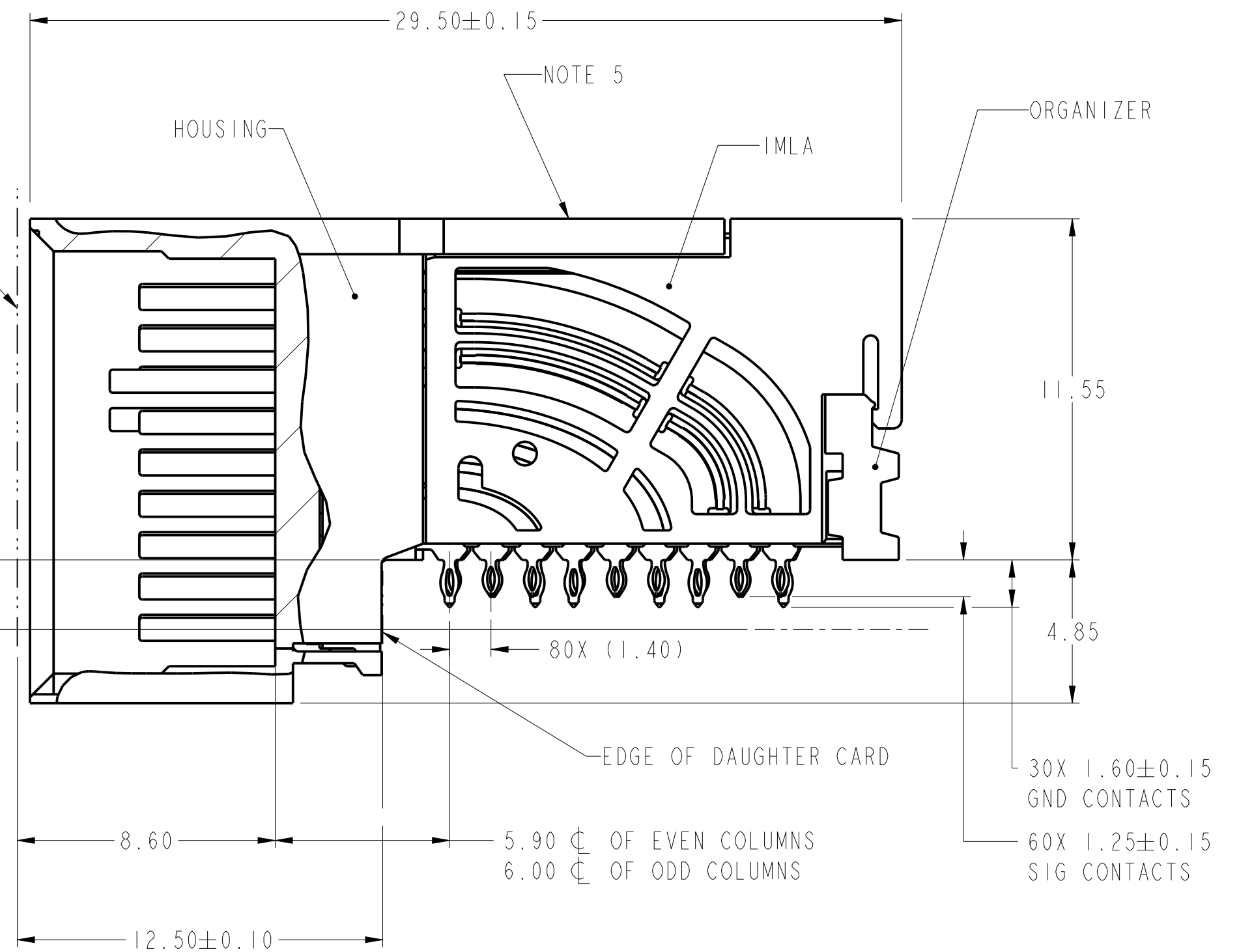
PRODUCT NUMBER  
SEE SHEET 3



TOP SURFACE OF MOTHER BOARD

TOP SURFACE OF DAUGHTER CARD

2.35  $\phi$  OF EVEN COLUMNS  
2.25  $\phi$  OF ODD COLUMNS



SECTION AA-AA

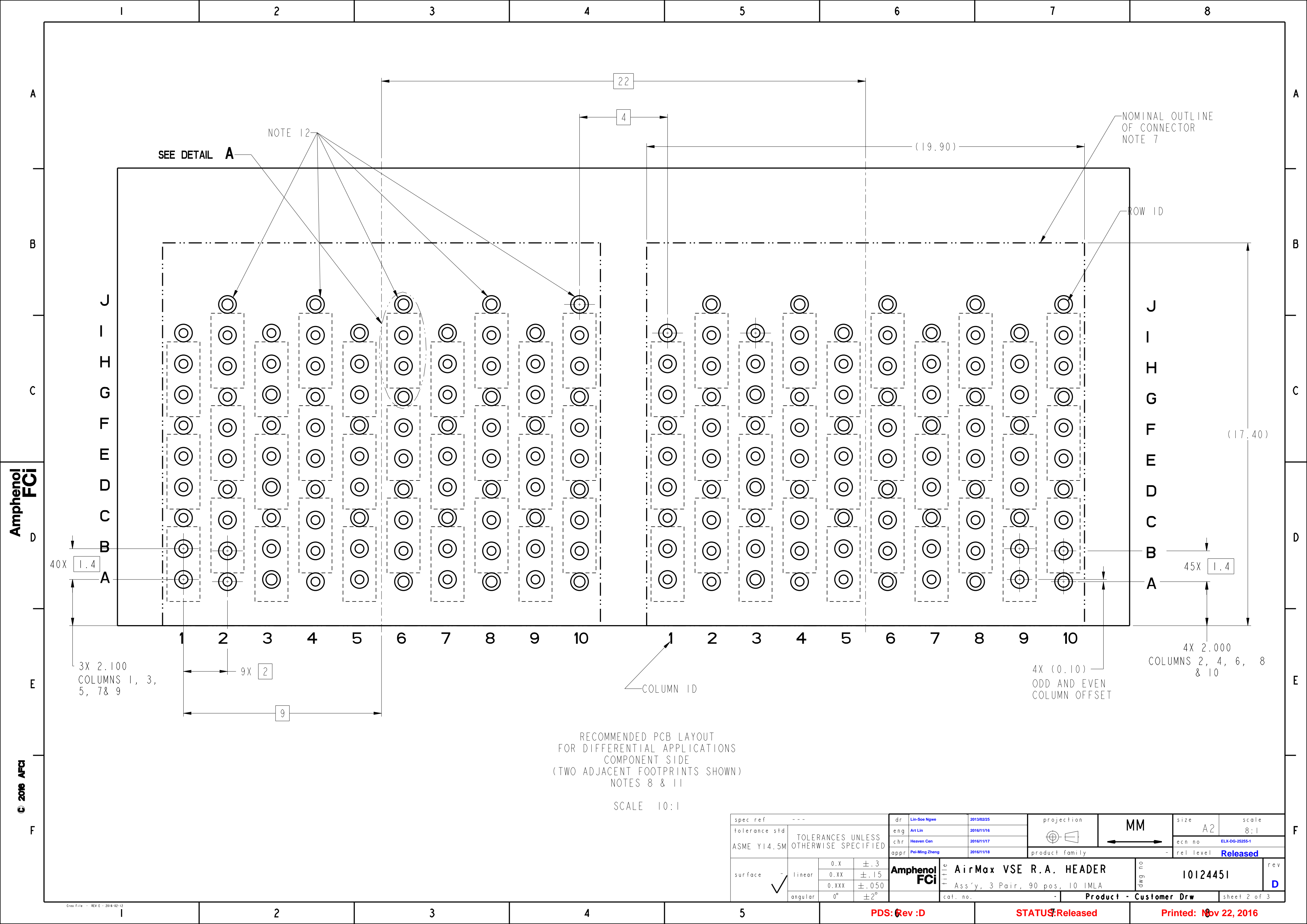
spec ref	---	dr	Lin-Soe Ngwe	2013/02/25	projection	MM	size	A2	scale	6:1											
tolerance std	ASME Y14.5M	eng	Art Lin	2016/11/16			ecn no	ELX-DG-25255-1	rel level	Released											
TOLERANCES UNLESS OTHERWISE SPECIFIED		chr	Heaven Cen	2016/11/17			product family	AirMax VSE													
surface	<table border="1"> <tr> <td>linear</td> <td>0.X</td> <td>±.3</td> </tr> <tr> <td></td> <td>0.XX</td> <td>±.15</td> </tr> <tr> <td></td> <td>0.XXX</td> <td>±.050</td> </tr> <tr> <td>angular</td> <td>0°</td> <td>±2°</td> </tr> </table>	linear	0.X	±.3		0.XX	±.15		0.XXX	±.050	angular	0°	±2°	appr	Pai-Ming Zheng	2016/11/18	<b>Amphenol FCI</b>		<b>AirMax VSE R.A. HEADER</b> Ass'y, 3 Pair, 90 pos, 10 IMLA	dwg no <b>10124451</b>	rev <b>D</b>
linear	0.X	±.3																			
	0.XX	±.15																			
	0.XXX	±.050																			
angular	0°	±2°																			
		cat. no.			Product - Customer Drw		sheet 1 of 3														

PDS: Rev :D

STATUS: Released

Printed: Nov 22, 2016

Amphenol FCI  
© 2016 APCI



SEE DETAIL A

NOTE 12

NOMINAL OUTLINE OF CONNECTOR NOTE 7

ROW ID

(17.40)

40X

1.4

45X

1.4

3X 2.100  
COLUMNS 1, 3,  
5, 7 & 9

9X

2

9

4X (0.10)  
ODD AND EVEN  
COLUMN OFFSET

4X 2.000  
COLUMNS 2, 4, 6, 8  
& 10

RECOMMENDED PCB LAYOUT  
FOR DIFFERENTIAL APPLICATIONS  
COMPONENT SIDE  
(TWO ADJACENT FOOTPRINTS SHOWN)  
NOTES 8 & 11

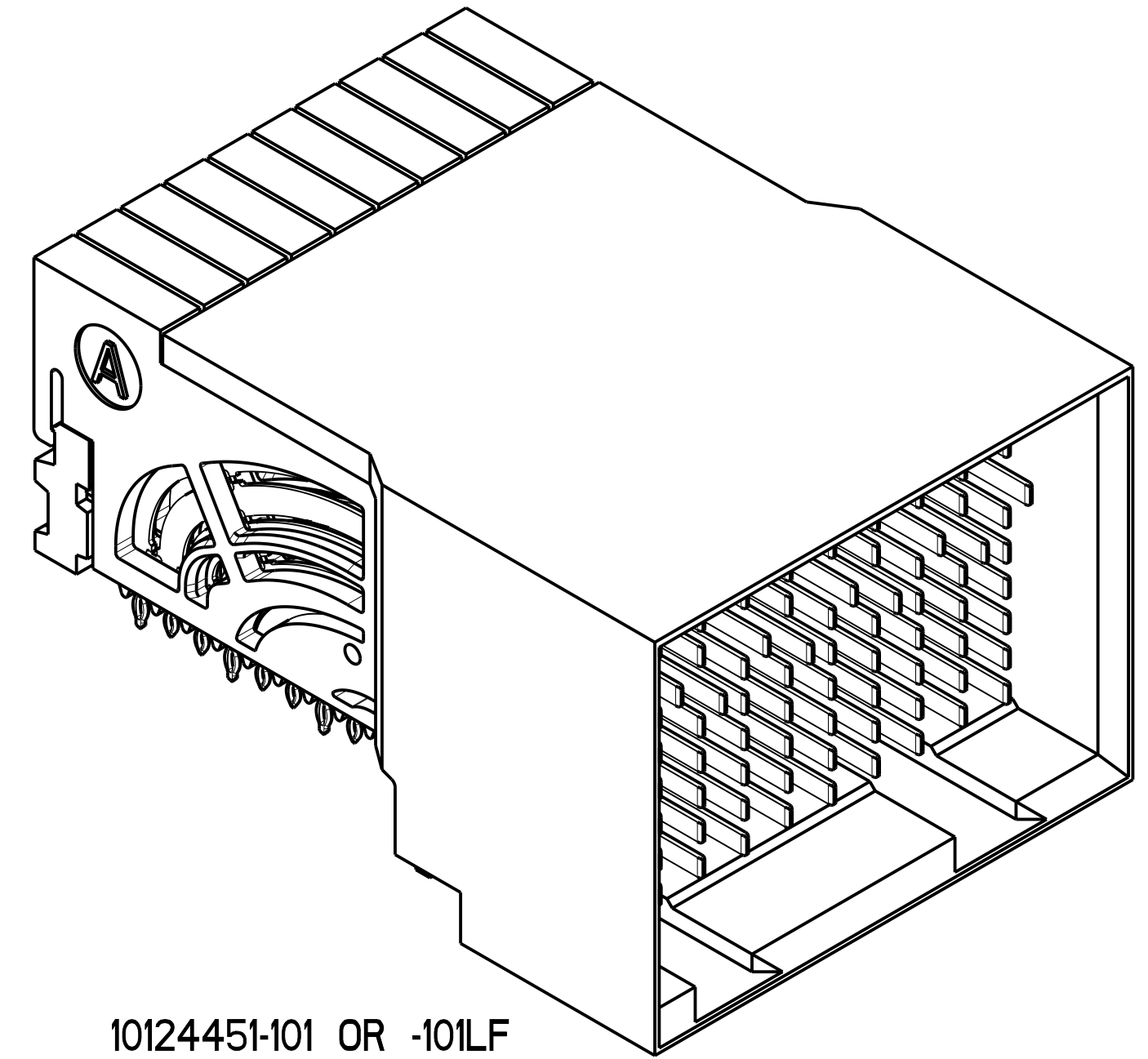
SCALE 10:1

COLUMN ID

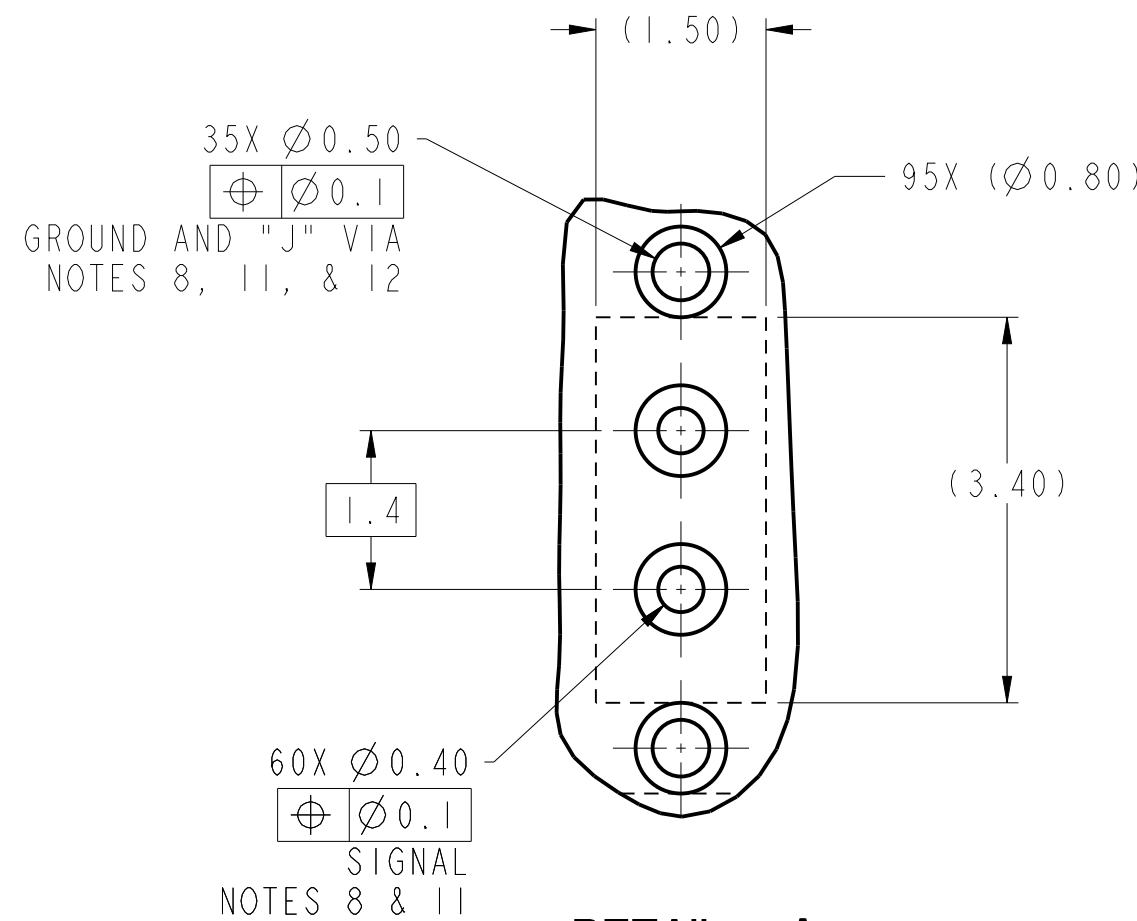
spec ref	---	dr	Lin-Soe Ngwe	2013/02/25	projection	MM	size	A2	scale	8:1											
tolerance std	ASME Y14.5M	eng	Art Lin	2016/11/16			ecn no	ELX-DG-2525-1													
TOLERANCES UNLESS OTHERWISE SPECIFIED		chr	Heaven Cen	2016/11/17			rel level	Released													
surface	<table border="1"> <tr> <td>linear</td> <td>0.X</td> <td>±.3</td> </tr> <tr> <td></td> <td>0.XX</td> <td>±.15</td> </tr> <tr> <td></td> <td>0.XXX</td> <td>±.050</td> </tr> <tr> <td>angular</td> <td>0°</td> <td>±2°</td> </tr> </table>	linear	0.X	±.3				0.XX	±.15		0.XXX	±.050	angular	0°	±2°	appr	Pai-Ming Zheng	2016/11/18	product family		
linear	0.X	±.3																			
	0.XX	±.15																			
	0.XXX	±.050																			
angular	0°	±2°																			
		<b>Amphenol FCI</b>			<b>AirMax VSE R.A. HEADER</b> Ass'y, 3 Pair, 90 pos, 10 IMLA			dwg no	10124451		rev	D									
		PDS: Rev :D			STATUS: Released			Product - Customer Drw		sheet 2 of 3											

PRODUCT NUMBER	PRESS-FIT TAIL PLATING TYPE
10124451-101	TIN/LEAD ALLOY OVER NICKEL
10124451-101LF	TIN OVER NICKEL (LEAD FREE)

- 1 - CONNECTOR MATERIALS:  
HOUSING: HIGH TEMP THERMOPLASTIC, NATURAL, UL94-V0  
IMLA PLASTIC: HIGH TEMP THERMOPLASTIC, BLACK, UL94-V0  
CONTACT: COPPER ALLOY  
ORGANIZER: HIGH TEMP THERMOPLASTIC, NATURAL, UL94-V0
- 2 - CONTACT PLATING:  
SEPARABLE INTERFACE:  
PERFORMANCE-BASED PLATING, QUALIFIED TO MEET THE REQUIREMENTS OF FCI PRODUCT SPECIFICATION GS-12-XXX INCLUDING TELCORDIA GR-1217-CORE (NOVEMBER 1995) CENTRAL OFFICE TEST SEQUENCE  
  
PRESS-FIT TAILS: SEE TABLE
- 3 - PRODUCT SPECIFICATION: GS-12-0956
- 4 - APPLICATION SPECIFICATION: GS-20-0305
- 5 - PRODUCT MARKING, (PROTOTYPE, PART NUMBER & LOT CODE), ON THIS SURFACE.
- 6 - POSITIONS "F" OF ODD NUMBERED COLUMNS AND POSITIONS "G" OF EVEN NUMBERED COLUMNS CORRESPOND TO EARLY MATE HEADER PINS.
- 7 - CONNECTOR OUTLINE MAY BE SCREEN PRINTED ONTO CUSTOMER PCB TO BE USED AS A GUIDE FOR CONNECTOR PLACEMENT.
- 8 - REFER TO CUSTOMER DRAWING 10104444 FOR INFORMATION ON PCB HOLE DIAMETERS AND PLATING OPTIONS
- 9 - LEAD FREE PRODUCT MEETS THE EUROPEAN UNION DIRECTIVES & OTHER COUNTRY REGULATIONS AS DESCRIBED IN GS-22-008
- 10 - PACKAGING MEETS GS-14-920 LEAD FREE LABELING SPECIFICATION.
- 11 - GROUND CONTACTS (C, F, & I IN ODD COLUMNS AND A, D, & G IN EVEN COLUMNS) REQUIRE (Ø0.50) FINISHED HOLES. SIGNAL LOCATIONS REQUIRE (Ø0.40) FINISHED HOLES
- 12 - THESE OUTER VIAS (J) ARE OPTIONAL. WHILE NO CONNECTOR PINS ARE PRESSED INTO THESE HOLES WE RECOMMEND (Ø0.500) FINISHED HOLES AT THESE LOCATIONS TO PROVIDE GROUND SYMMETRY THROUGH THE PCB.



10124451-101 OR -101LF



DETAIL A  
SCALE 15:1

spec ref	---	dr	Lin-Soe Ngwe	2013/02/25	projection	MM	size	A2	scale	5:1
tolerance std	ASME Y14.5M	eng	Art Lin	2016/11/16			ecn no	ELX-DG-25255-1		
TOLERANCES UNLESS OTHERWISE SPECIFIED		chr	Heaven Cen	2016/11/17			rel level	Released		
surface	✓	appr	Pei-Ming Zheng	2016/11/18	product family	AirMax VSE R.A. HEADER		dwg no	10124451	
linear	0.X ±.3	Amphenol FCI		title		Ass'y, 3 Pair, 90 pos, 10 IMLA		rev	D	
linear	0.XX ±.15	cat. no.		Product - Customer Drw		sheet 3 of 3				
linear	0.XXX ±.050									
angular	0° ±2°									

Amphenol FCI

© 2016 AFCE