

SAFETY ORGANIZATION(S):

THIS FILTER HAS BEEN FORMALLY RECOGNIZED, CERTIFIED OR APPROVED BY THE LISTED AGENCY. THEREFORE, ALL TEST/REQUIREMENTS SPECIFIED IN THE LATEST REVISION OF THE FOLLOWING AGENCY STANDARDS HAVE BEEN MET,

UL RECOGNIZED	UL 1283
CSA CERTIFIED	CSA 22.2, NO.0,0.4,8
VDE APPROVED	VDE 565-3, 625

OPERATING SPECIFICATIONS:

LINE VOLTAGE/CURRENT: 5 AMP., 120 VAC
4 AMP., 250 VAC
4 AMP./40°C, 250 VAC

LINE FREQUENCY: 50-60Hz

MAX. LEAKAGE CURRENT, EACH LINE TO GROUND: .25mA AT 120V 60Hz
.42mA AT 250V 50Hz

OPERATING AMBIENT TEMP. RANGE: -10°C TO +40°C @ RATED CURRENT, I

IN AN AMBIENT, T_a, HIGHER THAN 40°C, THE MAXIMUM OPERATING CURRENT, I_o, IS AS FOLLOWS:

$$I_o = I_r \sqrt{\frac{85 - T_a}{45}}$$

RELIABILITY SPECIFICATIONS:

STORAGE TEMPERATURE: -40°C TO +85°C
HUMIDITY: 21 DAYS @ 40°C 95% RH
CURRENT OVERLOAD TEST: 6 TIMES RATED CURRENT FOR 8 SECONDS

TEST SPECIFICATIONS:

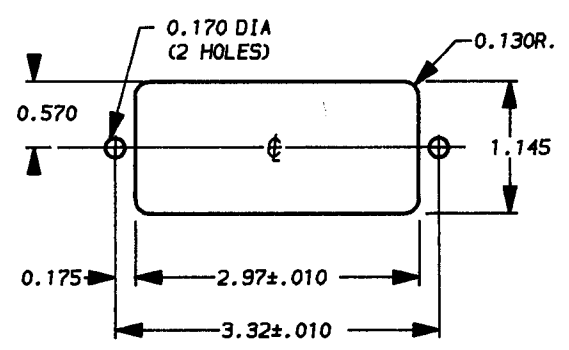
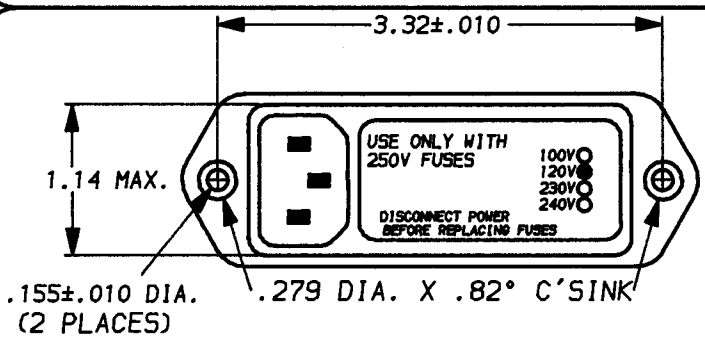
INDUCTANCE: .93mH NOMINAL
CAPACITANCE: (MEASURED AT 1 KHz, 0.25 VAC MAX., 25°C ±1°C)
LINE TO LINE: .01µF ±20%
LINE TO GROUND: .005µF ±20%
DISCHARGE RESISTOR: 1.5 MΩ
LINE/GROUND AND LINE/LINE: 6000 MΩ (MIN)
INSULATION RESISTANCE: AT 100 VDC
(W/O DISCHARGE RESISTOR) 20°C AND 50% RH

RECOMMENDED RECEIVING INSPECTION HIPOT:

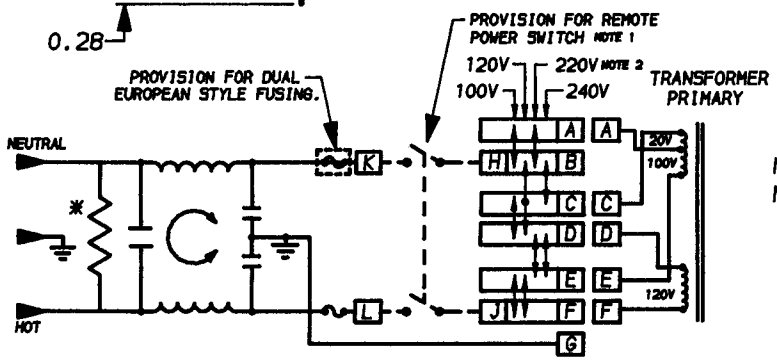
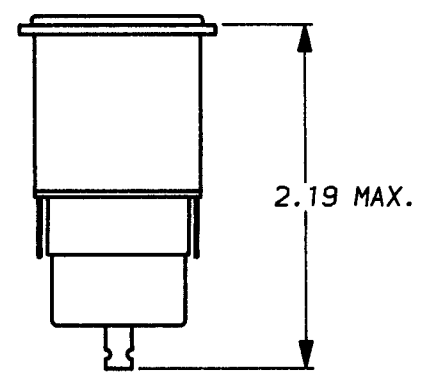
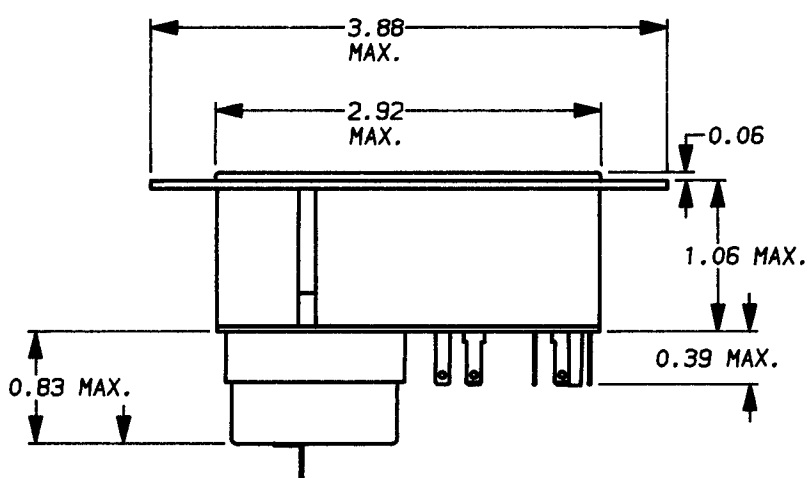
LINES TO GROUND: 1500 VAC FOR 1 MINUTE
LINE TO LINE: 1450 VDC FOR 1 MINUTE

FILTER APPROVAL:
THE BEST WAY TO SELECT AND QUALIFY A FILTER IS FOR YOUR ENGINEERING TO TEST THE UNIT IN YOUR EQUIPMENT.

SEFM4



RECOMMENDED PANEL CUT-OUT
NOT TO SCALE



NOTE 1. JUMPERS REQUIRED IF NO SWITCH IS USED.
NOTE 2. 230V. FOR EUROPEAN APPLICATIONS.

50Ω - 50Ω (MINIMUM) INSERTION LOSS								
FREQUENCY MHz	.15	.50	1.0	2.0	5.0	10	20	30
COMMON dB	14	21	26	33	40	45	50	40
DIFF. dB								

*RESISTOR ADDED TO PRODUCT BUILT AFTER 3-30-92 (9212).

	UNLESS OTHERWISE SPECIFIED, TOLERANCE TO BE ±.025	 LIBERTYVILLE, IL 60048 POWER LINE FILTER	
	MATERIAL & FINISH: AS SUPPLIED		
	This document is proprietary to CORCOM INC. and is not to be reproduced nor used for manufacturing purposes except on CORCOM'S prior written consent.		
	DATE: 4-18-94	CATALOG NO.	REV.
	APPRVD.		SEFM4.05
	CAD NO.	SEFM4.05	