

- 5.8mm Pitch, Rated Current: 10A max
- Fully Waterproof with Double Latch Solution
- Available in Wire-to-Wire and Wire-to-Board Options
- Seals preassembled into housing; no external sealing required available in 1, 2, or 3 Positions
- True Crimp and Poke Solution
- Internal Polarization to Prevent Mismatching
- Available with wire already installed
- Wide range of wire sizes available
- Waterproof Grade IP67 Certified



### Specifications:

No. of Positions	1, 2, 3P
Pitch	5.8mm
Rated Voltage	300V
Rated Current	10A max
Withstanding Voltage	1700V AC (rms)
Contact Resistance	10 mΩ max
Insulation Resistance	1000 MΩ min./DC500V
Temperature Range	-40°C to +105°C
PCB Thickness	1.6mm

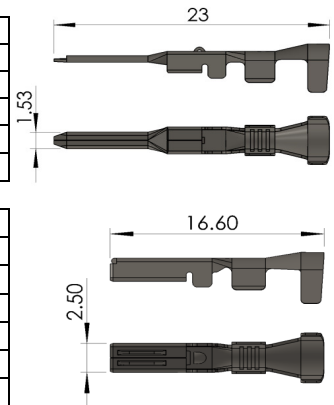
### Materials:

Crimp & Poke	Housing	PBT, UL 94V-0
	Contact	Ph. Brz. or Brass
PCB Header	Housing	PBT with Glass, UL 94V-0
	Contact	Brass
Contact Plating	Tin Plating	
Wire & Housing Seals	Silicone Rubber	

### Crimp Contact:

Male Contact (Pin)			
Part No (Material)	AWG#	Ins. Dia.	Pcs/Reel
570-290-751 (Brass)	14	Max. Ø3.1	4,000
570-291-731 (Ph. Brz.)	20-16	Max. Ø3.1	4,000
570-290-731 (Brass)	20-16	Max. Ø3.1	4,000
570-290-711 (Brass)	22-20	Max. Ø2.7	4,000

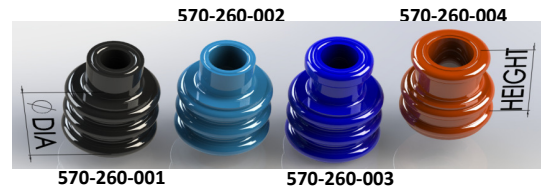
Female Contact (Socket)			
Part No (Material)	AWG#	Ins. Dia.	Pcs/Reel
570-290-761 (Brass)	14	Max. Ø3.1	4,000
570-291-741 (Ph. Brz.)	20-16	Max. Ø3.1	4,000
570-290-741 (Brass)	20-16	Max. Ø3.1	4,000
570-291-721 (Ph. Brz.)	22-20	Max. Ø2.7	4,000
570-290-721 (Brass)	22-20	Max. Ø2.7	4,000



\*\*Crimp Contacts are also available in strips of 40pcs.  
Contact EDAC for more information.  
\*\*Housing seals are already pre-assembled in the connector.

### Wire Seal:

Part No.	Wire O.D.	Color	AWG#	Ø Dia.	Height
570-260-001	Ø1.7~Ø2.1	Black	22	Ø 5.0	6.0
570-260-002	Ø2.1~Ø2.7	Light Blue	22-20	Ø 5.0	6.0
570-260-003	Ø2.1~Ø2.7	Blue	22-20	Ø 5.0	6.7
570-260-004	Ø2.7~Ø3.1	Brown	20-14	Ø 4.9	5.0



### Ordering Guide:

**572-002-000-100**

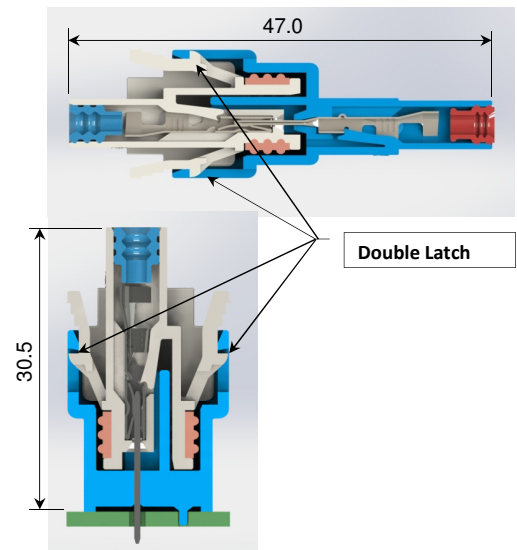
SERIES: \_\_\_\_\_  
572, WIRE TO WIRE  
WIRE TO BOARD

NO. OF CONTACTS: \_\_\_\_\_  
001 - 1 CONTACT  
002 - 2 CONTACTS  
003 - 3 CONTACTS

CONTACT CODE: \_\_\_\_\_  
000 - NO CONTACTS (ONLY FOR CRIMP CONTACTS)  
420 - BOARD MOUNT CONTACTS

STYLE: \_\_\_\_\_  
101 - WHITE MALE HOUSING (ONLY FOR BOARD MOUNT CONTACTS)  
301 - BLUE MALE HOUSING (ONLY FOR BOARD MOUNT CONTACTS)  
100 - WHITE MALE HOUSING FOR CRIMP CONTACTS  
300 - BLUE MALE HOUSING FOR CRIMP CONTACTS  
200 - WHITE FEMALE HOUSING FOR CRIMP CONTACTS  
400 - BLUE FEMALE HOUSING FOR CRIMP CONTACTS

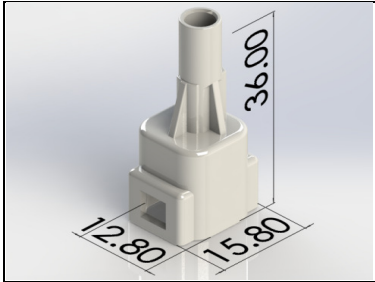
### Assembly Layout



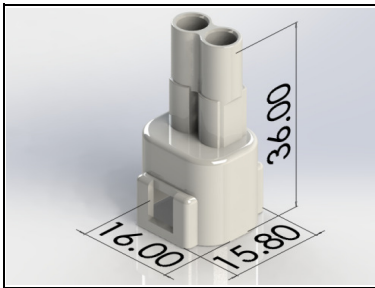
### Wire to Wire / Wire to Board 5.8mm Pitch

#### Male Housing:

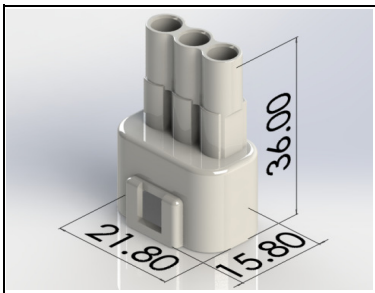
572-001-000-XXX



572-002-000-XXX

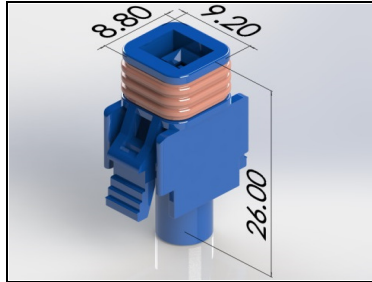


572-003-000-XXX

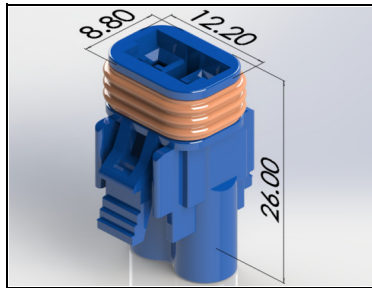


#### Female Housing:

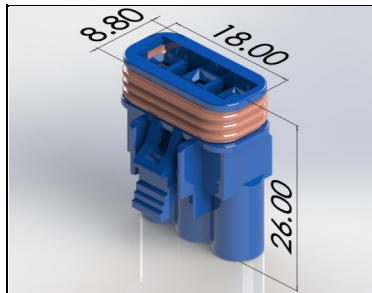
572-001-000-YYY



572-002-000-YYY

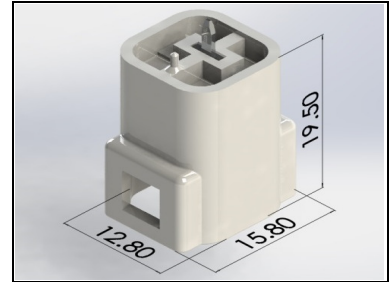


572-003-000-YYY

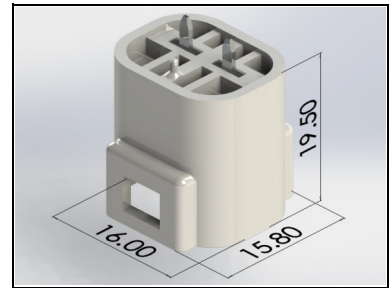


#### PCB Header

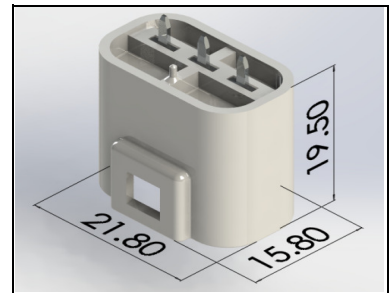
572-001-420-XXX



572-002-420-XXX



572-003-420-XXX



#### Male Housing:

Housing Color	XXX
White	100
Blue	300

#### Female Housing:

Housing Color	YYY
White	200
Blue	400

#### PCB Header

Housing Color	XXX
White	101
Blue	301