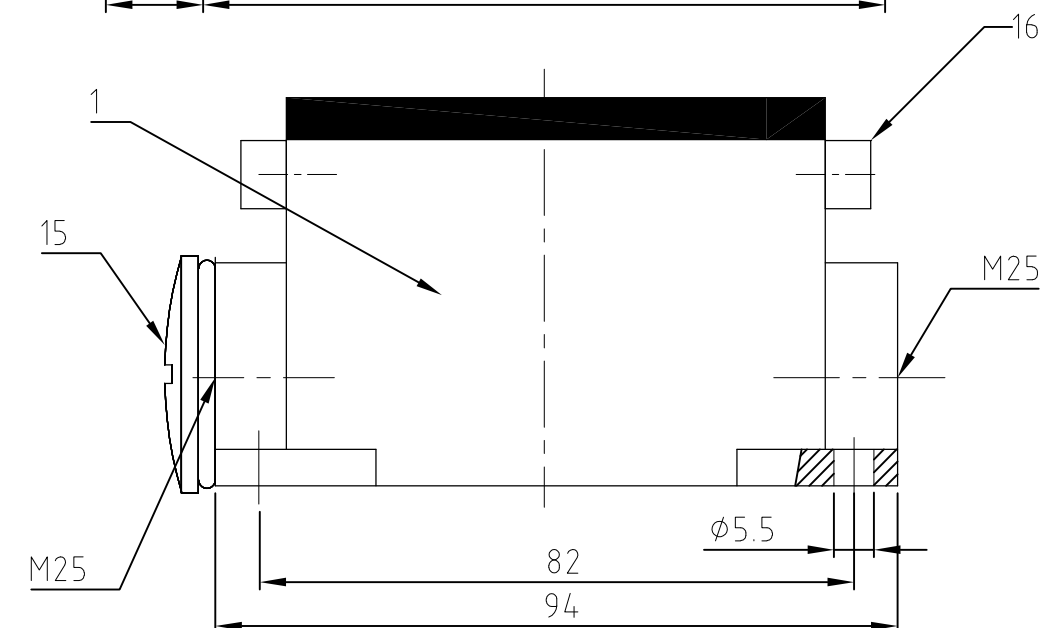
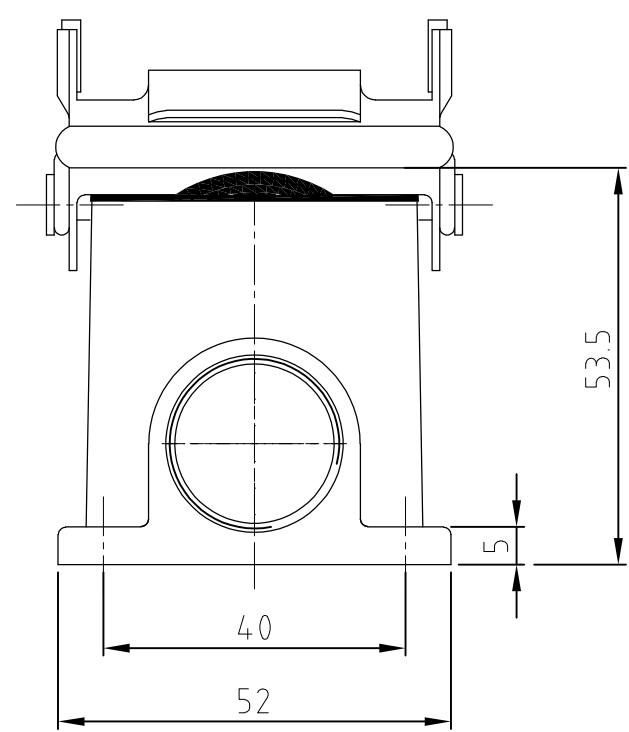
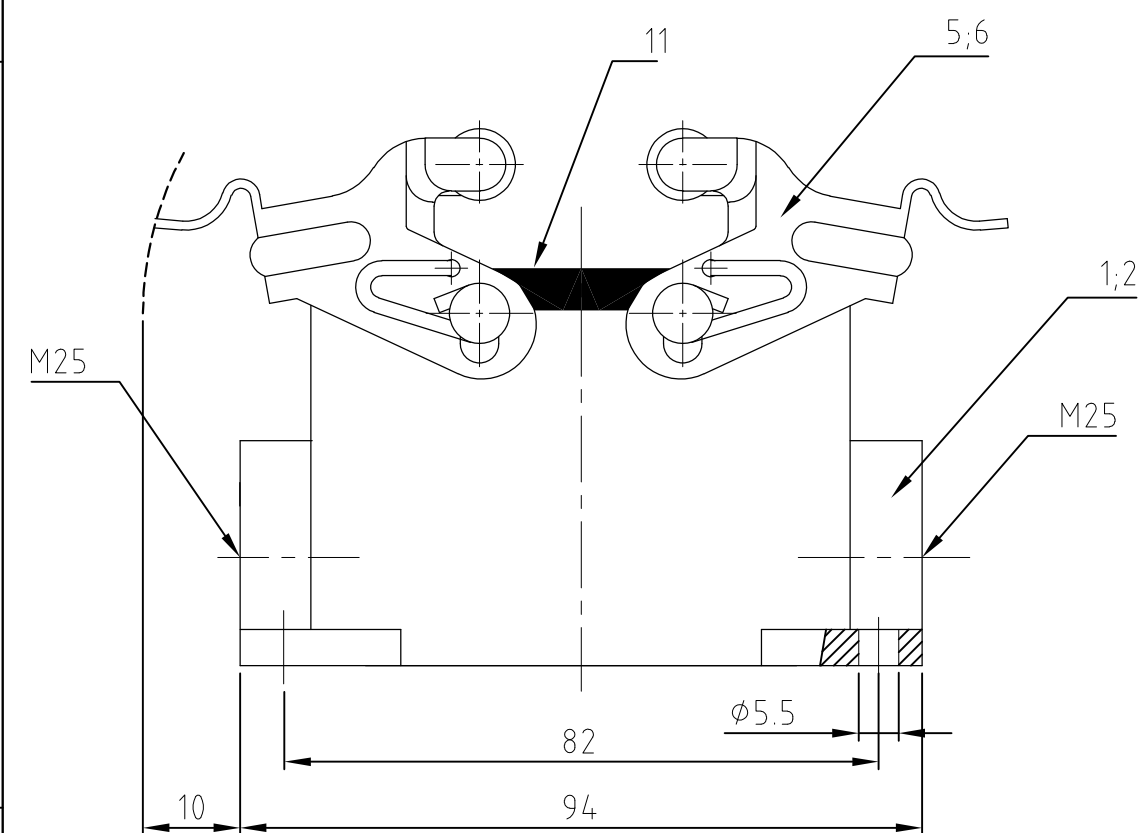
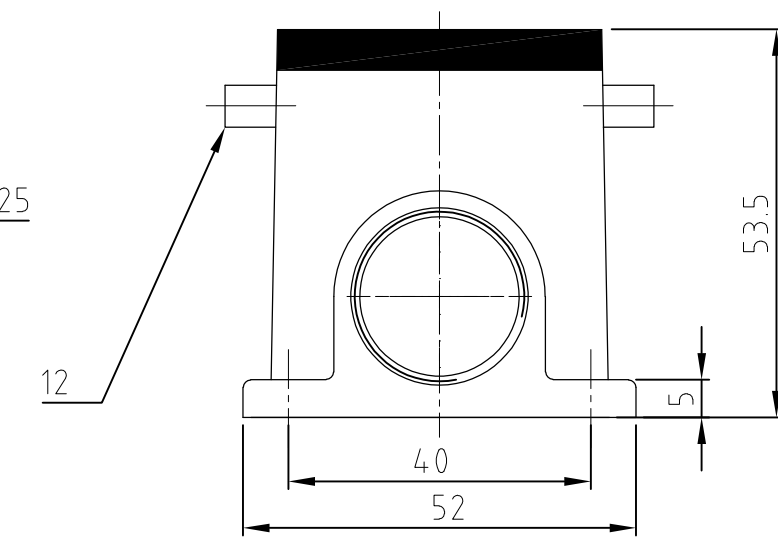
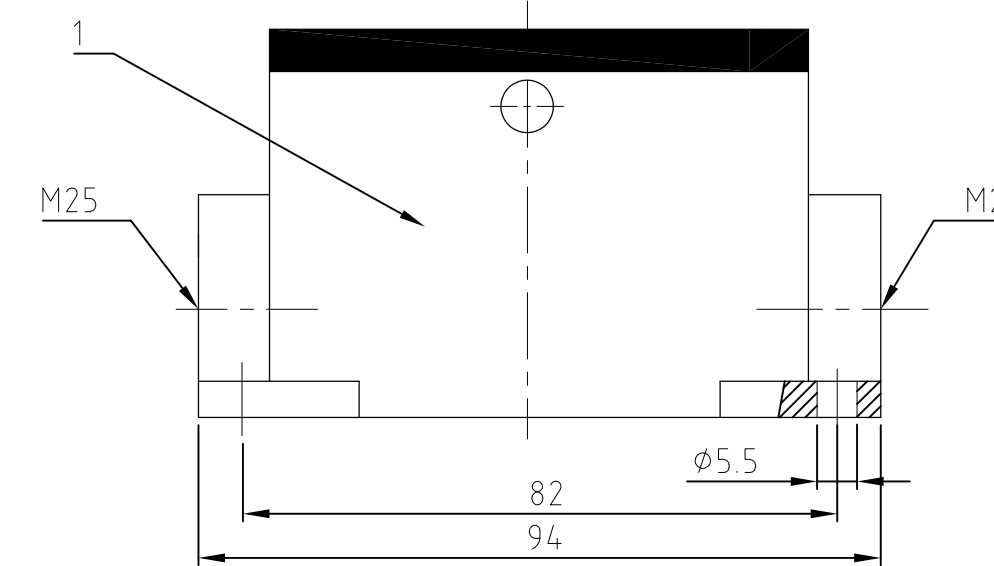
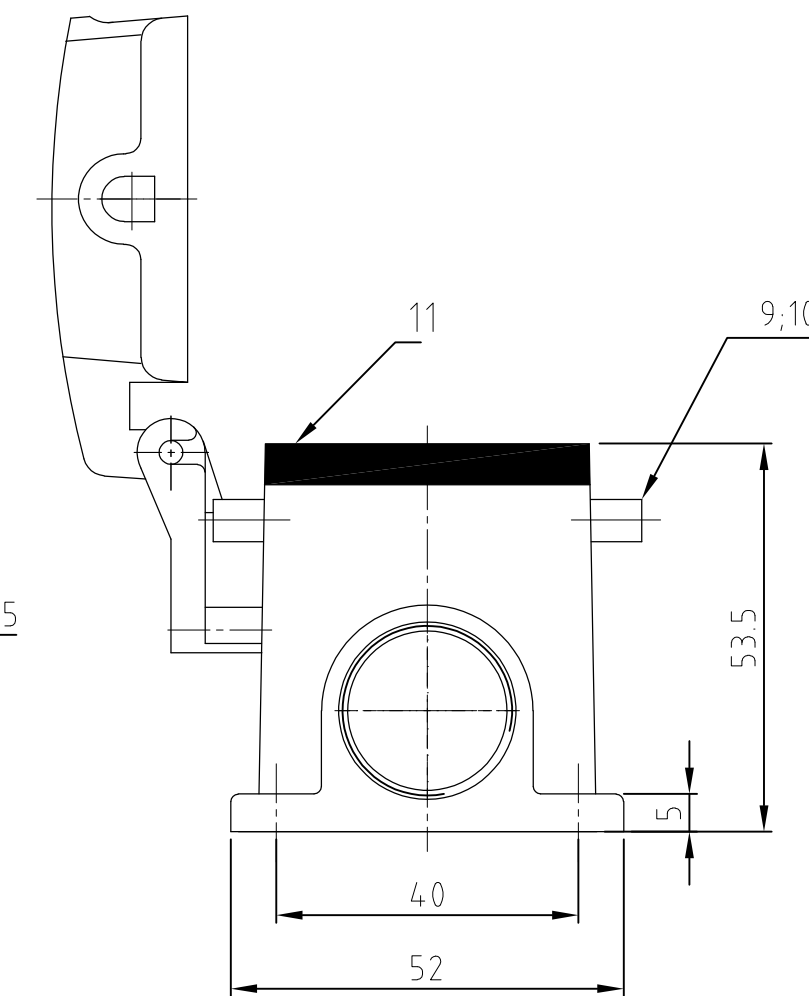
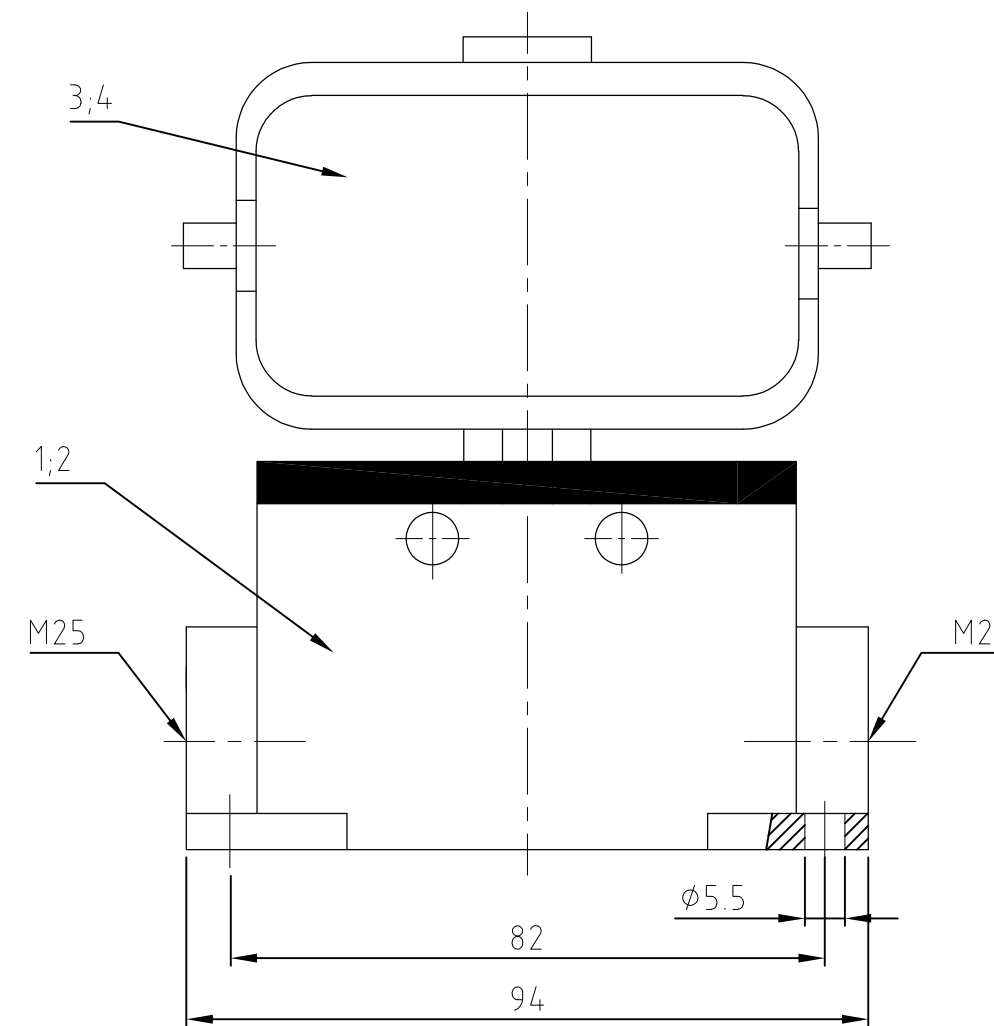
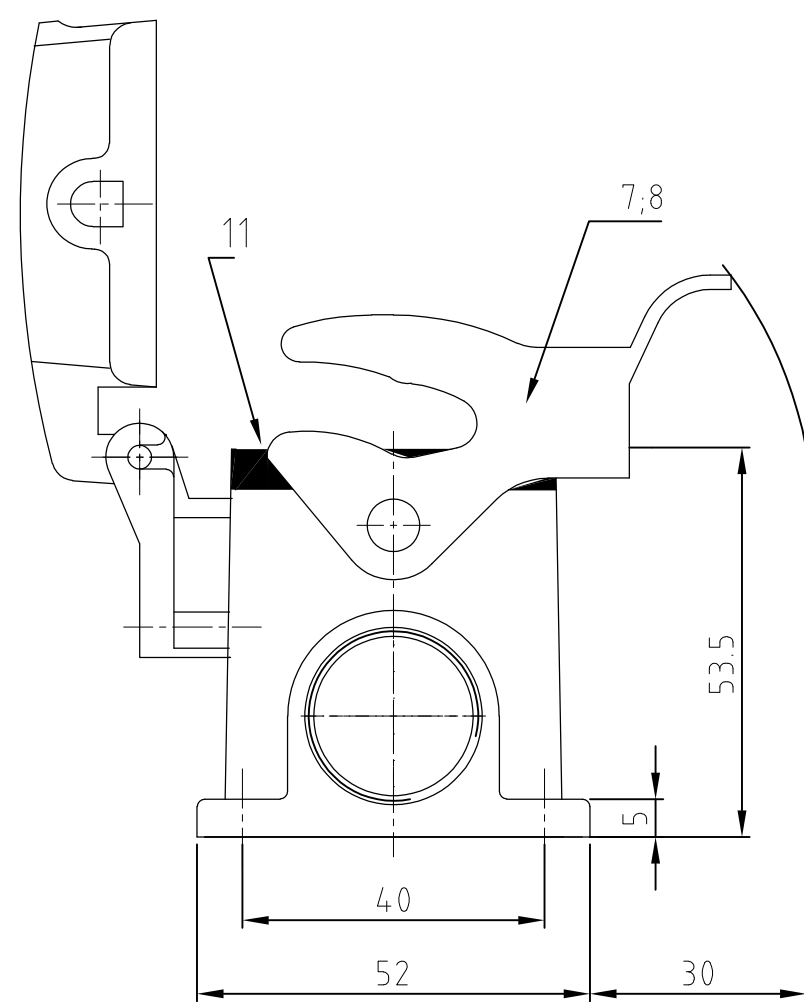
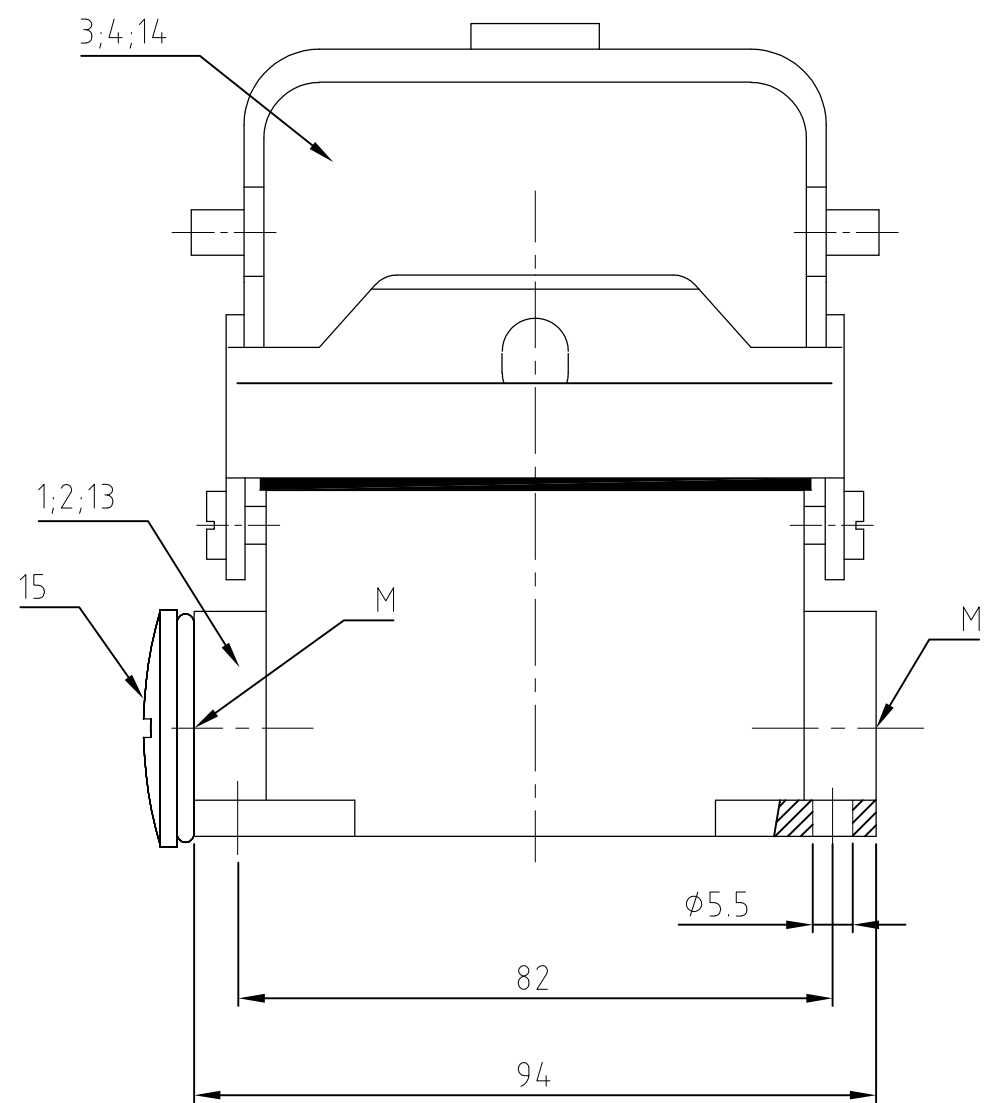


LOC	DIST	REVISIONS			
P	LTR	DESCRIPTION	DATE	DWN	APVD
A6		Text fo packaging corrected ECR-08-002560	29.01.08	SR	ST



NOTES:

- 1 Material: Housing: aluminium diecasting alloy
Seals: NEOPRENE
- 2 SURFACE: VARNISH- GREY
- ALUMINIUM OXID +
VARNISH BLACK
- 3 PACKAGING:
PACKAGING QUANTITY: 5 PIECES
- 4 SPECIAL PACKAGING: Krauss-Maffei
PACKAGING UNIT: 70 PIECES IN Krauss-Maffei-Box
- 5 VARNISH ON THE INSIDE NOT NECESARILY
- 6 BLANKING PIECE:
ALWAYS IN COMBINATION WITH M5 THREADED CLIP BOLT

QTY	DESCRIPTION / BENENNUNG	MATERIAL	SURFACE/OBERFLÄCHE	COLOR/FARBE	ITEM NO. POS.	REMARKS / BEMERKUNGEN
2	clip bolt	steel		zink plated	16	M5
1	blanking piece	brass		nickel plated	15	lose beigelegt
1	cover	Aluminium/Alu		grau	14	without logo
1	surface mounted housing side entry	Aluminium/ALU		grau	13	without logo
	slide spool	stainless steel			12	
1	profile seal	Neoprene		black	11	
	clip bolt	stainless steel			10	
	clip bolt	steel		zink plated	9	
	side clip	stainless steel			8	
1	side clip	steel		zink plated	7	
	locking clip	stainless steel			6	
	locking clip	steel		zink plated	5	
	cover	Aluminium/Alu		HC	4	schwarz
	cover	Aluminium/ALU			3	grau
	surface mounted housing side entry	Aluminium/Alu		HC	2	schwarz
	surface mounted housing side entry	Aluminium/ALU			1	grau

ITEM NO.	DESCRIPTION / BENENNUNG	MATERIAL	SURFACE/OBERFLÄCHE	COLOR/FARBE	ITEM NO. POS.	REMARKS / BEMERKUNGEN
1-4	HB.10.SG-LB.2.M25.Z+BS					
1-3	HB.10.SGD-LB.2.M25.Z+BS					
1-2	HB.10.SG-LB.2.M20.Z					
1-1	HB.10.SG-VS.2.M25.Z.KM					
0-9	HB-K/7.10.SG-ZVGR.2.M25.Z					
0-7	HB-K.10.SG-LB.2.M25.Z					
0-6	HB.10.SG-LB.2.M25.Z					
0-5	HB-K.10.SGD-LB.2.M25.Z					
0-4	HB-K.10.SG-VS.2.M25.Z					
0-3	HB.10.SG-VS.2.M25.Z					
0-2	HB-K.10.SGD-LB.2.M25.Z					
0-1	HB-K.10.SGD.2.M25.Z					

THIS DRAWING IS A CONTROLLED DOCUMENT FOR AMP INCORPORATED. IT IS SUBJECT TO CHANGE AND THE CONTROLLING ENGINEERING ORGANIZATION SHOULD BE CONTACTED FOR THE LATEST REVISION.

DIMENSIONS: mm

TOLERANCES UNLESS OTHERWISE SPECIFIED: ALLGEMEINTOLERANZEN: ISO 8015, ISO 2768, DIN 16901 - 14.0

ORDERING TEXT/BESTELLTTEXT

MATERIAL FINISH

APVD: Schneider 28.05.02, Schweiger 28.05.02

PRODUCT SPEC, APPLICATION SPEC, WEIGHT, CUSTOMER DRAWING

HTS Elektrotechnik
53819 Neunkirchen, Germany

Surface mounted housing side entry
Sockelgehäuse HB.10.SG.2.M25.Z

SIZE: A2, CAGE CODE: 00779, DRAWING NO: C=1106429

RESTRICTED TO: -

1 OF 1 REV A6