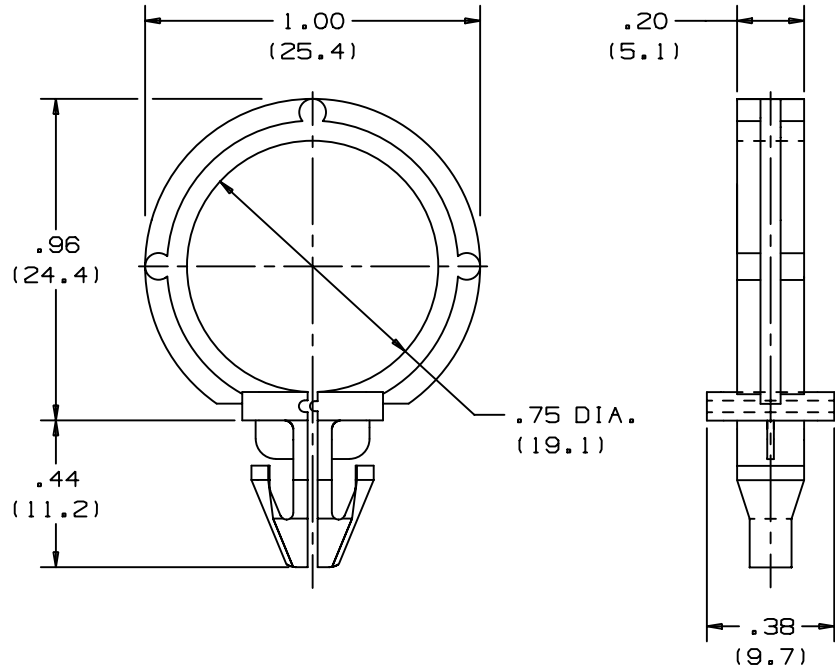


THIS COPY IS PROVIDED ON A RESTRICTED BASIS AND IS NOT TO BE USED IN ANY WAY DETRIMENTAL TO THE INTERESTS OF PANDUIT CORP.



PANDUIT PART NUMBER	MAXIMUM CABLE DIAMETER	PANEL DIMENSIONS		WEIGHT LBS./100 PCS. (g)
		THICKNESS	HOLE SIZE	
SICH75	.75 (19.1)	.03/.10 (0.8/2.5)	.250 (6.4)	.24 (110)

NOTES:

- ① SEE CURRENT PRICE SHEET FOR PART NUMBER SUFFIX DESIGNATION FOR PACKAGE SIZE AND PART COLOR.

(DIMENSIONS IN PARENTHESES ARE METRIC)

CAD FILENAME/LAYERS G00239JO_PB_SICH75_00

PANDUIT

CORP. TINLEY PARK, ILLINOIS

SNAP-IN CLIP
SICH75

UNLESS OTHERWISE SPECIFIED,
DIMENSIONAL TOLERANCES ARE:
(.X) ± N/A (.XXX) ± .010 (.25)
(.XX) ± .02 (.5) ANGLES ± N/A

UNLESS OTHERWISE SPECIFIED,
ALL DIMENSIONS ARE GIVEN
IN INCHES, THIRD ANGLE PROJECTION.

DRAWN BY LGG

MAT'L:

SCALE 2/1

DATE 9/4/02

NYLON 6/6

DRAWING NO.

GB0239JO

DWG
SIZE
A

REV	DATE	BY	CHK	DESCRIPTION	ECN	R	CUST	SUP
R	9/4/02	LGG		INITIAL RELEASE, REPLACED G-01546	GB0239JO	R		