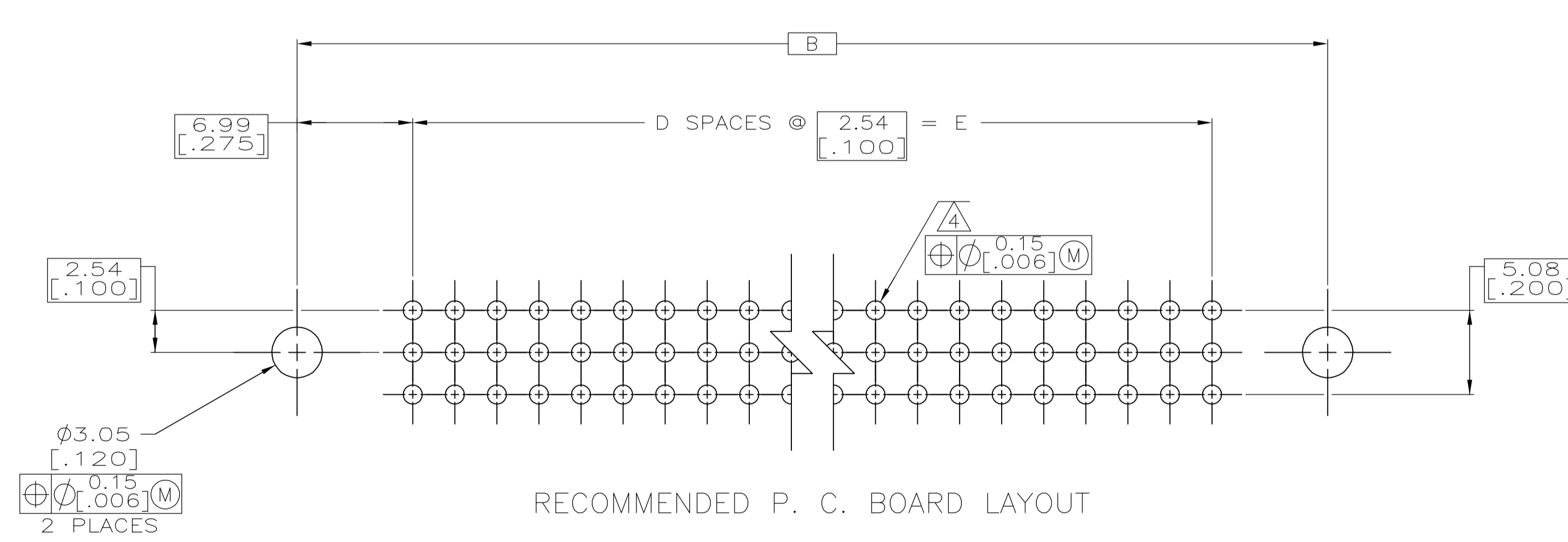
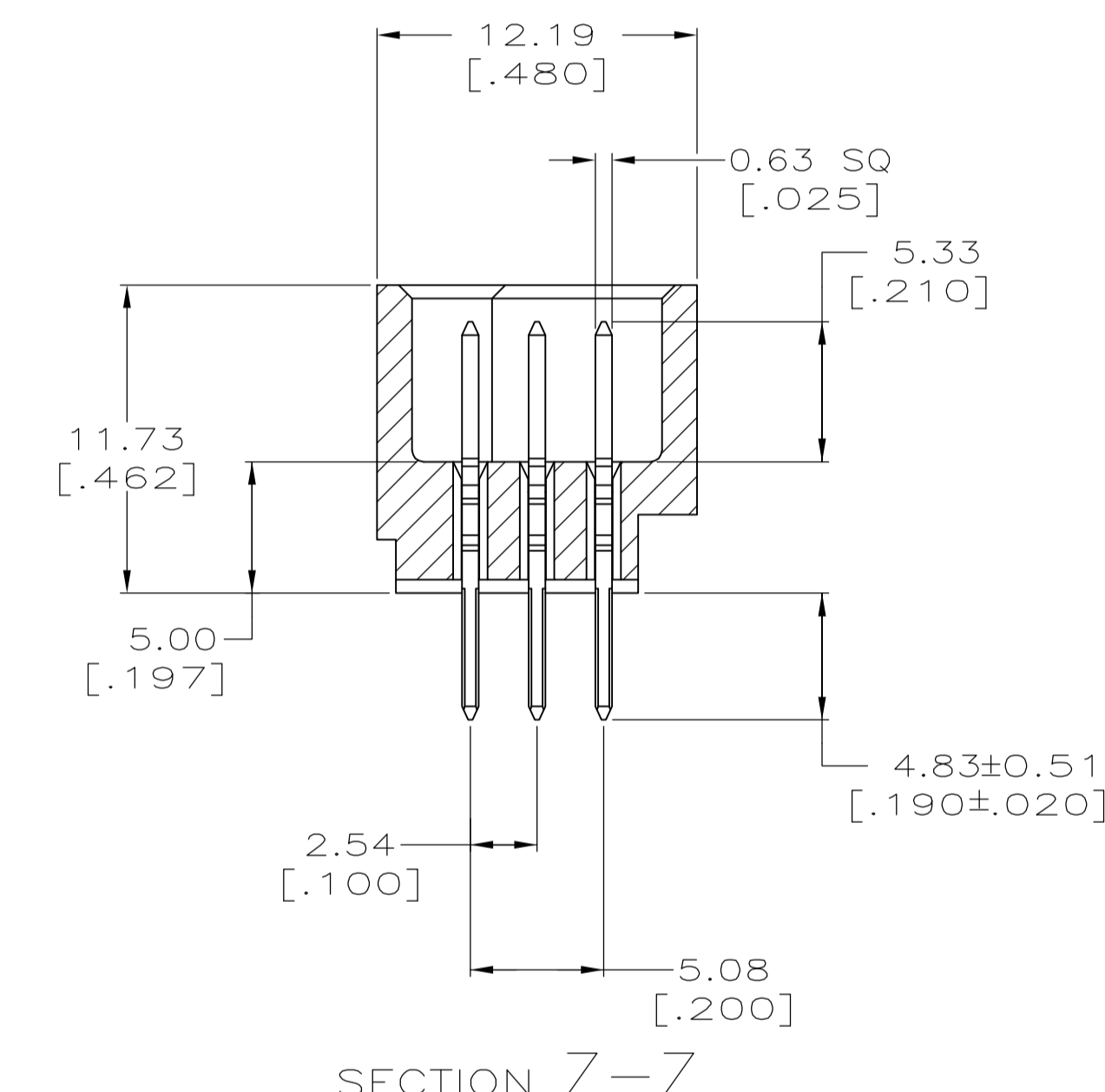
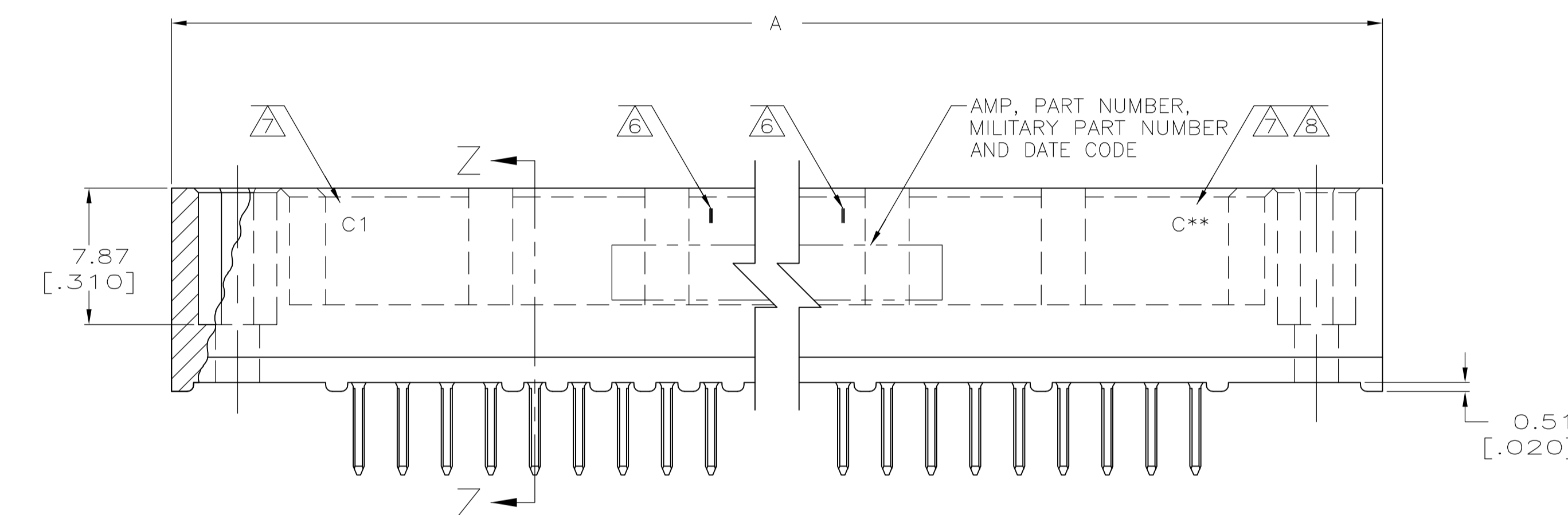


- 1 HOUSING MATERIAL: THERMOPLASTIC, COLOR-NATURAL.
- 2 CONTACT MATERIAL: PHOSPHOR BRONZE.
- 3 CONTACT FINISH: .00127-.00254 [.000050-.000100] NICKEL UNDERPLATE ALL OVER; 0.00127 [.000050] GOLD PLATE IN CONTACT AREA, TIN-LEAD PLATED POSTS.
- 4 SOLDER PIN POST RECOMMENDED P.C. BOARD HOLE SIZES ARE 0.94-1.09 [.037-.043]; RECOMMENDED PAD DIA IS 1.52 [.060].
- 5 HOUSINGS WITH CENTER MOUNTING IS RECOMMENDED FOR ASSEMBLIES HAVING 75 CONTACTS PER ROW OR MORE.
- 6 MARKED EVERY TENTH POST POSITION.
- 7 MARKED ROW C AND FIRST-LAST POSITION IDENTIFICATION.
- 8 TOTAL NUMBER OF POSITIONS PER ROW **.



	124.46 [4.900]	49	128.27 [5.050]	138.43 [5.450]	146.05 [5.750]	150	M55302/176-60B	533911-4
PART NUMBER NOT RELEASED	-	-	-	-	-	-	-	533911-3
	78.74 [3.100]	31	82.55 [3.250]	92.71 [3.650]	100.33 [3.950]	96	M55302/176-24B	533911-2
PART NUMBER NOT RELEASED								533911-1
	E	D	C	B	A	NUMBER OF POSITIONS	MILITARY PART NUMBER	PART NUMBER

THIS DRAWING IS A CONTROLLED DOCUMENT.

DIMENSIONS: mm [INCHES]	TOLERANCES UNLESS OTHERWISE SPECIFIED:	DIN T. SHUEY 5-5-94	Tyco Electronics Corporation Harrisburg, PA 17105-3608
Ø 0.15 ± .006 M	0 PLC ± -	CHK G. SKIPPER 5-19-94	
1 PLC ± -	1 PLC ± -	APVD G. SKIPPER 5-19-94	NAME PIN ASSEMBLY, HDI, 3 ROW, W/4.83 [.190] LONG SOLDER TAILS AND 0.00127 [.000050] GOLD PLATE
2 PLC ± -	2 PLC ± -	PRODUCT SPEC	
3 PLC ± 0.13 [.005]	3 PLC ± -	APPLICATION SPEC	SIZE CAGE CODE DRAWING NO RESTRICTED TO
4 PLC ± -	4 PLC ± -	WEIGHT	A1 00779 C=533911
ANGLES ± -	FINISH	CUSTOMER DRAWING	SCALE 4:1 SHEET 1 OF 1 REV C1