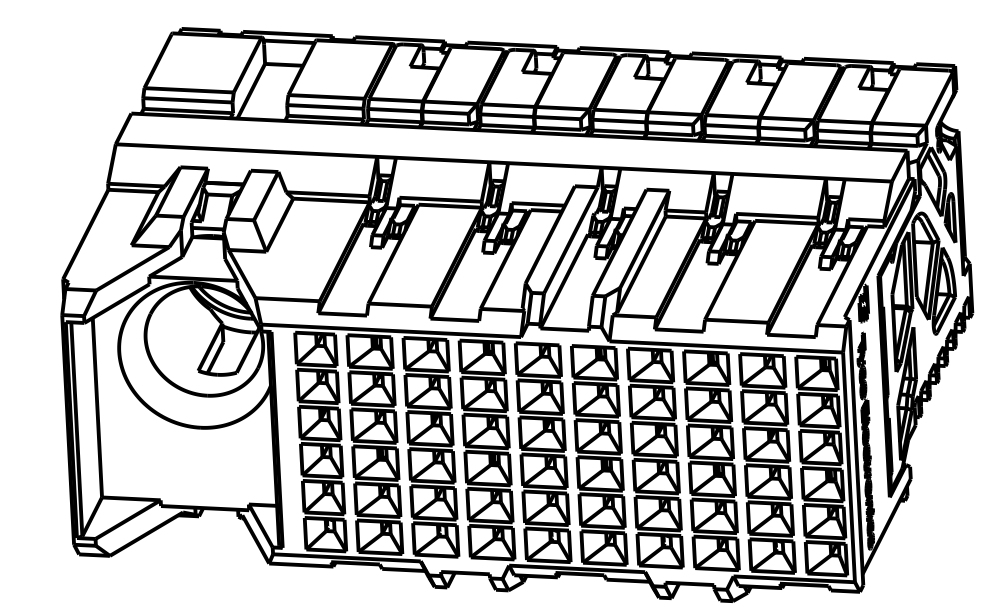
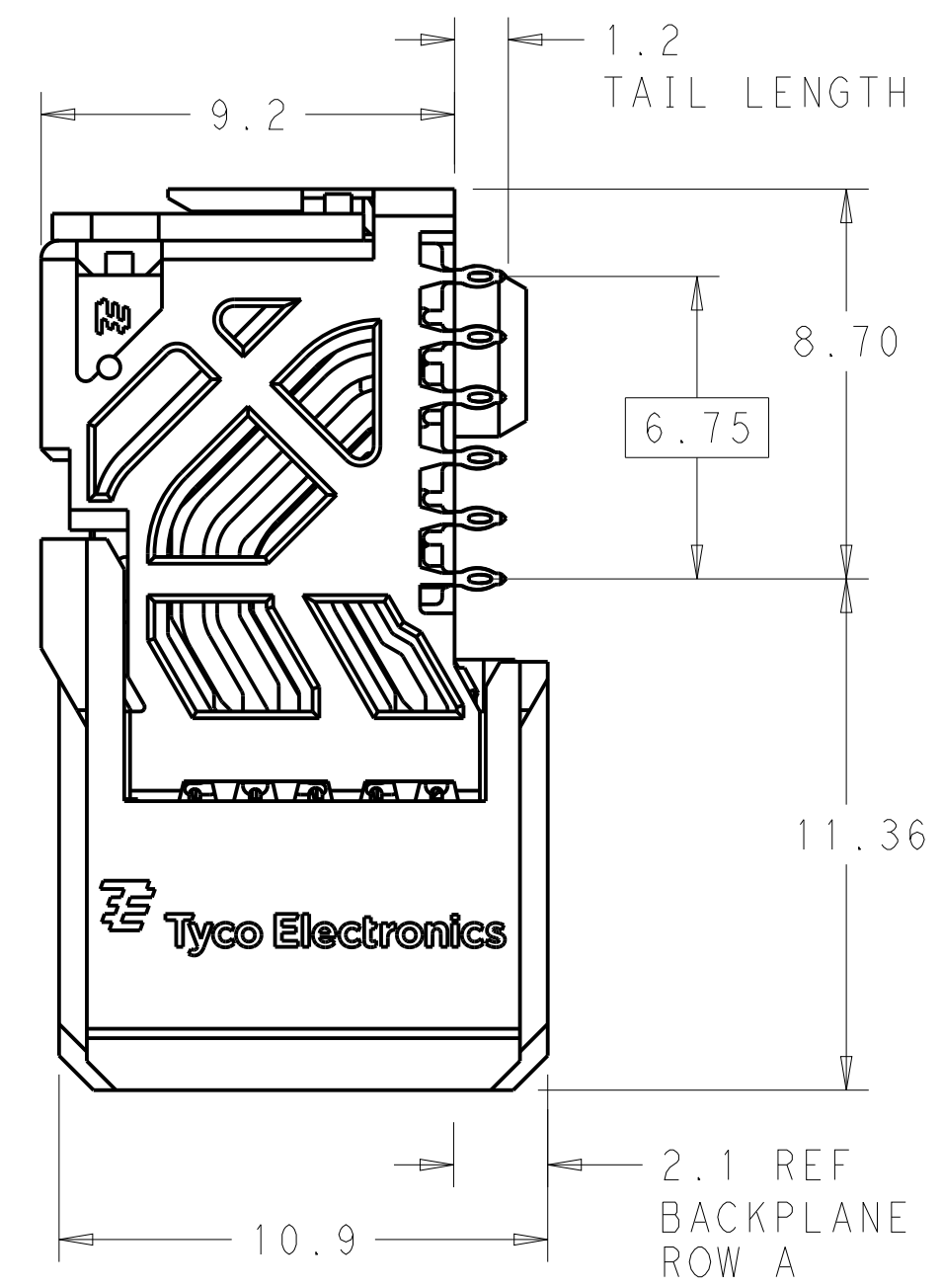
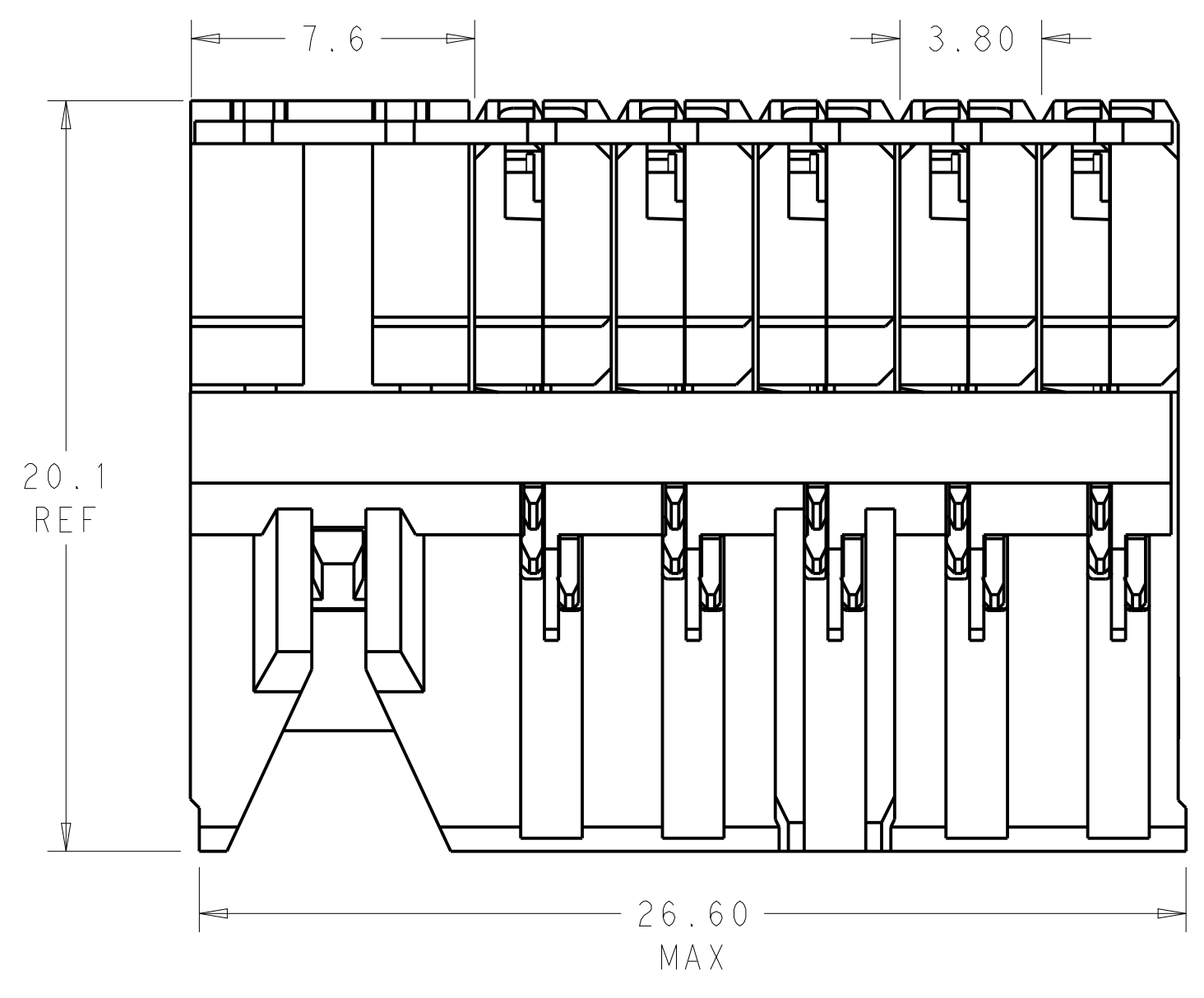
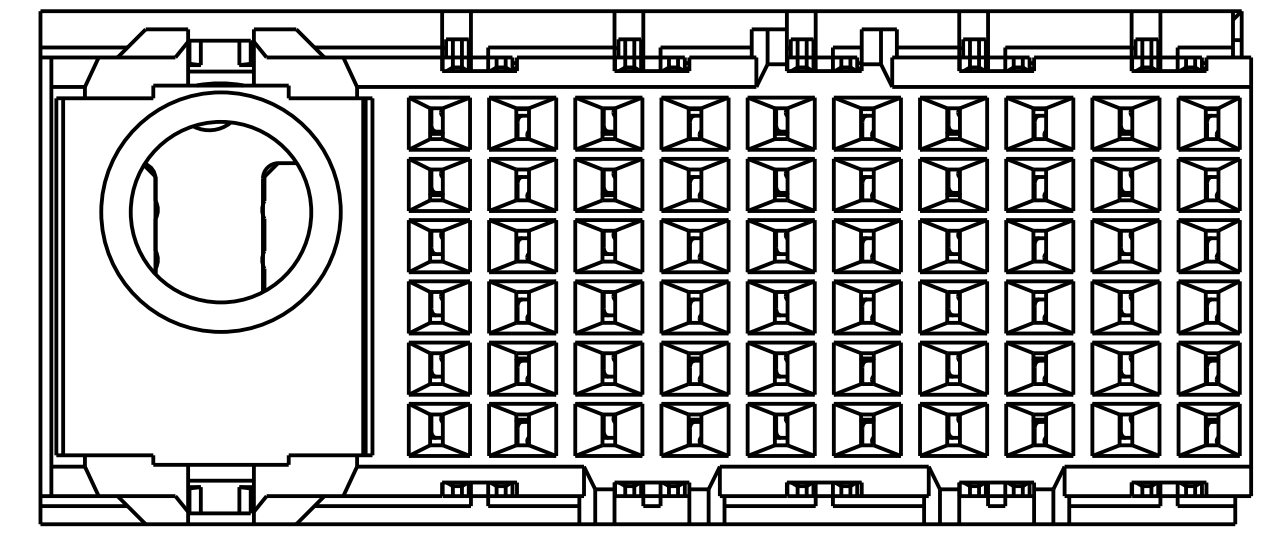


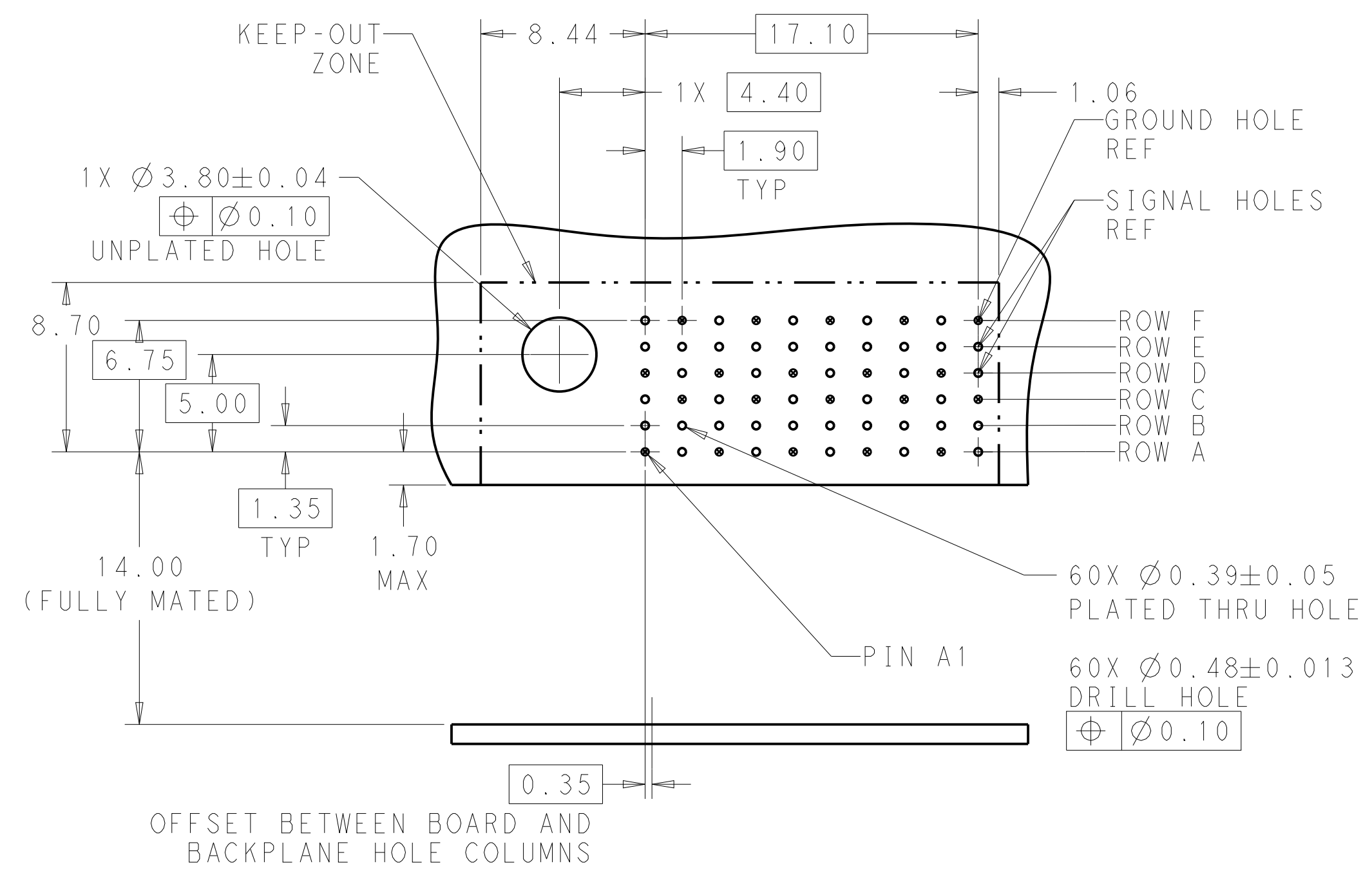
REVISIONS				
P.	LTN.	DESCRIPTION	DATE	APVD.
B1		REVISED PER ECO-14-017984	01DEC2014	AP DD



SCALE 4:1



REFER TO WWW.TE.COM FOR PRODUCT AVAILABILITY



RECOMMENDED PCB LAYOUT  
MIN BOARD THICKNESS 1.6

NONE	△	2057403-1
KEY POSITION	FINISH	PART NUMBER

THIS DRAWING IS A CONTROLLED DOCUMENT.		DWN Z. MILLER 19AUG2010		NAME IMPACT, STD, R/A, 2 PAIR, 10 COLUMN, DAUGHTERCARD, LEFT GUIDED SIGNAL MODULE, 0.39 EYELET
DIMENSIONS:		CHK D. DIXON 19AUG2010		
TOLERANCES UNLESS OTHERWISE SPECIFIED:		APVD D. DIXON 19AUG2010		
mm		PRODUCT SPEC		
0 PLC ± 1 PLC ±0.2 2 PLC ±0.10 3 PLC ± 4 PLC ± ANGLES ±		APPLICATION SPEC	SIZE	RESTRICTED TO
MATERIAL		WEIGHT	A100779C=2057403	
FINISH		Customer Drawing	SCALE 6:1	SHEET 1 OF 1
SEE TABLE				REV B1