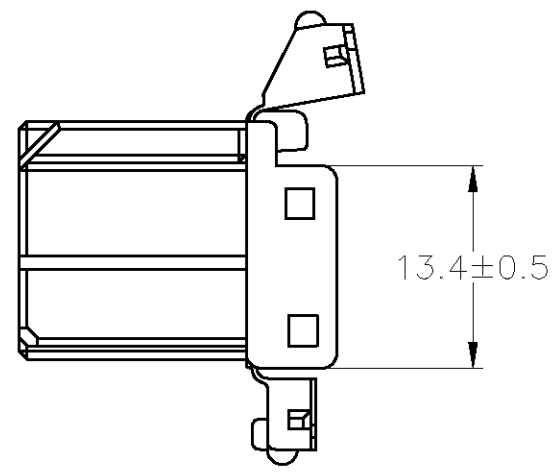
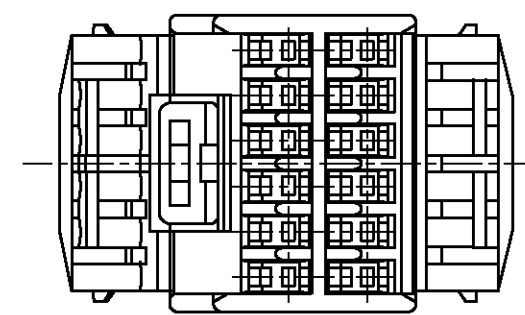
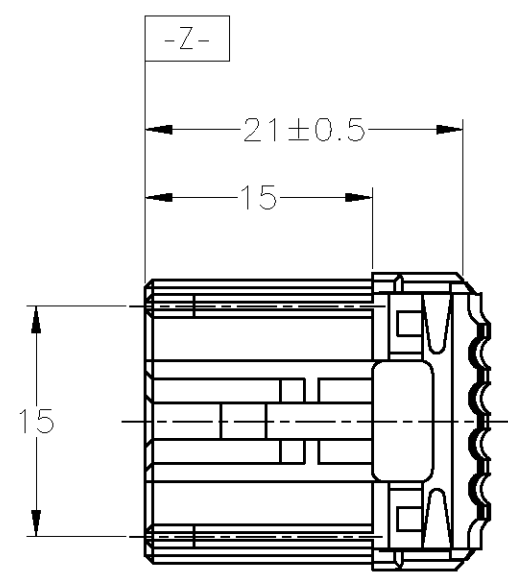
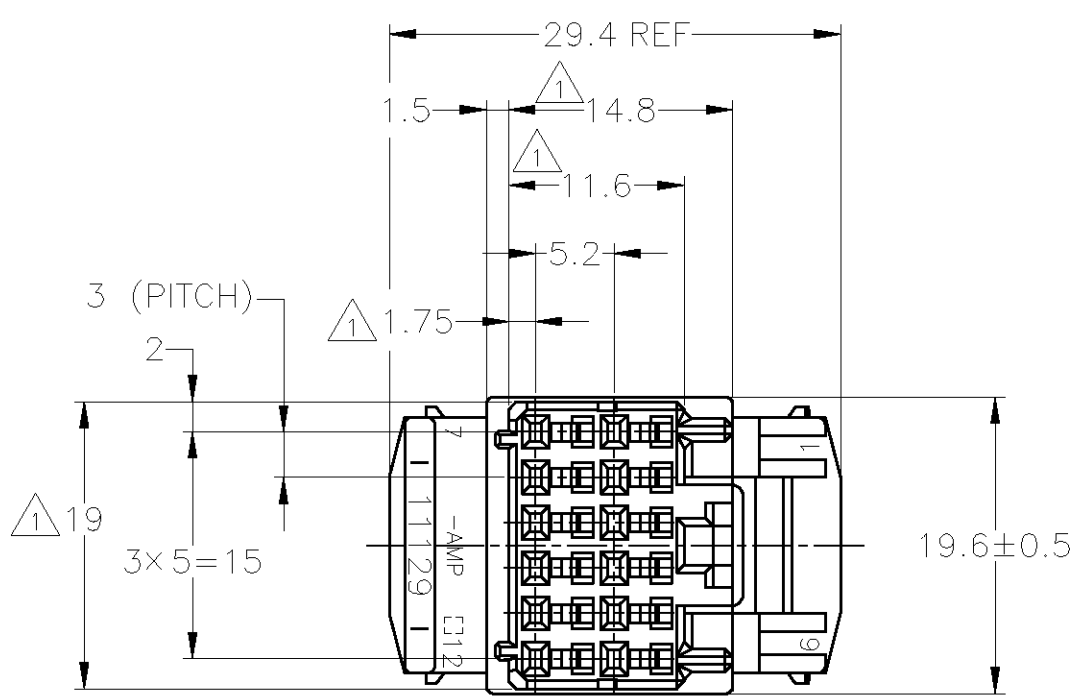


THIS DRAWING IS UNPUBLISHED. RELEASED FOR PUBLICATION  
 © COPYRIGHT BY TYCO ELECTRONICS CORPORATION. ALL INTERNATIONAL RIGHTS RESERVED.

LOC	DIST	REVISIONS					
J	—	P	LTR	DESCRIPTION	DATE	DWN	APVD
		E3	REVISED	ECR-10-017285	06SEP10	TS	KB



- ① MUST BE KEPT BETWEEN [-Z-] AND 2mm
  - 2. THE MATING CAP HOUSING PART NUMBER; 174915
  - 3. APPLIED CONTACT PART NUMBER; 173716, 175094
  - 4. APPLICABLE PRODUCT SPEC NO. 108-5280
- 
- ① [-Z-] 面より 2mm の範囲で測定。
  - 2. 嵌合相手ハウジング型番; 174915
  - 3. 内装するリセプタクルコンタクト型番; 173716, 175094
  - 4. 適用製品規格番号; 108-5280

淡灰色 LIGHT GRAY	6-174913-6
黄色 YELLOW	174913-7
灰色 GRAY	174913-6
黒色 BLACK	174913-2
白色 WHITE	174913-1
色 COLOR	PART NUMBER

TOLERANCE UNLESS OTHERWISE SPECIFIED: 一般公差	
0 < x ≤ 10	: ±0.2
10 < x ≤ 30	: ±0.25
30 < x ≤ 100	: ±0.3
ANGLE ; 角度	: ±3°

THIS DRAWING IS A CONTROLLED DOCUMENT.		DWN T.SHINOHARA 25JUN03		Tyco Electronics Corporation Kawasaki, Japan	
DIMENSIONS: 単位: 耗 mm		CHK K.BETSUI 25JUN03			
TOLERANCES UNLESS OTHERWISE SPECIFIED: 一般公差		APVD K.BETSUI 25JUN03		NAME 名称	
		PRODUCT SPEC 製品規格		12POSITION PLUG HOUSING HYBRID I/O CONNECTOR	
MATERIAL 材料 PBT		FINISH 仕上 SEE TABLE		APPLICATION SPEC 取付適用規格	
		WEIGHT 4.04g		SIZE A3	
		CUSTOMER DRAWING		CAGE CODE 00779	
				DRAWING NO 番号 C-174913	
				RESTRICTED TO	
				SCALE 尺度 2:1	
				SHEET 1 OF 1	
				REV E3	