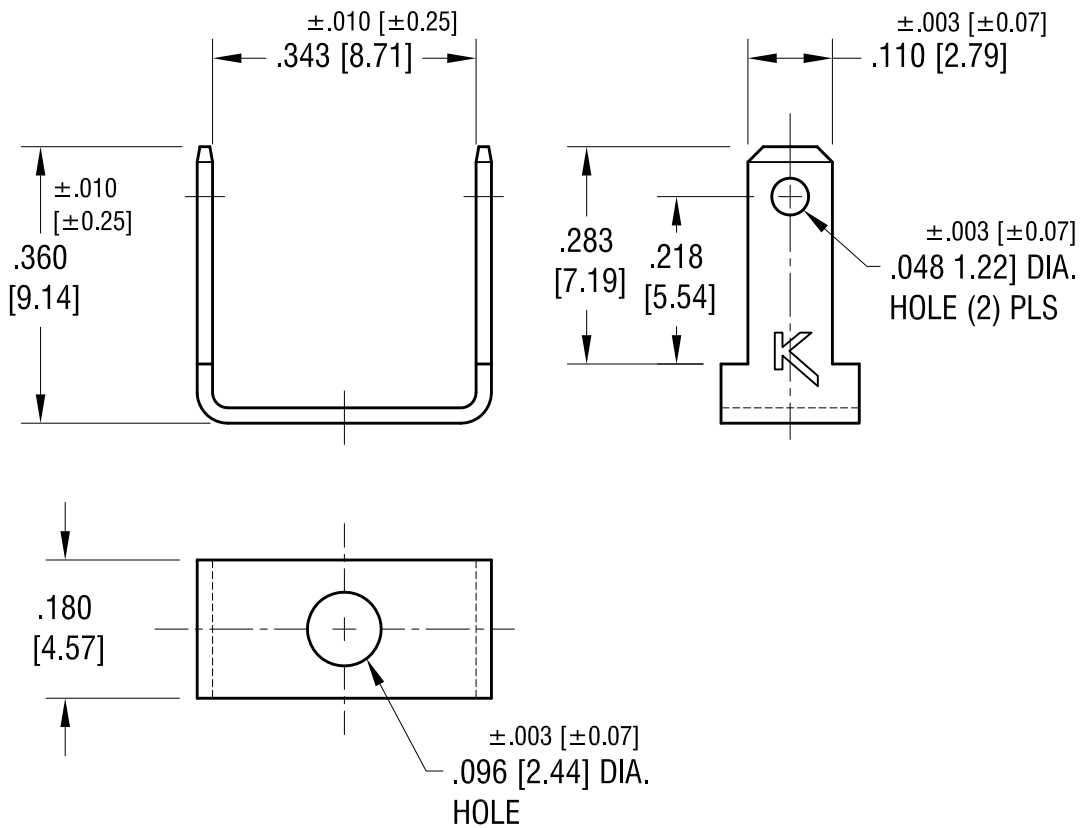


THIS DOCUMENT IS THE PROPERTY OF
KEYSTONE ELECTRONICS CORP. AND
SHALL NOT BE REPRODUCED, DISTRIBUTED
OR USED AS A BASIS FOR MANUFACTURE
WITHOUT PRIOR WRITTEN PERMISSION
FROM KEYSTONE ELECTRONICS CORP.

ACTUAL SIZE



KEYSTONE ELECTRONICS CORP.

www.keyelco.com • ASTORIA, N.Y. 11105-2017 • Tel (718) 956-8900

PART NAME
.110 QUICK-FIT TERMINAL

MATERIAL
.020 [0.50] TH'K BRASS

FINISH BRIGHT BRASS	DRN BY BOONE	DATE 4.15.96
	APP'D LN	SCALE 4X

TOLERANCES	INCH [MM]	CODE	DWG NO.
DECIMAL	$\pm .005$ [± 0.15]	C	2003
ANGULAR	$\pm 1^\circ$		
UNLESS OTHERWISE SPECIFIED			

8.23.12	CHANGE AS PER ECN 12-115	B
4.12.01	CHANGE AS PER ECN 01-023	A
DATE	DESCRIPTION	REV.