

1. 製品名称／PRODUCT NAME : 0.5 FPC CONN. ZIF HS'G ASS'Y EMBOSSED TAPE PACKAGING

製品番号／PART NUMBER : 5 4 1 0 4 - * * 3 1

5 4 1 0 4 - * * 3 3

5 4 1 0 4 - * * 8 1

5 4 1 0 4 - * * 9 2

5 4 1 0 4 - * * 9 8

(* * は極数を示す)

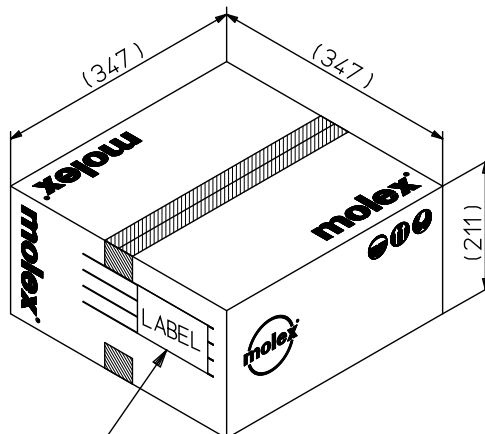
(* * IS CIRCUITS SIZE)

2. 標準梱包数／STANDARD PACKAGING QUANTITY

極 数 CKT. SIZE	キャリア テープ幅 (mm) CARRIER TAPE WIDTH (mm)	1 リール中の製品数 QTY. PER REEL	外装カートン SHIPPING CARTON	
			梱包リール数 NUMBER OF REELS	製品数 QUANTITY
30	44	1,500	3	4,500
32				
33				
34				
35				
36				
38				
40				
43				
45				
46				
50				

REV.	E									
SHEET	1~2									
REVISE ON PC ONLY				TITLE:						
E	REVISED J2015-1427 2015/04/23 T.NAKAGAWA			5 4 1 0 4 梱包仕様書 SALES PACKAGING SPEC. FOR 54104						
	THIS DOCUMENT CONTAINS INFORMATION THAT IS PROPRIETARY TO MOLEX INC. AND SHOULD NOT BE USED WITHOUT WRITTEN PERMISSION									
REV.	DESCRIPTION			WRITTEN BY: Y.TOKUZONO	CHECKED BY: T.HARUYAMA	APPROVED BY: N.UKITA	DATE: YR/MO/DAY 2009/01/28			
DESIGN CONTROL J				STATUS				DOCUMENT NUMBER SPK-54104-001	FILE NAME SPK54104001.docx	SHEET 1 OF 2
EN-037(2013-04 rev.1)										

3. カートン外形参考寸法 / CARTON OUTER DIMENSIONS (REFERENCE PURPOSE ONLY) 単位 / UNIT: mm



カートンラベル
CARTON LABEL

(製品型番, 数量, ロットNO. 表示)
INDICATION OF PART No., QUANTITY, LOT No.

標準カートン
STANDARD CARTON

E	REVISE ON PC ONLY	TITLE: 5 4 1 0 4 梱包仕様書 SALES PACKAGING SPEC. FOR 54104	
	SEE SHEET 1 OF 2		
REV.	DESCRIPTION	THIS DOCUMENT CONTAINS INFORMATION THAT IS PROPRIETARY TO MOLEX INC. AND SHOULD NOT BE USED WITHOUT WRITTEN PERMISSION	
DOCUMENT NUMBER SPK-54104-001		FILE NAME SPK54104001.docx	SHEET 2 OF 2
EN-037(2013-04 rev.1)			