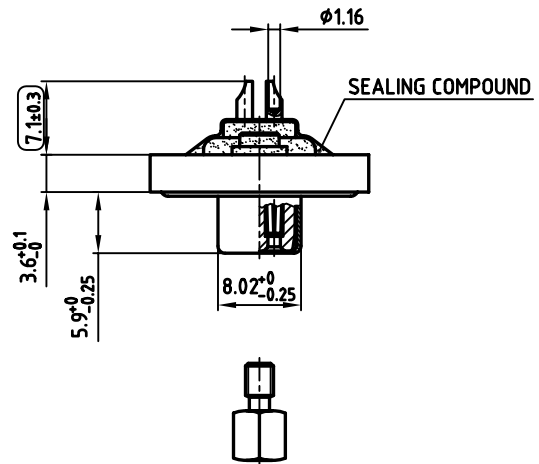
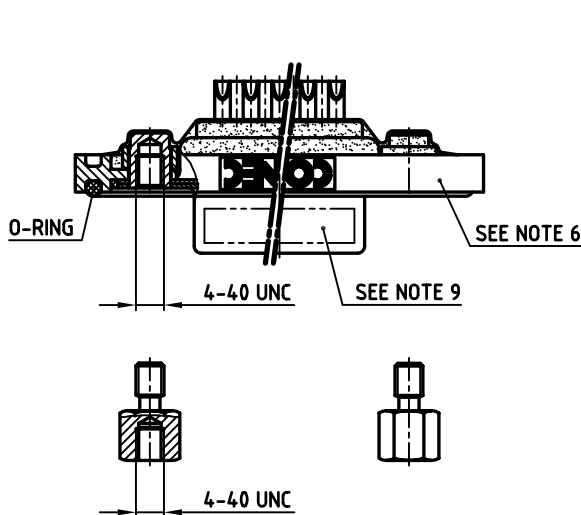
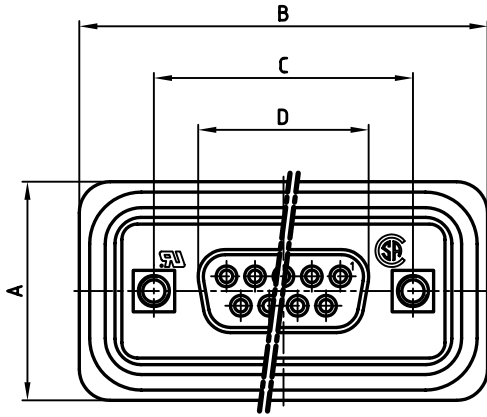


used for: D-SUB

AT ALL TIMES WATER RESISTANT CONNECTORS NOT IN USE SHOULD BE COVERED WITH A CONEC WATER RESISTANT CAP OR WATER TIGHT HOOD.

No. of pos.	A <sup>+0.2</sup>	B <sup>+0.2</sup>	C	D <sup>-0.25</sup>	PART NO.
9	21.1	39.4	25.00 <sup>+0.12</sup> <sub>-0.13</sub>	16.46	6STD09SCM99B30X
15	21.1	47.7	33.30 <sup>+0.15</sup> <sub>-0.1</sub>	24.79	6STD15SCM99B30X
25	21.1	61.4	47.04 <sup>+0.13</sup>	38.50	6STD25SCM99B30X
37	21.1	77.9	63.50 <sup>+0.13</sup>	54.96	6STD37SCM99B30X



**NOTES:**

- METALSHELLS: COPPER ALLOY; min. 320µ" TIN
- INSULATORS: PBT GF UL 94 V-0, BLACK
- CONTACTS: COPPER ALLOY  
PLATING: 30µ" HARD GOLD OVER min. 50µ" NICKEL  
SOLDER CUP ACCEPTS CABLE AWG 20
- THREADED INSERT: COPPER ALLOY; min. 200µ" TIN over 80µ" NICKEL
- COLLAR: COPPER ALLOY; min. 200µ" TIN over 80µ" NICKEL
- FRAME: ZINC DIECAST; NICKEL PLATED
- HEXLOCKING SCREW: STAINLESS STEEL
- MAXIMUM TORQUE VALUE FOR THREAD: 6" LBS
- CONNECTOR IS PART MARKED: PART-NO. CONEC ABC
- = CHECK DIMENSION

Directive 2002/95/EC  
RoHS-  
Compliant

APPROVAL # FREIGABE # DEBLOCAGE # AUTORIZACION # APPROVAL	
CUSTOMER APPROVAL DATE:	
NAME:	TITLE:
COMPANY NAME:	
APPROVAL # FREIGABE # DEBLOCAGE # AUTORIZACION # APPROVAL	

THIS DRAWING MAY NOT BE COPIED OR REPRODUCED IN ANY WAY, AND MAY NOT BE PASSED ON TO A THIRD PARTY, WITHOUT WRITTEN PERMISSION.  
OWNERSHIP AND COPYRIGHT OF CONEC GmbH  
**DO NOT ALTER CAD DRAWING BY HAND**

rev.	description	date	name
a	Origin		

tolerance		
2006	date	
drawn	09.02.	name
appd.	09.02.	Mickenbecker
norm		DIN 41652
d-old		
<b>CONEC</b> <sup>®</sup>		

scale:	2:1	
material:	SEE NOTES	
title:		
<b>D-SUB FEMALE</b> 9-37pos. SOLDER CUP with threaded insert and hexlocking screw		
dwg no:	AutoCAD 2004	DIN-A
	<b>18K1A424</b>	3
		sh: 1/1
part no:	SEE TABLE	