

Flush-type connector - SACC-E-M12MST-4CON-M16/0,5 - 1424140

Please be informed that the data shown in this PDF Document is generated from our Online Catalog. Please find the complete data in the user's documentation. Our General Terms of Use for Downloads are valid (<http://download.phoenixcontact.com>)

Sensor/actuator flush-type plug, 4-pos., front/screw mounting with M16 thread, with 0.5 m PP litz wire, 4 x 1.5 mm²



Key commercial data

Packing unit	0
Minimum order quantity	1
GTIN	 4 046356 693424
Custom tariff number	85366990
Country of origin	GERMANY

Technical data

General data

Rated current at 40°C	12 A
Rated voltage	60 V
Number of positions	4
Volume resistance	≤ 3 mΩ
Insulation resistance	≥ 100 MΩ
Length of cable	0.5 m

General characteristics

Standards/regulations	M12 plug-in connector
Coding	T power
Surge voltage category	III
Pollution degree	3
Degree of protection	IP67
Torque	(M12 plug-in connector)
Contact material	CuZn
Contact surface material	Au
Contact carrier material	PA6
Material, knurls	CuZn alloy, nickel-plated
Sealing material	FKM
Mounting type	Front mounting M16 x 1.5 With flat nut
Connection method	Individual wires
Status display	No

Flush-type connector - SACC-E-M12MST-4CON-M16/0,5 - 1424140

Technical data

General characteristics

Test voltage	1.5 kV
--------------	--------

Conductor data

Cable type	PP litz wire
AWG signal line	16
Wire colors	Black, brown,blue, white, gray
Conductor material	Bare Cu litz wires

Classifications

ETIM

ETIM 4.0	EC002062
ETIM 5.0	EC002062

eCl@ss

eCl@ss 5.1	27143423
eCl@ss 6.0	27143423
eCl@ss 7.0	27449001

Accessories

Accessories

Assembly

Flat nut - SACC-E-MU-M16 - 1504097

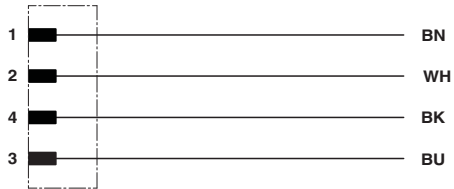


Flat nut with M16 thread

Drawings

Flush-type connector - SACC-E-M12MST-4CON-M16/0,5 - 1424140

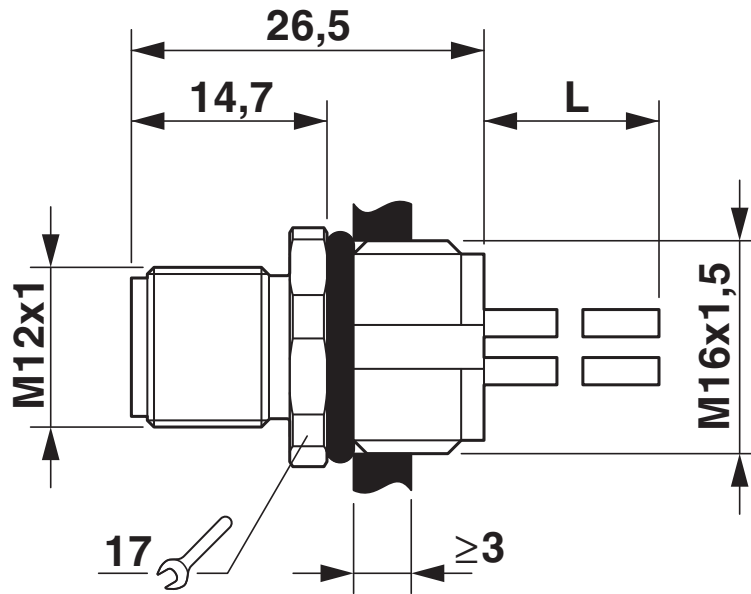
Circuit diagram



Contact assignment of the M12 plug

Flush-type connector - SACC-E-M12MST-4CON-M16/0,5 - 1424140

Dimensioned drawing



Flush-type connector - SACC-E-M12MST-4CON-M16/0,5 - 1424140

Schematic diagram

