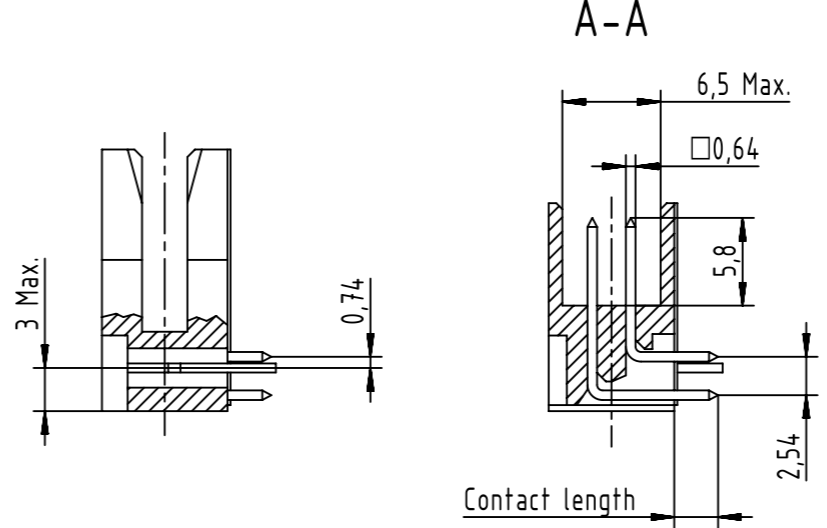
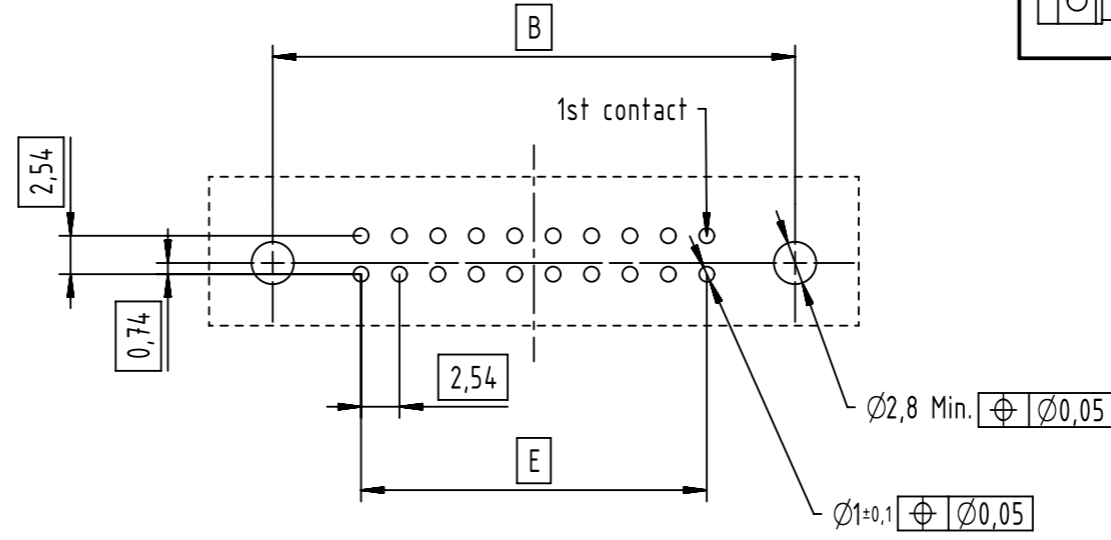


Coding style table	
	Style A: For connector 6 poles
	Style B: For connectors from 10 to 14 poles
	Style C: For connectors from 16 to 64 poles



PC-Board layout
view component side
thickness 1,6 mm




-Find further technical information on drawings:
DS 09181200001 for 09185xxx97x
DS 09191130201 for 09195xxx97x

	All rights reserved	Created by	Inspected by	Standardisation	Date	State	
	Department EC PD - FR	DOUGE	BAGDIKIAN	HOFFMANN	2013-11-07	Final Release	
HARTING Electronics GmbH D-32339 Espelkamp		Title SEK male STD angled with board locks and W/O lever				Doc-Key / ECM-Nr. 100553590/UGD/001/A 50000067148	
		Type	Number	Rev.		Page	
		TB	091X5XXX97X	A		1/2	

1st contact

See tables for coding
feature arrangement and style

Performance Level				Dimensions (mm)					
	PL3 : 50 mating Cycles No Gas Test	PL2 : 250 mating Cycles 4 day Gas Test	S4 : 0,76µm Au or equivalent PdNi		Contact Length ±0,3(mm)	A Max	B	D	E
Nb of Contacts	Part Number	Part Number	Part Number	Solder process					
06	0918 506 7973	0918 506 6973	0918 506 5973	wave Soldering	2,9	27,2	16,76	12,45	2,54 x 2 = 5,08
10	0918 510 7973	0918 510 6973	0918 510 5973			32,3	21,84	17,53	2,54 x 4 = 10,16
14	0918 514 7973	0918 514 6973	0918 514 5973			37,4	26,92	22,61	2,54 x 6 = 15,24
16	0918 516 7973	0918 516 6973	0918 516 5973			39,9	29,46	25,15	2,54 x 7 = 17,78
20	0918 520 7973	0918 520 6973	0918 520 5973			45,0	34,54	30,23	2,54 x 9 = 22,86
24	0918 524 7973	0918 524 6973	0918 524 5973			50,1	39,62	35,91	2,54 x 11 = 27,94
26	0918 526 7973	0918 526 6973	0918 526 5973			52,6	42,16	37,85	2,54 x 12 = 30,48
30	0918 530 7973	0918 530 6973	0918 530 5973			58,0	47,24	43,83	2,54 x 14 = 35,56
34	0918 534 7973	0918 534 6973	0918 534 5973			62,8	52,32	48,01	2,54 x 16 = 40,64
40	0918 540 7973	0918 540 6973	0918 540 5973			70,4	59,94	55,63	2,54 x 19 = 48,26
50	0918 550 7973	0918 550 6973	0918 550 5973			83,1	72,64	68,33	2,54 x 24 = 60,96
60	0918 560 7973	0918 560 6973	0918 560 5973			95,8	85,34	81,03	2,54 x 29 = 73,66
64	0918 564 7973	0918 564 6973	0918 564 5973			100,9	90,42	86,11	2,54 x 31 = 78,74
06	0919 506 7973	0919 506 6973	0919 506 5973	Wave & Reflow Soldering	2,9	27,2	16,76	12,45	2,54 x 2 = 5,08
10	0919 510 7973	0919 510 6973	0919 510 5973			32,3	21,84	17,53	2,54 x 4 = 10,16
14	0919 514 7973	0919 514 6973	0919 514 5973			37,4	26,92	22,61	2,54 x 6 = 15,24
16	0919 516 7973	0919 516 6973	0919 516 5973			39,9	29,46	25,15	2,54 x 7 = 17,78
20	0919 520 7973	0919 520 6973	0919 520 5973			45,0	34,54	30,23	2,54 x 9 = 22,86
24	0919 524 7973	0919 524 6973	0919 524 5973			50,1	39,62	35,91	2,54 x 11 = 27,94
26	0919 526 7973	0919 526 6973	0919 526 5973			52,6	42,16	37,85	2,54 x 12 = 30,48
30	0919 530 7973	0919 530 6973	0919 530 5973			58,0	47,24	43,83	2,54 x 14 = 35,56
34	0919 534 7973	0919 534 6973	0919 534 5973			62,8	52,32	48,01	2,54 x 16 = 40,64
40	0919 540 7973	0919 540 6973	0919 540 5973			70,4	59,94	55,63	2,54 x 19 = 48,26
50	0919 550 7973	0919 550 6973	0919 550 5973			83,1	72,64	68,33	2,54 x 24 = 60,96
60	0919 560 7973	0919 560 6973	0919 560 5973			95,8	85,34	81,03	2,54 x 29 = 73,66
64	0919 564 7973	0919 564 6973	0919 564 5973			100,9	90,42	86,11	2,54 x 31 = 78,74

	All rights reserved	Scale 2:1	Free size tol.	Ref.
	Department EC PD - FR	Created by DOUGE	Inspected by BAGDIKIAN	Sub.
HARTING Electronics GmbH D-32339 Espelkamp	Title SEK male STD angled with board locks and W/O lever			Doc-Key / ECM-Nr. 100553590/UGD/001/A 50000067148
	Type TB	Number 091X5XXX97X	Rev. A	Page 2/2