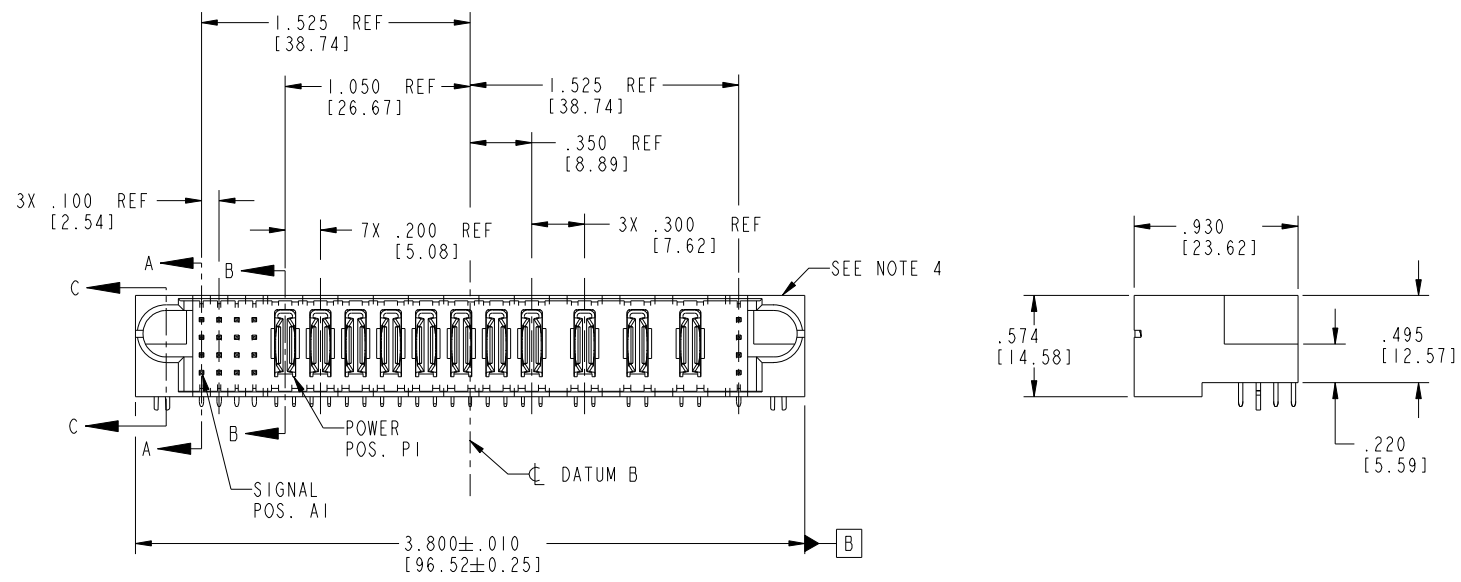


Tous droits strictement reserves. Reproduction ou communication a des tiers interdite sous quelque forme que ce soit sans autorisation écrite du propriétaire. Propriete de c FCI. Droits de reproduction FCI.



All rights strictly reserved. Reproduction or issue to third parties in any form whatever is not permitted without written authority from the proprietor. Property of FCI. Copyright FCI.

PRODUCT NO.	ROWS	SIG.				POWER										SIG.			
		E1	1	2	3	4	P1	P2	P3	P4	P5	P6	P7	P8	P9	P10	P11	5	E2
51939-065... NOTE: 3	D C B A	UUUU TTTT SSSS RRRR				PA	PA	PA	PA	PA	PA	PA	PA	PA	PA	PA	PA	HTS	HTS



CODE	DIM "M" MATING LENGTH	CONTACT TYPE
H	.220 [5.59]	SIGNAL
R	.270 [6.86]	SIGNAL
S	.270 [6.86]	SIGNAL
T	.270 [6.86]	SIGNAL
U	.270 [6.86]	SIGNAL
PA	N/A [N/A]	POWER
HA	N/A [N/A]	HOLD-DOWN

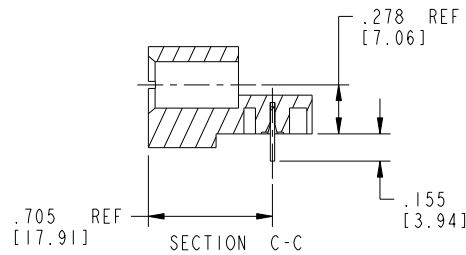
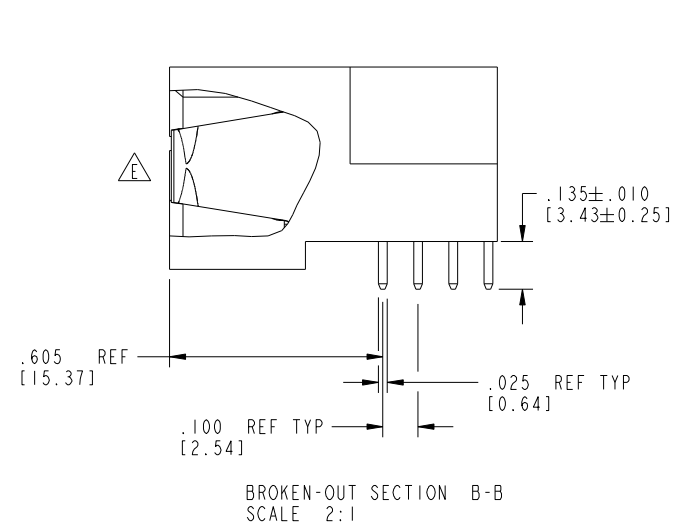
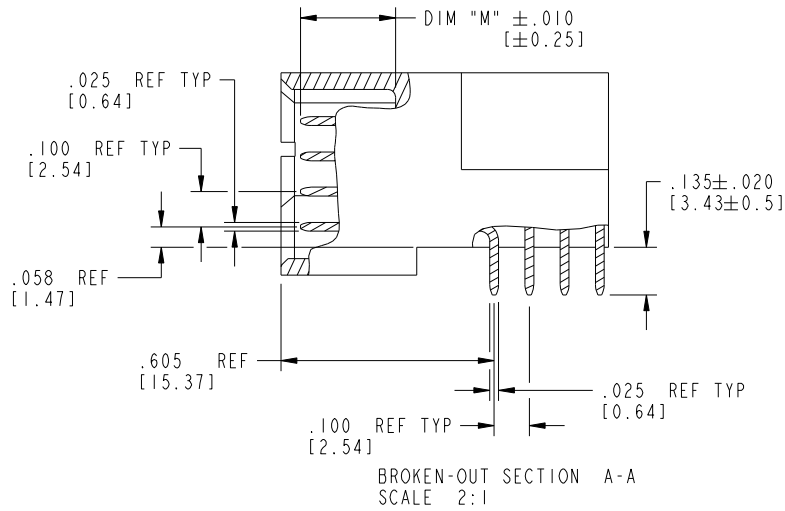
mat'l code				SEE NOTE 2		tolerances unless otherwise specified		CUSTOMER		FCI	
ltr	ecn no.	dr	date	linear	.XX±.01/0.X±0.3	projection	copy	www.fciconnect.com			
A	V03-0586	TAB	05/21/03	linear	.XXX±.005/0.XX±0.13	INCH/MM	title	16S + 8P + 3ACP + 4S			
B	V03-0650	TAB	06/13/03	angles	.XXX±.0020/0.XXX±0.051	scale	RIGHT ANGLE SOLDER HEADER		product family		
C	V03-1166	TAB	10/27/03	angles	0°±2°	1:1	PwrBlade		code		
D	DG06-0014	JMG	01/11/06	chr	T. BRUNGARD 05/21/03	size	A		213		
E	DG08-0273	WD	01/02/09	appd	M. MOSTOLLER 05/21/03	dwg no	51939-065		sheet		
sheet index				revision	E	E	E	E	1 of 4		
				sheet	1	2	3	4			

Pro/E cage code 22526

Tous droits strictement réservés. Reproduction ou communication à des tiers interdite sous quelque forme que ce soit sans autorisation écrite du propriétaire. Propriété de c FCI. Droits de reproduction FCI.

All rights strictly reserved. Reproduction or issue to third parties in any form whatsoever is not permitted without written authority from the proprietor. Property of FCI. Copyright FCI.

PRODUCT NUMBER
51939-065--
NOTE: 3



mat'l code		SEE NOTE 2		tolerances unless otherwise specified		CUSTOMER		FCI	
ltr	ecn no.	dr	date	linear	.XX±.01/0.X±0.3	COPY		www.fciconnect.com	
E					.XXX±.005/0.XX±0.13	projection		title 16S + 8P + 3ACP + 4S	
				angles	.XXX±.0020/0.XXX±0.051			RIGHT ANGLE SOLDER HEADER	
				dr	T. BRUNGARD 05/21/03	INCH/MM		product family PwrBlade code 213	
				enrg	M. MOSTOLLER 05/21/03	scale		size dwg no 213	
				chr	M. MOSTOLLER 05/21/03	1:1		sheet 2 of 4	
				appd	M. MOSTOLLER 05/21/03			A 51939-065	
sheet index	revision sheet								

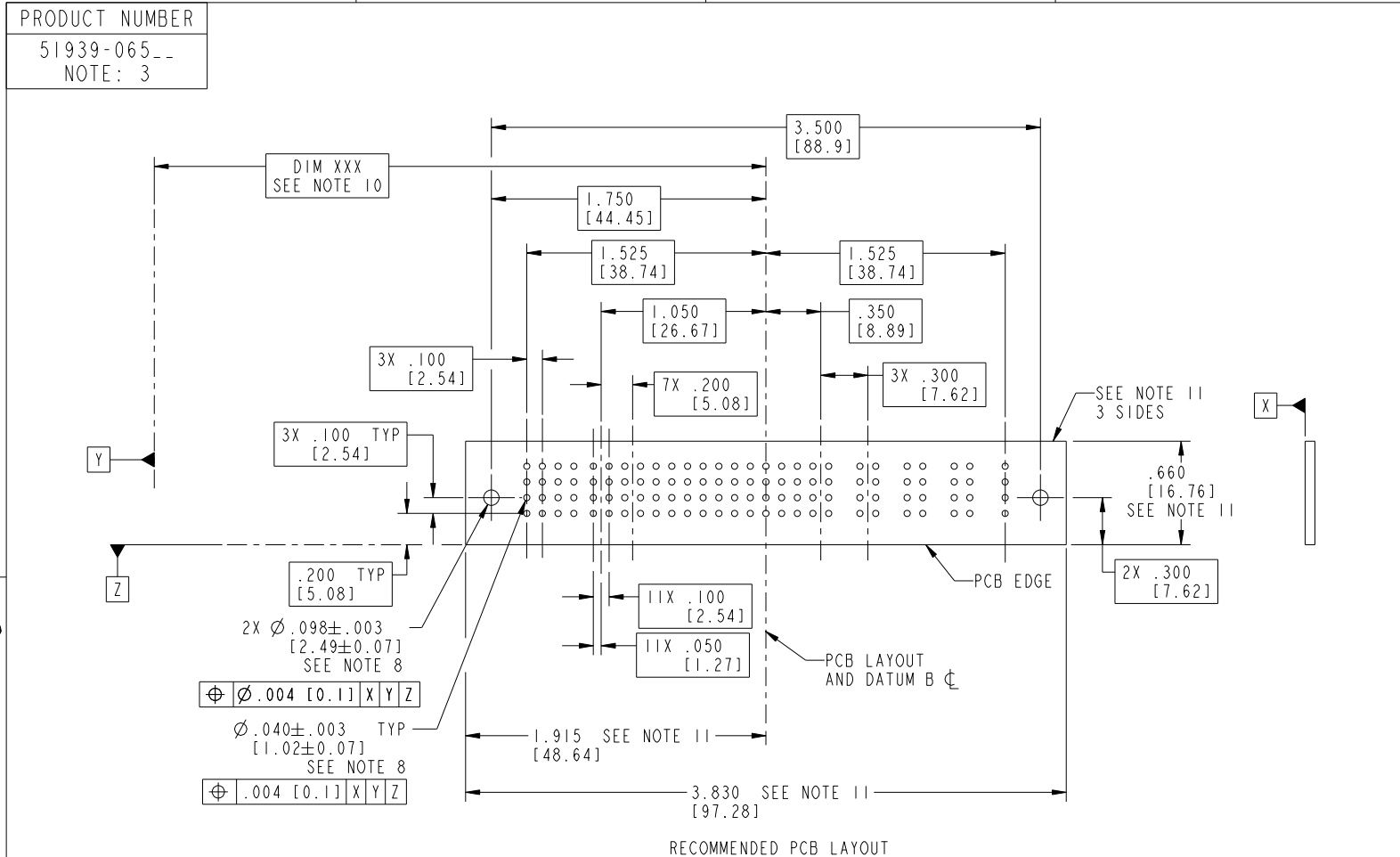
Pro/E

cage code 22526

Tous droits strictement reserves. Reproduction ou communication a des tiers interdite sous quelque forme que ce soit sans autorisation écrite du propriétaire. Propriete de c FCI. Droits de reproduction FCI.



All rights strictly reserved. Reproduction or issue to third parties in any form whatsoever is not permitted without written authority from the proprietor. Property of FCI. Copyright FCI.



RECOMMENDED PCB LAYOUT

mat'l code		SEE NOTE 2		tolerances unless otherwise specified		CUSTOMER		 www.fciconnect.com	
ltr	ecn no.	dr	date	linear	.XX±.01/0.X±0.3	COPY		title 16S + 8P + 3ACP + 4S	
E					.XXX±.005/0.XX±0.13	projection		RIGHT ANGLE SOLDER HEADER	
				angles	.XXX±.0020/0.XXX±0.051			product family PwrBlade code 213	
				dr	0°+2°	INCH/MM		size dwg no 213	
				enrg	T. BRUNGARD 05/21/03	scale		sheet 3 of 4	
				chr	M. MOSTOLLER 05/21/03	1:1		51939-065	
				appd	M. MOSTOLLER 05/21/03				
sheet index	revision sheet								

cage code 22526

Pro/E

Tous droits strictement reserves. Reproduction ou communication a des tiers interdite sous quelque forme que ce soit sans autorisation écrite du propriétaire. Propriete de c FCI. Droits de reproduction FCI.



All rights strictly reserved. Reproduction or issue to third parties in any form whatever is not permitted without written authority from the proprietor. Property of FCI. Copyright FCI.

PRODUCT NUMBER
51939-065__
NOTE: 3

NOTES:

1. DIMENSIONS AND TOLERANCES ARE IN ACCORDANCE WITH ASME Y14.5M, 1994 UNLESS OTHERWISE SPECIFIED.

CONNECTOR NOTES:

- 2. HOUSING MATERIAL: UL 94 V-0 GLASS FILLED HIGH-TEMP THERMOPLASTIC
POWER CONTACT MATERIAL: COPPER ALLOY
SIGNAL PIN MATERIAL: COPPER ALLOY

3. SEE ITEM 1 & 2 IN PRINT 10064183 FOR PLATING SPEC OF 51939-065 AND 51939-065LF RESPECTIVELY.

- 4. MANUFACTURER'S NAME, P/N, AND DATE CODE TO APPEAR ON THIS SURFACE.

5. PRODUCT SPECIFICATION GS-12-149.
APPLICATION SPECIFICATION BUS-20-067.

6. PACKAGED IN TRAYS.

PCB NOTES:

7. ALL HOLE DIAMETERS ARE FINISHED HOLE SIZE.

- 8. MOUNTING HOLES, WHERE APPLICABLE, ARE UNPLATED.

- 9. $\varnothing .0453 \pm .0010$ [1.151 \pm 0.025] DRILLED HOLES PLATED WITH
.0003 [0.008] MIN SnPb OVER .001 [0.03]
TO .003 [0.08] Cu PLATING TO ACHIEVE
 $\varnothing .040 \pm .003$ [1.02 \pm .07] HOLE.

- 10. "DIM XXX" TO BE DETERMINED BY THE CUSTOMER.

- 11. CONNECTOR KEEP-OUT ZONE.

12. A Δ SYMBOL WILL BE NEXT TO ANY DIMENSION, VIEW, OR NOTE WHICH HAS BEEN MODIFIED WITH THE CURRENT DRAWING REVISION.

mat'l code		SEE NOTE 2		tolerances unless otherwise specified		CUSTOMER			
ltr	ecn no.	dr	date	linear	.XX±.01/0.X±0.3	COPY		www.fciconnect.com	
E				projection	.XXX±.005/0.XX±0.13	title		16S + 8P + 3ACP + 4S	
				angles	.XXX±.002/0.XXX±0.051	RIGHT ANGLE SOLDER HEADER			
				dr	0°+2°	product family		PwrBlade	
				enr	T. BRUNGARD 05/21/03	size		213	
				chr	M. MOSTOLLER 05/21/03	scale		A	
				appd	M. MOSTOLLER 05/21/03	dwg no		51939-065	
sheet index	revision sheet					sheet		4 of 4	

cage code 22526