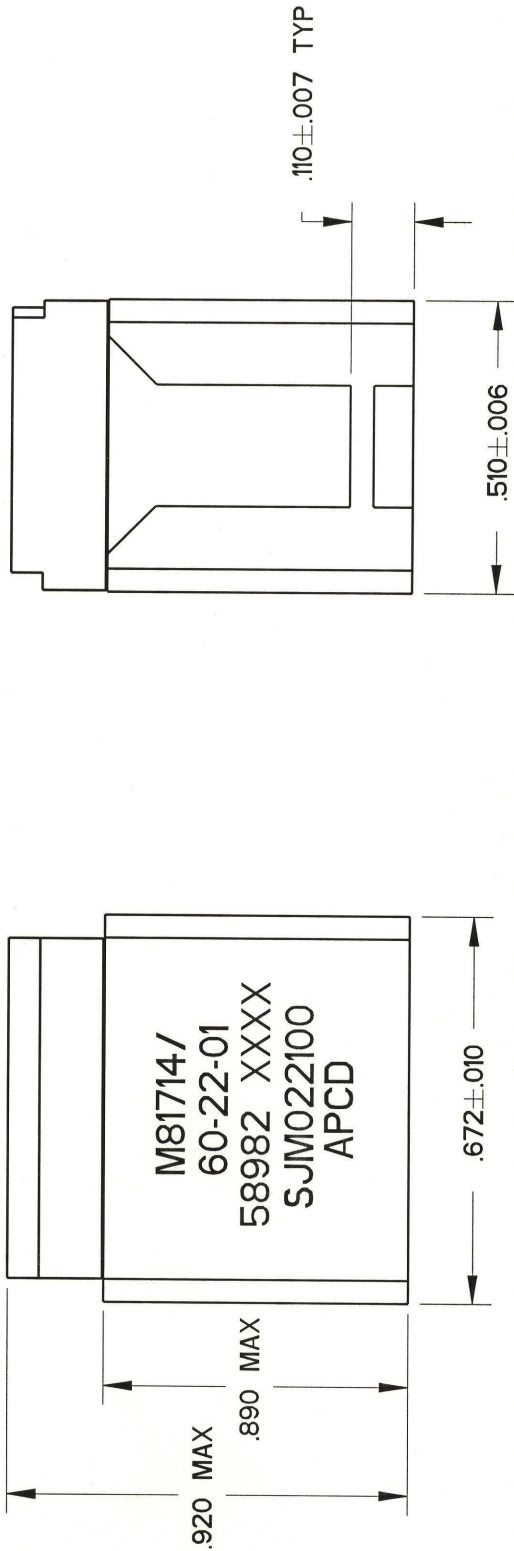
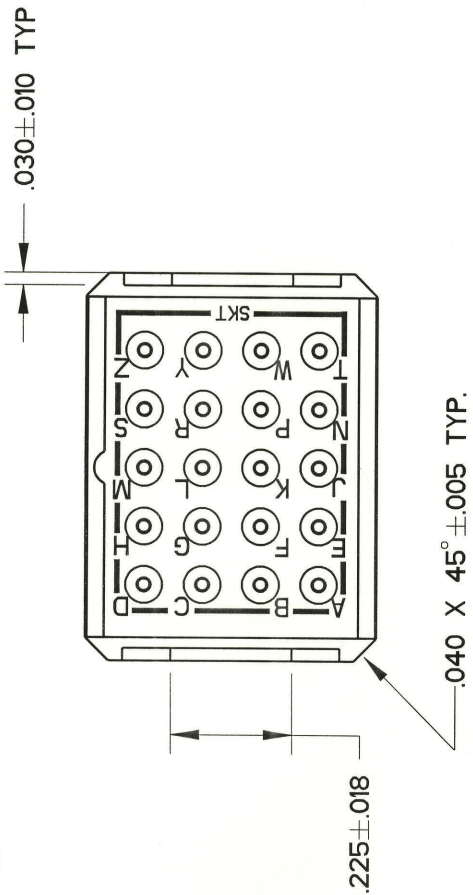
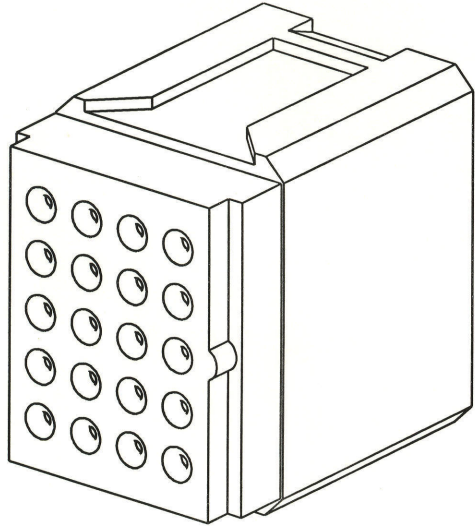


REV	ECN	APPD
M	5910	DTT 3/26/06



- NOTES:
- PART MEETS ALL REQUIREMENTS OF MIL-T-81714/60
  - MATERIALS:  
GROMMET - SILICONE RUBBER PER A-A-59588  
BODY - POLYETHERIMIDE PER ASTM-D-5205  
INTERNAL CONTACT - BRASS PER ASTM-B16, GOLD PLATED PER SAE-AMS-2422  
CONTACT RETAINER CLIPS - STAINLESS STEEL PER ASTM-A666
  - PART ACCEPTS M39029/22-191 SOCKET CONTACTS. SEE TABLE

APCD P/N	SUPPLIED		MARKING	
	SKTS	PLUGS	APCD PART NO.	MIL. NO.
SJM022100	21	2	SJM022100	M81714/60-22-01
SJM022101	-	-	-	-

<b>Amphenol Pcd</b> SPECIFICATION DRAWING DRWN R. SWAINE 9/25/06 ENGR <i>[Signature]</i> 9/26/06 APPD <i>[Signature]</i> 9/26/06		TITLE <b>SOCKET JUNCTION MODULE</b> SIZE 22, ONE-BUS	
DIMENSIONS ANSI Y14.5M UNITS: INCHES Pro/E FILE	TOLERANCES .XX ±0.01 .XXX ±0.005 ANGLES ±2.0°	PROJECTION 	ORIGINAL 
THIS DOCUMENT CONTAINS PROPRIETARY INFORMATION WHICH IS THE CONFIDENTIAL PROPERTY OF AMPHENOL PCD INC., PEABODY, MA		SIZE <b>B</b>	DWG NO. <b>SJM022100</b>
CODE: 58982		SCALE: 3:1	SHEET 1 OF 1