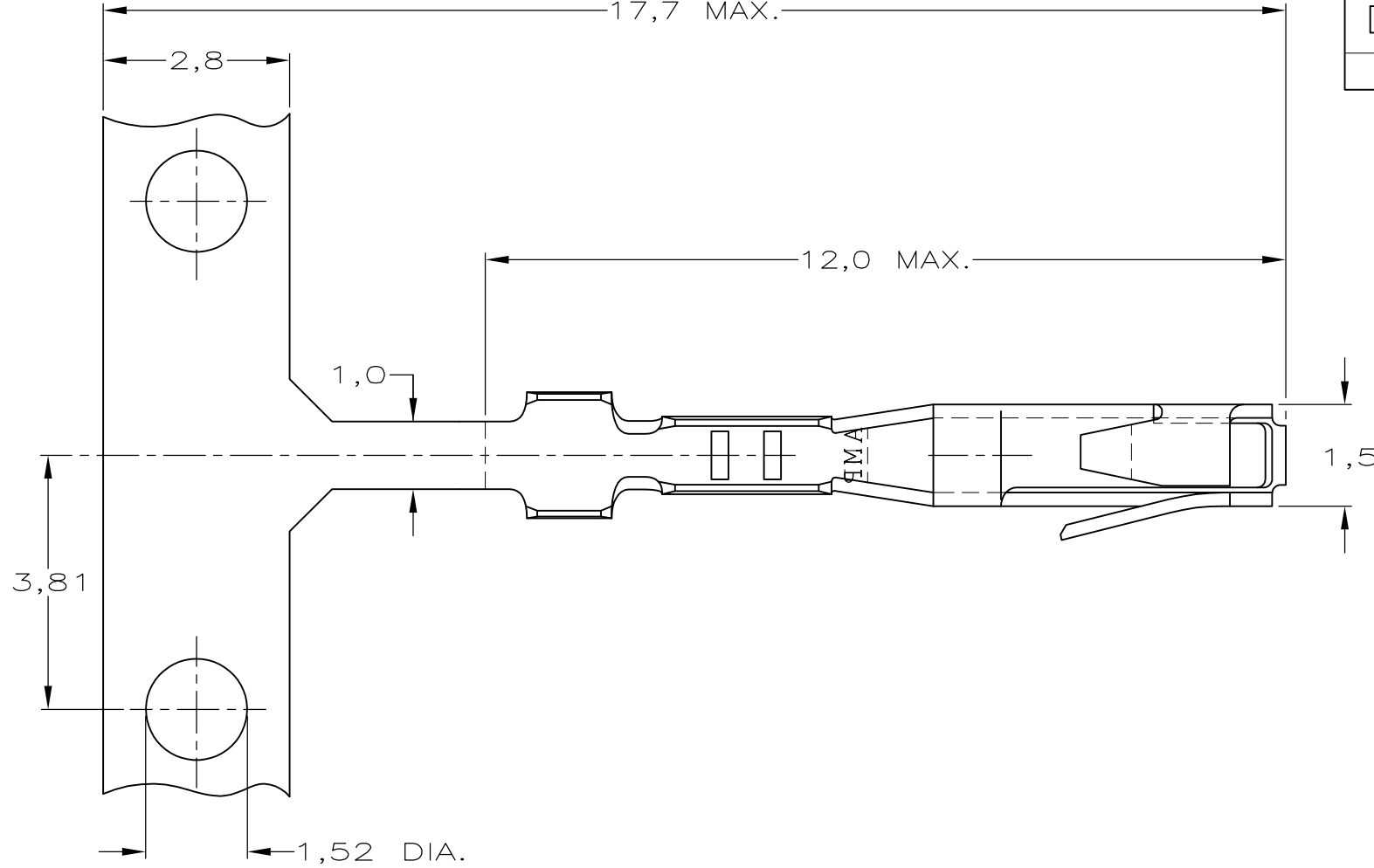
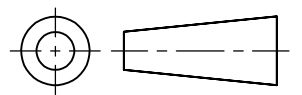


DO NOT SCALE
DIMENSIONS IN mm

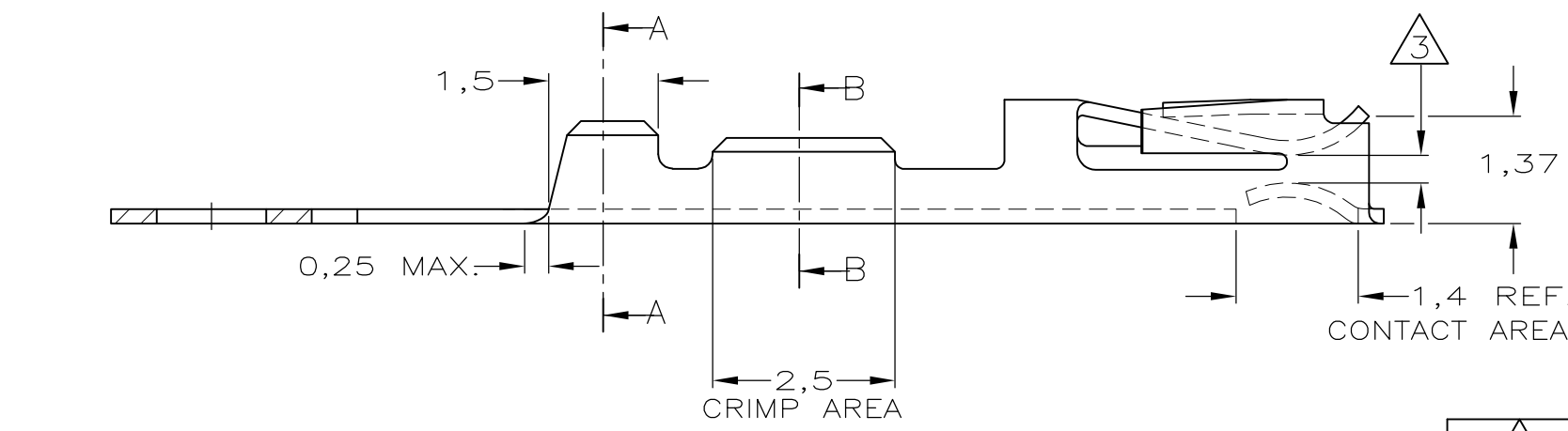
METRIC

THIRD ANGLE
PROJECTION

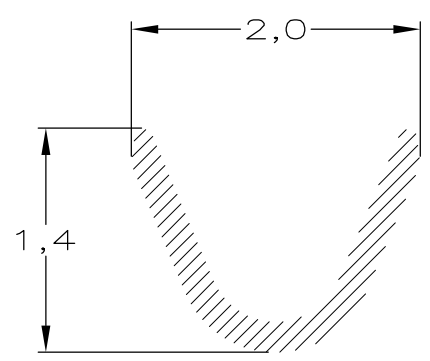


NOTES:

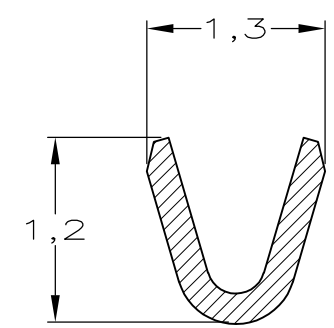
- ① UNDERCOATING: 0,8 μm NICKEL OVERALL.
CONTACT AREA: 0,8 μm GOLD.
CRIMP AREA : GOLDFLASH
- ② UNDERCOATING: 0,8 μm NICKEL OVERALL.
CONTACT AREA: 1,25 μm GOLD.
CRIMP AREA : GOLDFLASH
- ③ SUITABLE FOR 0,64x0,64 POST.
- ④ UNDERCOATING: 0,8 μm NICKEL OVERALL.
CONTACT AREA: 0,4 μm GOLD.
CRIMP AREA : GOLDFLASH
- ⑤ ADVANCED PROD.NRS. FOR DIN 41612 PART 5 SPEC.
- ⑥ OBSOLETE PARTS: OBSOLETE CIS STREAMLINING PER D.RENAUD/D.SINISI



WIRE RANGE :
28-32 AWG
0,03-0,09 mm²
INSULATION RANGE :
0,5-1,02 DIA.



SECTION A-A



SECTION B-B

⑤ 167042-4	④	PHOSPHORBRONZE	⑥ -167041-7-
⑥ 167042-2	②		⑥ -167041-4-
167042-1	①		167041-2
LOOSE PIECE NUMBER	PLATING	MATERIAL	STRIPNUMBER
-	-	-	CUSTOMER DRAWING
-	-	-	FOR REFERENCE ONLY WILL NOT BE UPDATED
-	-	-	© COPYRIGHT 19 - BY AMP HOLLAND B.V.
-	-	-	ALL INTERNATIONAL RIGHTS RESERVED.AMP PRODUCTS MAY BE COVERED BY U.S. AND FOREIGN AND/OR PATENTS PENDING.
-	-	-	THIS DRAWING IS UNPUBLISHED RELEASED FOR PUBLICATION
-	-	-	AMP HOLLAND B.V. 's-Hertogenbosch, The Netherlands.
E1	REVISED PER ECO-09-021510	KK AEG 15-09-09	NAME
E	EH-0760-96	J.G. R.v.L 28-06-96	STANDARD TANDEM SPRING RECEPTACLE
LTR.	REVISION RECORD	DR. CHK. DATE	
DR.:	J.Gibbels	CHK.:	R.v.Lokven
DATE:	22-02-91	DATE:	-
APP.:	R.Smeets	DATE:	-
DWG.No.	C-167041	REV.LTR.	E1
SHEET	1 OF 1		A3