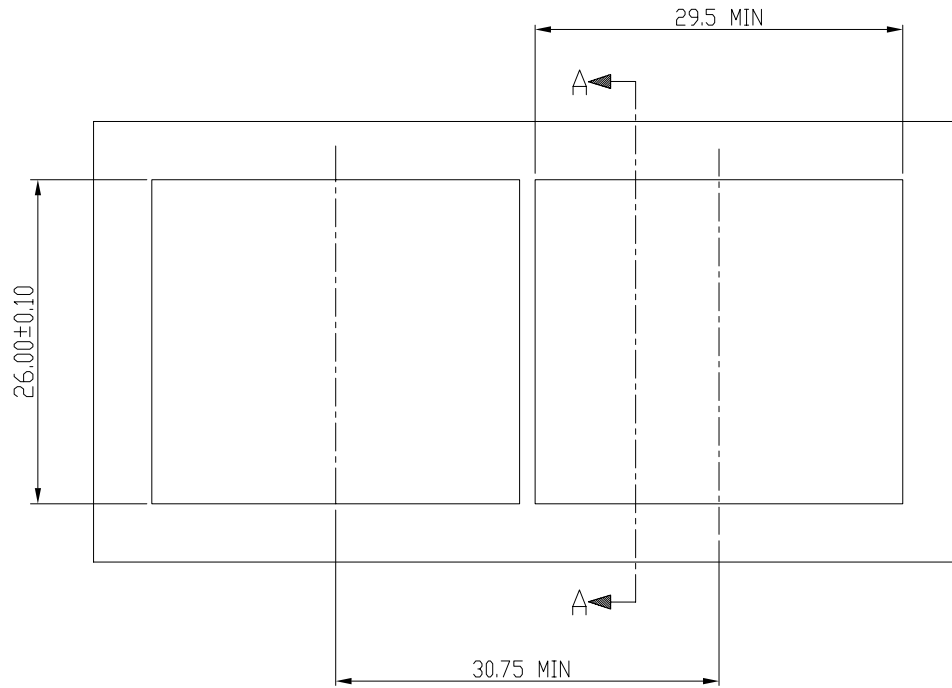


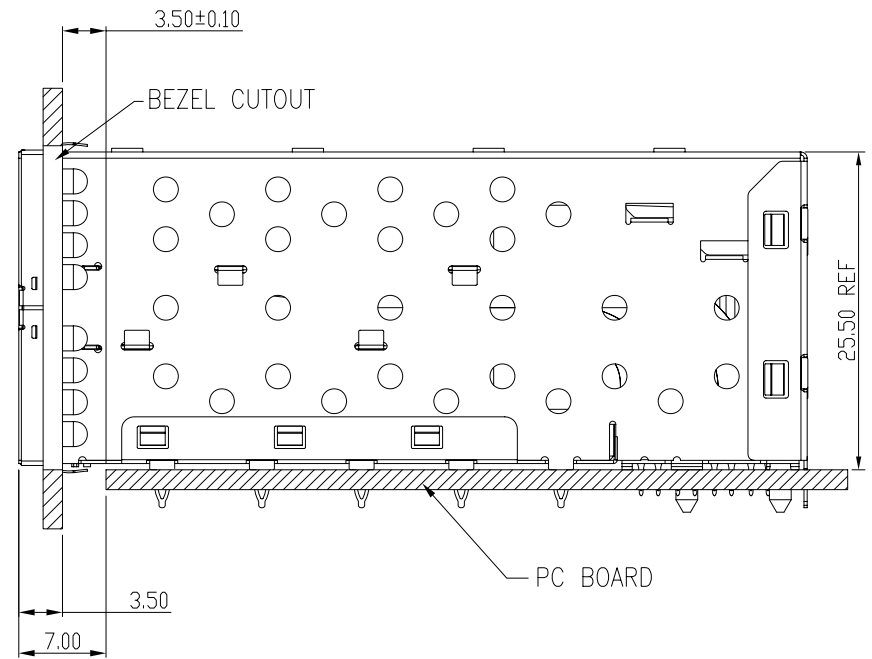
Qty Per:	TRAY	CARTON		
	12	72		
PART NUMBER	STATEMENT			
SFPP-3133-L				
No.	DESCRIPTION	Q'ty	MATERIAL	PLATING
01	SFP CAGE (Non-Logo)	1	COPPER ALLOY	
02	CONNECTOR	2	HIGH TEMP/COPPER ALLOY	GOLD
03	EMI TAB	2	COPPER ALLOY	

DETACHED LISTS	MM (INCH)	RoHS Compliant	Pulse A TECHNITROL COMPANY	
	TOLERANCES EXCEPT AS NOTED	TITLE		
	MM	SFP PLUS 2 BY 2 CAGE+CONNECTOR_P		
	.0 ± 0.25 ± .00 ± 0.2 ± .000 ± 0.10 ±	W/EMI TAB		
ANGLES ± 0.5	DFTD Jack	DRAWING NO. CSFPP-3133-L	SIZE	REV
	DATE 3/08/10'	/PART NO. SFPP-3133-L	A3	0
THIRD ANGLE PROJECTION	SCALE : 2:1	DO NOT SCALE DRAWING	SHEET 1	OF 4

8 | 7 | 6 | 5 | 4 | 3 | 2 | 1



BEZEL CUT-OUT CENTER SPACING DETAIL
 BEZEL THICKNESS:0.8-2.6



MM (INCH)		RoHS Compliant			
TOLERANCES EXCEPT AS NOTED					
MM				TITLE	
.0 ± 0.25	±	SFP 2 BY 2 CAGE+CONNECTOR_P		W/EMI TAB	
.00 ± 0.2	±	SCALE : 2:1		SIZE	REV
.000 ± 0.10	±	SCALE : 2:1		A3	0
ANGLES ± 0.5		SCALE : 2:1		SHEET 2 OF 4	
 THIRD ANGLE PROJECTION		DFTD Jack DATE 3/08/10		DRAWING NO. CSFPP-3133-L /PART NO. SFPP-3133-L	

8

7

6

5

4

3

2

1

H

G

F

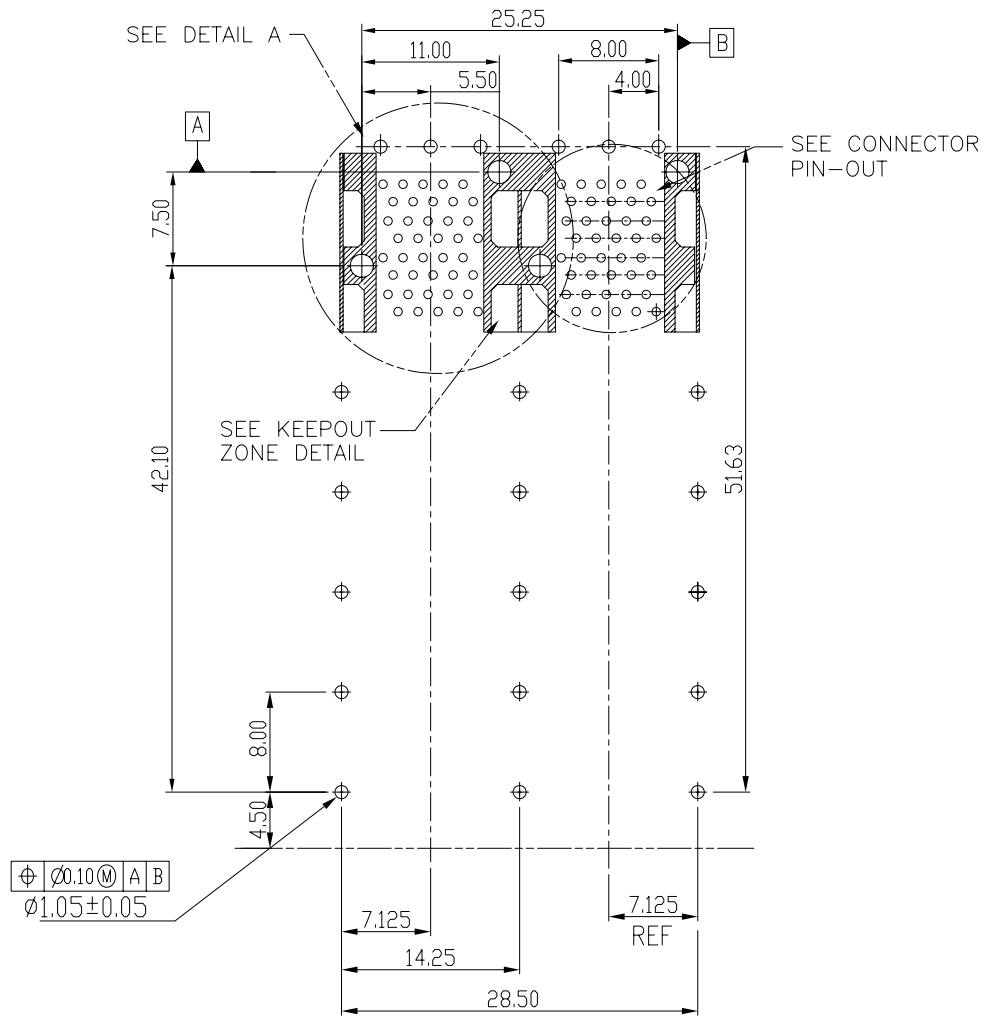
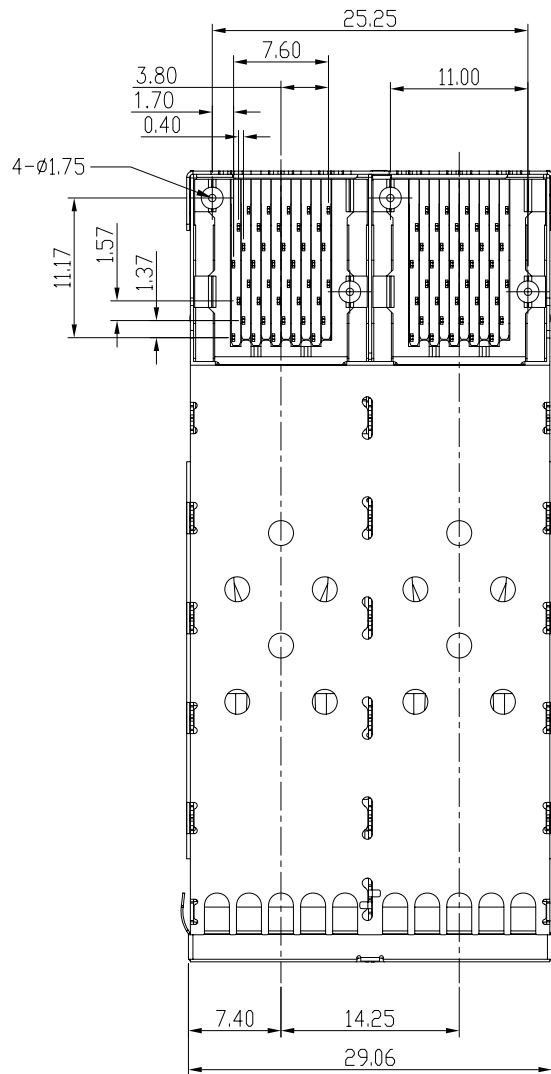
E

D

C

B

A



MM (INCH)		RoHS Compliant			
TOLERANCES EXCEPT AS NOTED		TITLE SFP 2 BY 2 CAGE+CONNECTOR_P			
DETACHED LISTS		W/EMI TAB		SIZE A3	
MM .0 ± 0.25 .00 ± 0.2 .000 ± 0.10	± ± ±	DFTD Jack DATE 3/08/10'		DRAWING NO. CSFPP-3133-L /PART NO. SFPP-3133-L	
ANGLES ± 0.5		SCALE : 2:1		SHEET 3 OF 4	
		DO NOT SCALE DRAWING		REV 0	

8

7

6

5

4

3

2

1

A

B

C

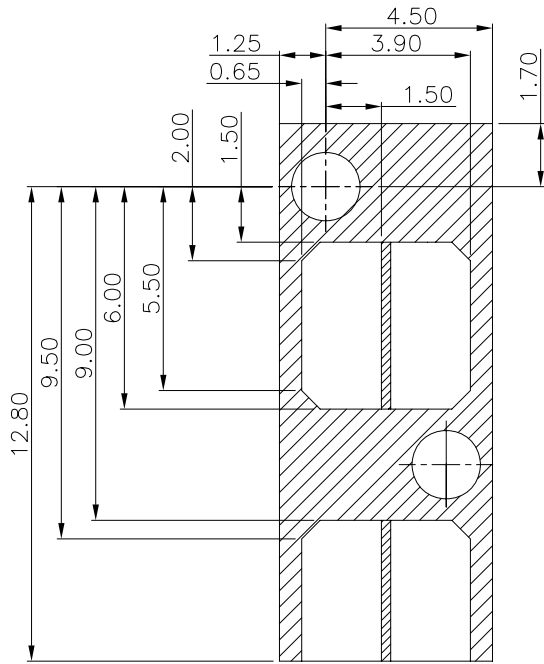
D

E

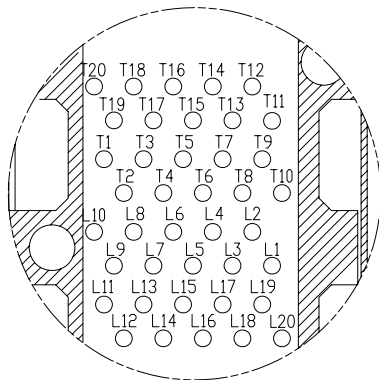
F

G

H

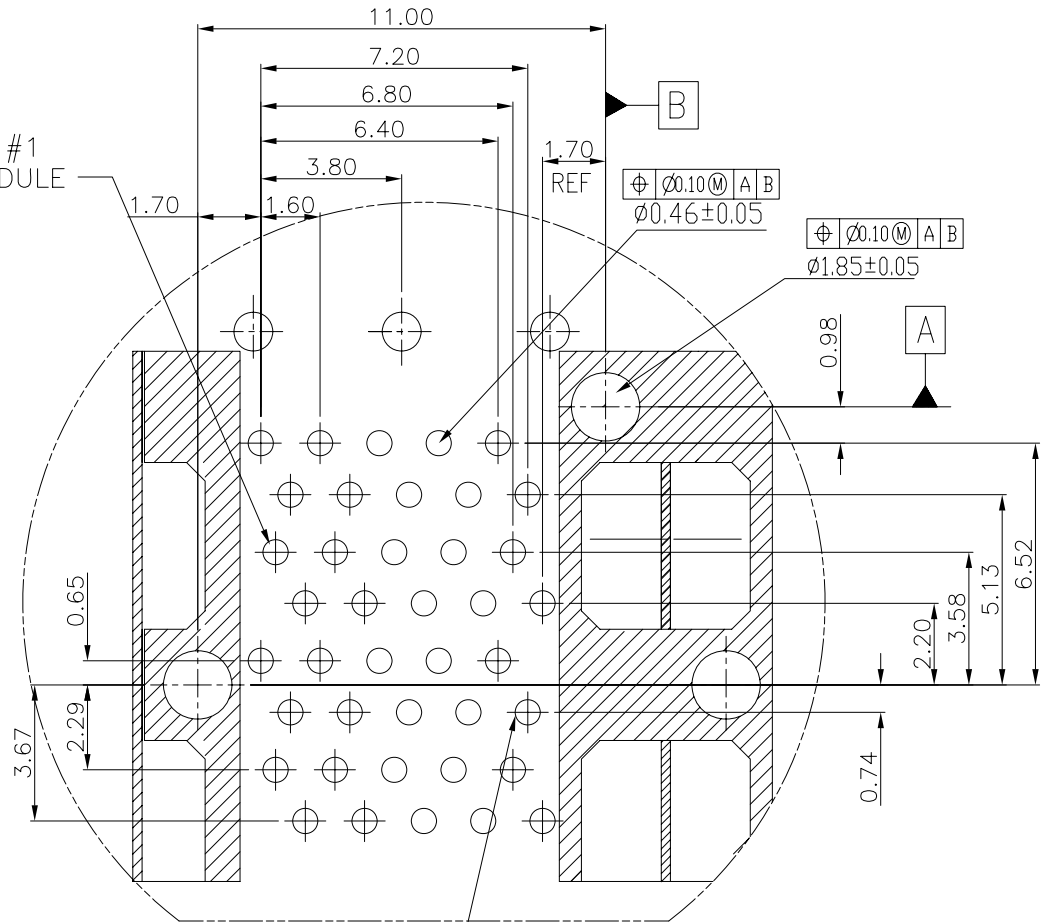


KEEPOUT ZONE DETAIL
SCALE 6:1



CONNECTOR PIN-OUT
COMPONENT SIDE OF BOARD

CIRCUIT #1
TOP MODULE



CIRCUIT #1
BOTTOM MODULE

DETAIL A
SCALE 6:1

DETACHED LISTS	← MM (INCH) →		RoHS Compliant				
	TOLERANCES EXCEPT AS NOTED		W/EMI TAB				
	MM	±	TITLE SFP 2 BY 2 CAGE+CONNECTOR_P				
	.0 ± 0.25 .00 ± 0.2 .000 ± 0.10	±	DFTD Jack DATE 3/08/10'		DRAWING NO. CSFPP-3133-L /PART NO. SFPP-3133-L		SIZE A3
ANGLES ± 0.5		SCALE : 2:1		DO NOT SCALE DRAWING		SHEET 4 OF 4	