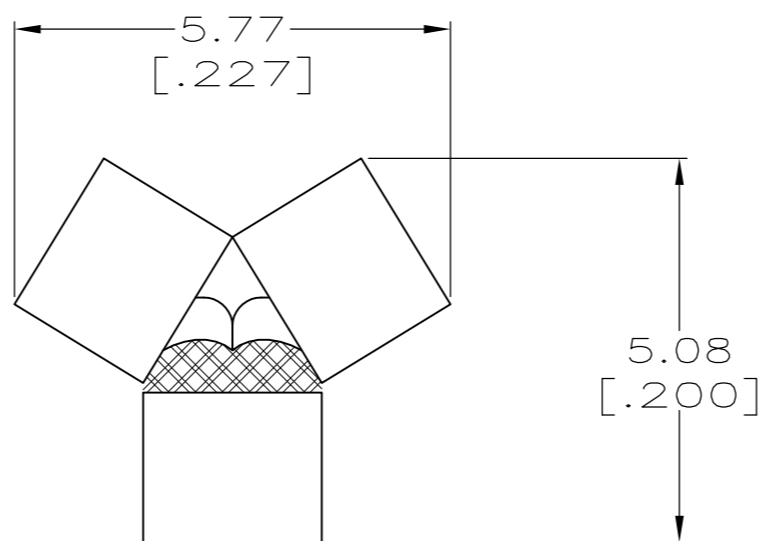
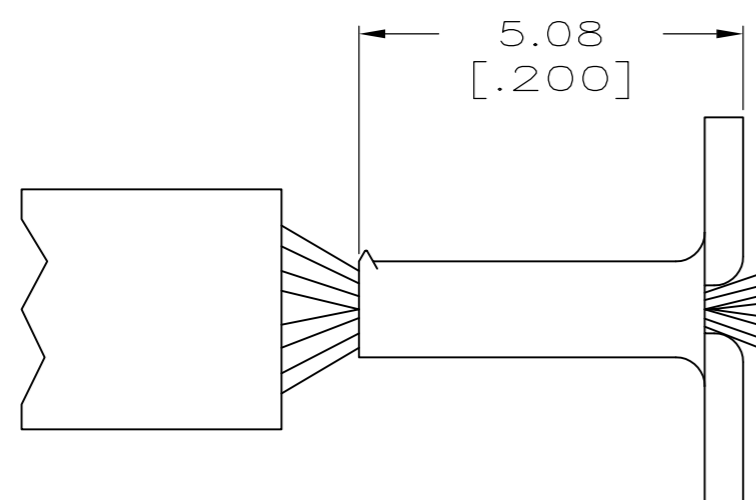
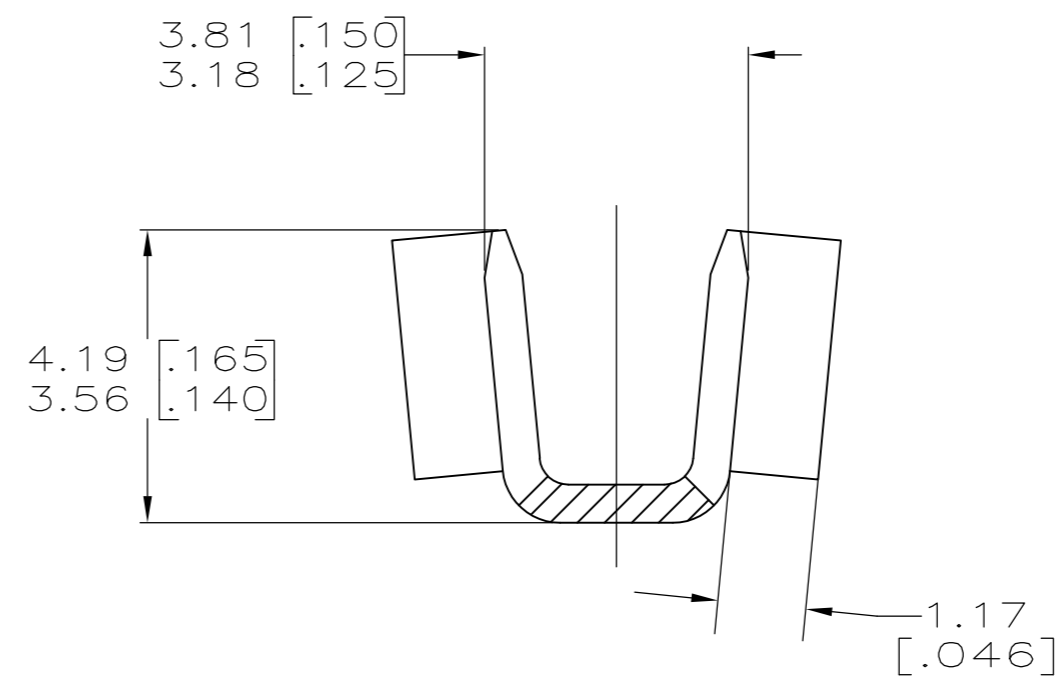
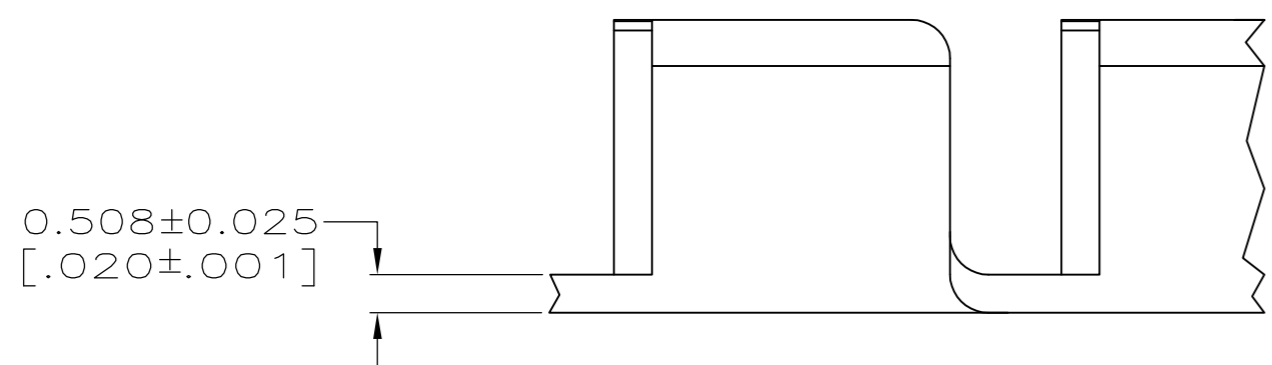
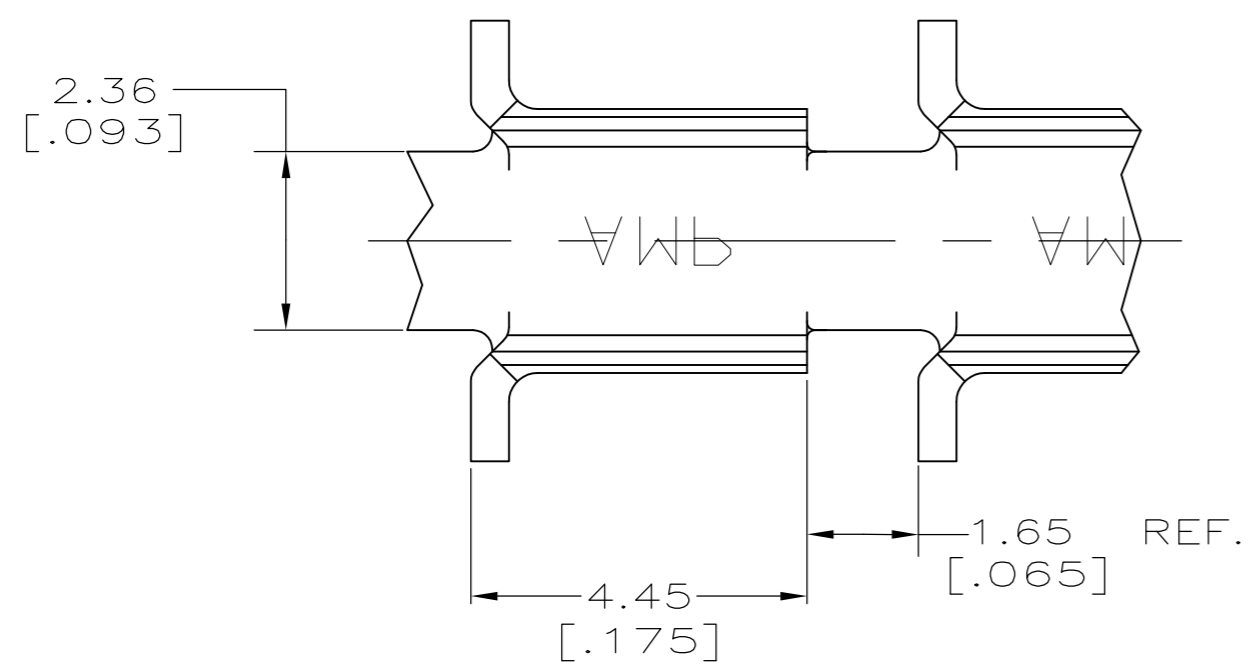


THIS DRAWING IS UNPUBLISHED. RELEASED FOR PUBLICATION
 © COPYRIGHT BY TYCO ELECTRONICS CORPORATION. ALL RIGHTS RESERVED.

LOC	DIST	REVISIONS			
P	LTR	DESCRIPTION	DATE	DWN	APVD
AF	50	L1	REVISED PER ECR-08-001540	04FEB08	DML DML

△ SUFFIX LETTER MUST BE USED ONLY WHEN ORDERING APPLICATOR TOOLING.



CRIMPED VIEW △
 TERMINAL TO BE BENT IN APPLICATOR

THIS DRAWING IS A CONTROLLED DOCUMENT.	
DIMENSIONS: mm [INCHES]	TOLERANCES UNLESS OTHERWISE SPECIFIED: 0 PLC ± - 1 PLC ± - 2 PLC ± - 3 PLC ± 0.25 [.010] 4 PLC ± - ANGLES ± - FINISH -
MATERIAL 082 BRASS	

△ 40662 S	#20-#16 AWG	40662
TERM NO. BENT	WIRE RANGE	PART NUMBER
DWN 11AUG98 SCOTT URICH CHK 27AUG98 MICHAEL S. FEHER APVD 27AUG98 DENNY P. SCHWENK PRODUCT SPEC APPLICATION SPEC Tyco Electronics Corporation Harrisburg, PA 17105-3608 NAME CONTACT, BUTTON SIZE A2 CAGE CODE 00779 DRAWING NO. C=40662 RESTRICTED TO - WEIGHT - SCALE 10:1 SHEET 1 OF 1 REV L1 CUSTOMER DRAWING		