

**REVISION D**

DO NOT SCALE FROM THIS PRINT

**DESIGNED & DIMENSIONED IN MILLIMETERS [INCHES]**

**SMA-J-P-X-ST-MT1**

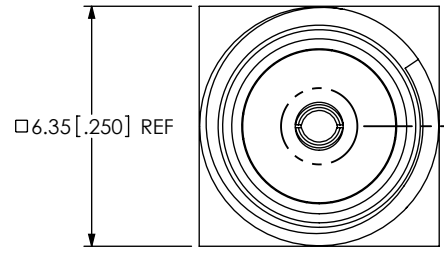
GENDER  
-J: JACK

TYPE  
-P: PCB

TERMINATION  
-MT1: MIXED TECHNOLOGY

ORIENTATION  
-ST: STRAIGHT

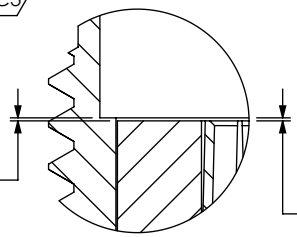
PLATING SPECIFICATIONS  
-H: HEAVY GOLD (SEE NOTES 7 & 8)  
(MCX-J-P-F-ST-MT1-SHL)  
(MCX-J-P-H-ST-MT1-SKT)  
(MCX-J-P-ST-MT1-INS)



**DETAIL 'D'**  
SCALE 8 : 1

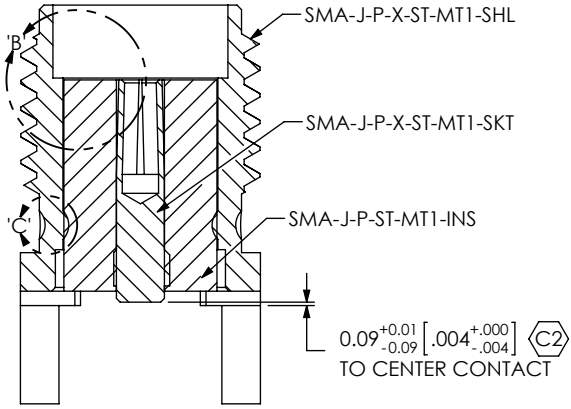
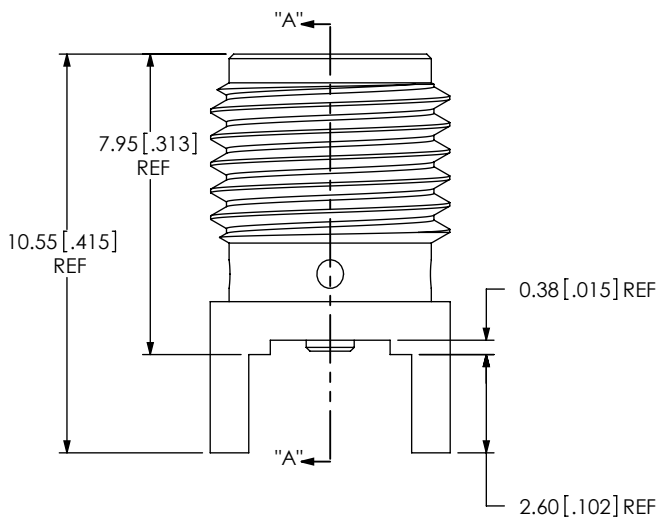
0.84±0.03 [.033±.001]  $\text{\textcircled{C}3}$

0.05±0.05 [.002±.002] (TO INSULATOR)  $\text{\textcircled{C}1}$

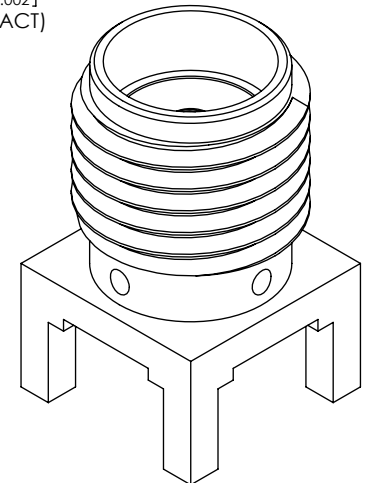


**DETAIL 'B'**  
SCALE 8 : 1

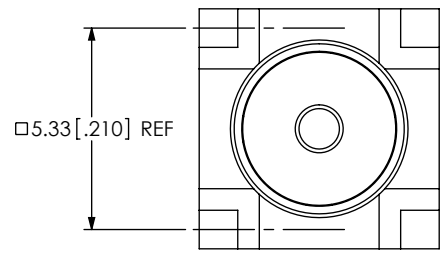
0.05<sup>+0.20</sup><sub>-0.05</sub> [.002<sup>+0.008</sup><sub>-0.002</sub>] REF (TO CONTACT)



**SECTION "A"-A"**

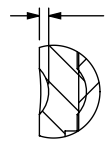


**FIG 1**  
SMA-J-C-X-ST-MT1 SHOWN



1.02 [.040] REF (4 PLCS)

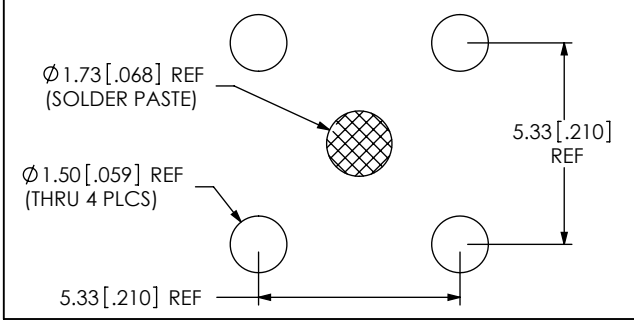
0.15 [.006] TYP ( 4 PLCS) (SEE NOTE 2)



**DETAIL 'C'**  
SCALE 8 : 1

**THIS PRODUCT MANUFACTURED WITH LEAD-FREE PROCESSING**

**RECOMMENDED PCB LAYOUT**



**NOTES:**

- $\text{\textcircled{C}}$  REPRESENTS A CRITICAL DIMENSION.
- STAKE AROUND CIRCUMFERENCE 4 INDENTS EQUALLY SPACED.
- PUSHOUT FORCE FOR INSULATOR: 44.48 N [10 LB] MIN.
- CENTER CONTACT PUSHOUT FORCE: 13.35 N [3 LB] MIN.
- PARTS TO BE PACKAGED PER PACKAGING STANDARD CO-HD-WI-3033-M.
- RoHS COMPLIANT.
- PLATING: -H: .000030" MIN. GOLD OVER .000050" MIN. NICKEL.  
-F: .000003" MIN. GOLD OVER .000050" MIN. NICKEL.
- ASSEMBLY PLATING DESIGNATIONS:  
-H: (CENTER CONTACT)-H  
-F: (OUTER CONTACT)-F

F:\DWG\MISC\MKTG\SMA-J-P-X-ST-MT1-MKT.SLDDRW

<p>UNLESS OTHERWISE SPECIFIED DIMENSIONS ARE IN MILLIMETERS [INCHES]</p> <p>TOLERANCES ARE:</p> <p>DECIMALS      ANGLES</p> <p>.X: ±0.3 [01]      2°</p> <p>.XX: ±0.13 [005]</p> <p>.XXX: ±0.051 [0020]</p>	<p><b>PROPRIETARY NOTE</b></p> <p>THIS DOCUMENT CONTAINS INFORMATION CONFIDENTIAL AND PROPRIETARY TO SAMTEC, INC. AND SHALL NOT BE REPRODUCED OR TRANSFERRED TO OTHER DOCUMENTS OR DISCLOSED TO OTHERS OR USED FOR ANY PURPOSE OTHER THAN THAT WHICH IT WAS OBTAINED WITHOUT THE EXPRESSED WRITTEN CONSENT OF SAMTEC, INC.</p>	<p><b>DESCRIPTION:</b></p> <p>SMA MIXED TECHNOLOGY</p>	
		<p><b>DWG. NO.</b></p> <p>SMA-J-P-X-ST-MT1</p>	
<p><b>MATERIAL:</b></p> <p>DO NOT SCALE DRAWING      SHEET SCALE: 5:1</p> <p>SHELL: BRASS CONTACT: COPPER ALLOY DIELECTRIC: PTFE</p>		<p><b>BY: G. HERMAN    07/20/2009    SHEET 1 OF 1</b></p>	