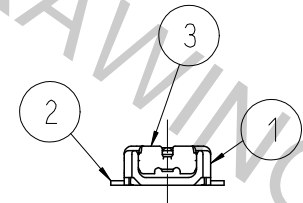
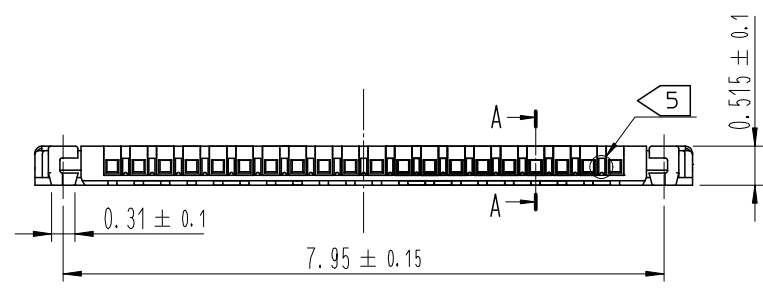
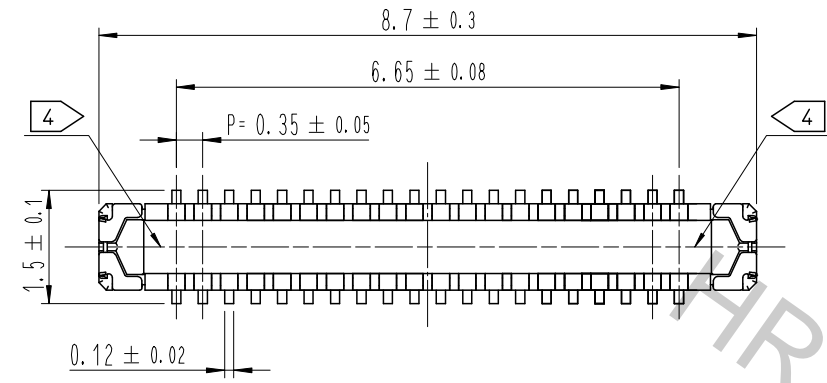
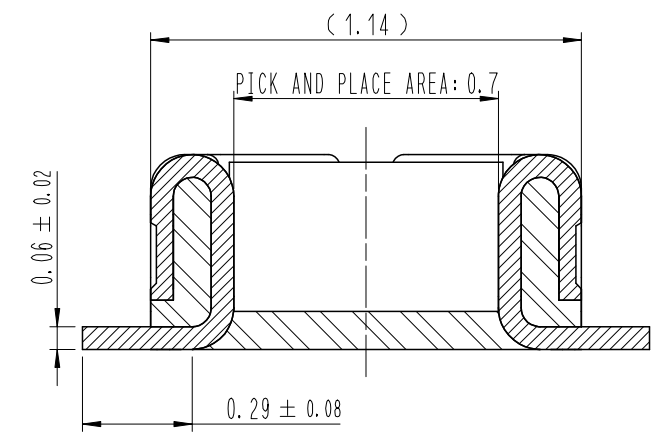


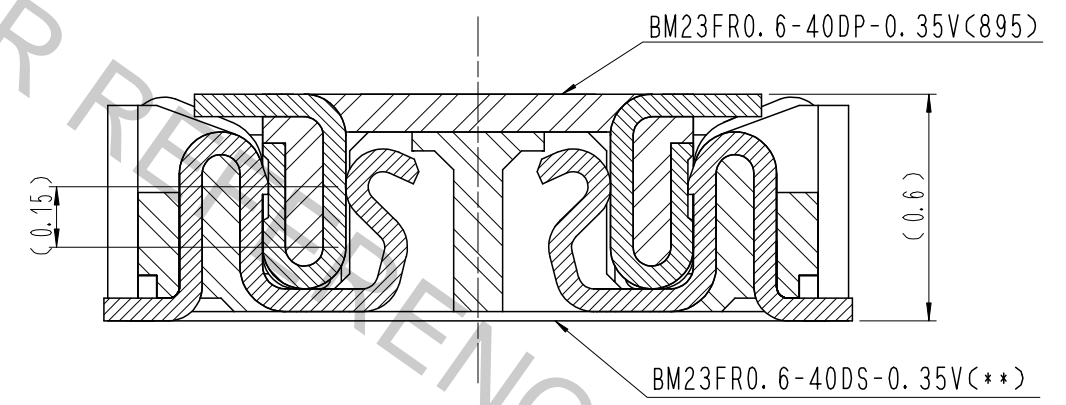
Aug.1.2018 Copyright 2018 HIROSE ELECTRIC CO., LTD. All Rights Reserved.
 In case that the application demands a high level of reliability, such as automotive,
 please contact a company representative for further information.



A-A (50:1)



ENGAGEMENT FIGURE (50:1)



DRAWING FOR REFERENCE
 This is subject to change without notice

- NOTE
- 1. ALL LEAD CO-PLANARITY SHALL BE 0.08mm MAX.
 - 2. CONTACT PLATING SPECIFICATIONS.
 CONTACT AREA : GOLD 0.05 μm MIN.
 SMT LEAD : GOLD 0.05 μm MIN.
 UNDER PLATING : NICKEL 1 μm MIN.
 (SURFACE : SEALING)
 - 3. METAL FITTING PLATING SPECIFICATIONS.
 SMT LEAD : GOLD 0.05 μm MIN.
 UNDERPLATING : NICKEL 1 μm MIN.
 (SURFACE : SEALING)
 - 4. HRS MARK and CAV No. IS INDICATED IN APPROX POSITION SHOWN.
 - 5. A PART OF THE WALL COULD BE NOTCHED.

| COUNT | DESCRIPTION OF REVISIONS | B | Y | CHKD | DATE | COUNT | DESCRIPTION OF REVISIONS | B | Y | CHKD | DATE |
|-------|--------------------------|---|---|------|------|-------|--------------------------|---|---|------|------|
| △ | | | | | | △ | | | | | |
| △ | | | | | | △ | | | | | |
| △ | | | | | | △ | | | | | |

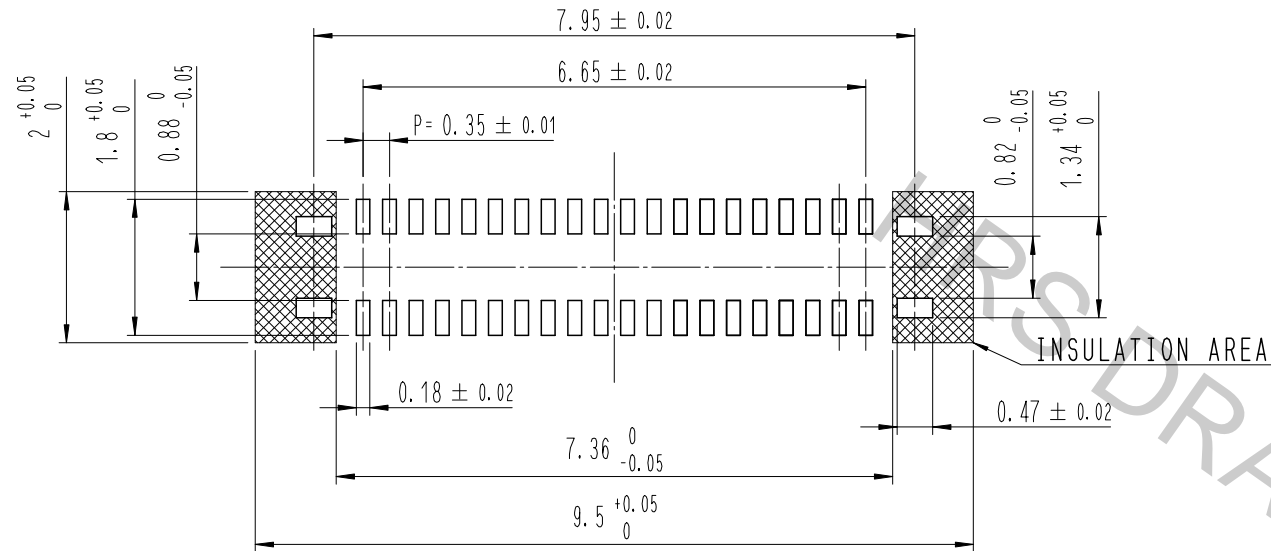
| NO. | MATERIAL | FINISH , REMARKS | NO. | MATERIAL | FINISH , REMARKS |
|-----|--------------|------------------------------|-----|-----------|------------------------------|
| 4 | PS | CLEAR (EMBOSSD CARRIER TAPE) | 7 | PS | CLEAR (REINFORCEMENT COLLAR) |
| 3 | COPPER ALLOY | 3 | 6 | PS | BLACK (PLASTIC REEL) |
| 2 | COPPER ALLOY | 2 | 5 | POLYESTER | CLEAR (COVER TAPE) |
| 1 | LCP | UL94 V-0, BLACK | | | |

| | | | | | | | | | |
|---------|--|--|--|--|------------|------------|----------|------------|----------|
| REMARKS | | | | | DRAWN | DESIGNED | CHECKED | APPROVED | RELEASED |
| | | | | | S. H. JUNG | S. H. JUNG | H. W. JO | T. S. KANG | 17.05.08 |
| | | | | | 17.05.08 | 17.05.08 | 17.05.08 | 17.05.08 | |

| | | |
|----------------------------|-------------|---------------------------|
| CODE NO. (OLD) | DRAWING NO. | PART NO. |
| | EDC3-632176 | BM23FR0.6-40DP-0.35V(895) |
| SCALE | UNITS | |
| 10:1 | mm | |
| HRS HIROSE KOREA CO., LTD. | | CODE NO |
| | | CL 6644-0082-9-895 |
| | | 1/3 |

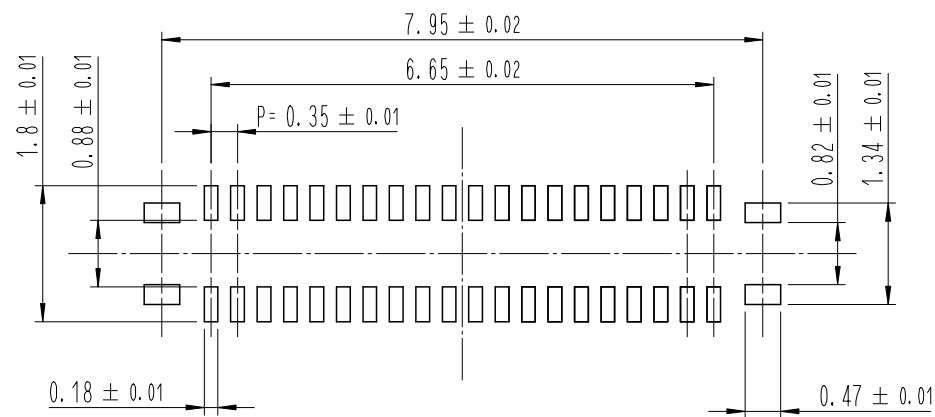
Aug.1.2018 Copyright 2018 HIROSE ELECTRIC CO., LTD. All Rights Reserved.
 In case that the application demands a high level of reliability, such as automotive,
 please contact a company representative for further information.

7 RECOMMENDED PCB LAYOUT

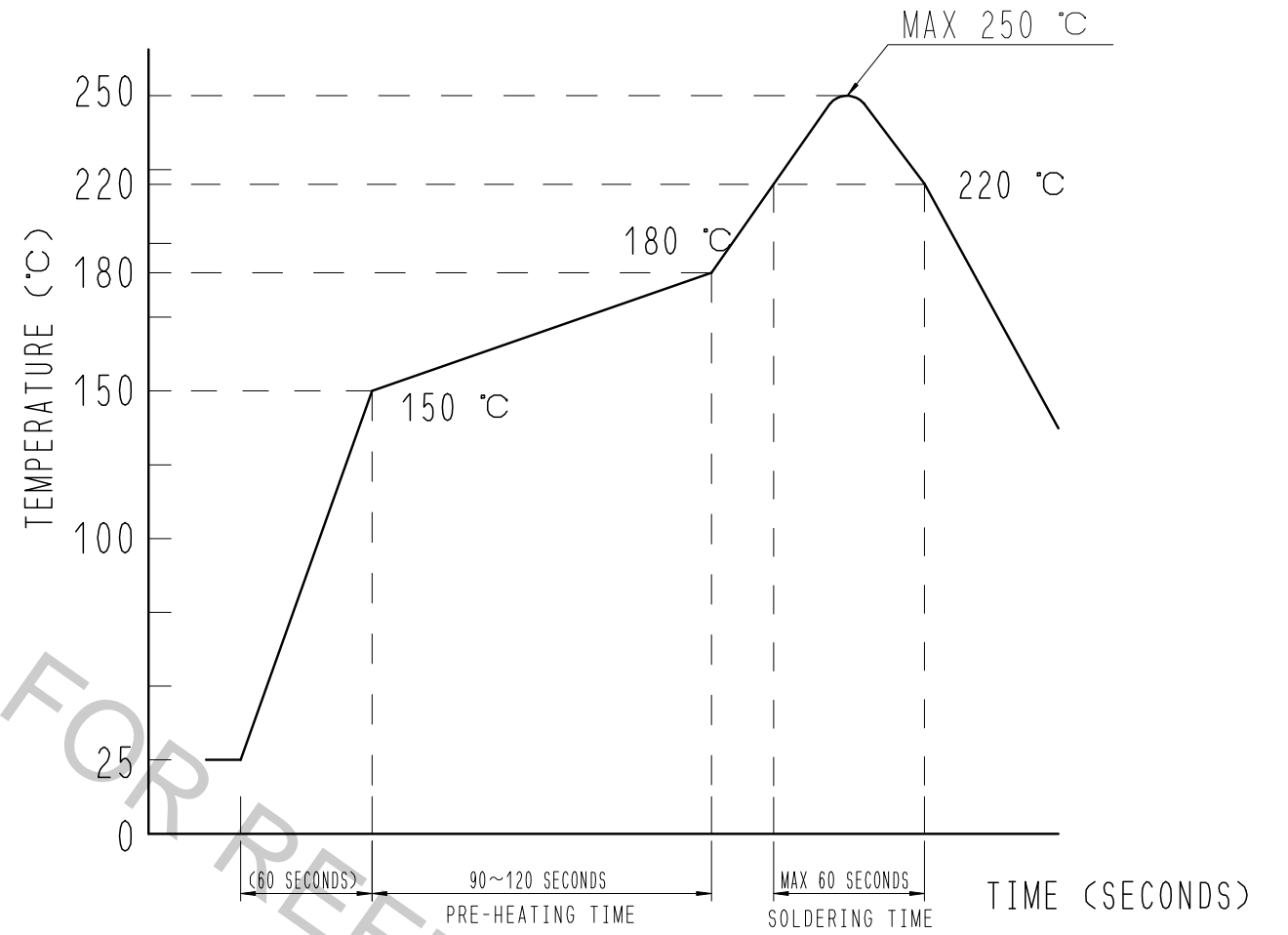


RECOMMENDED METAL MASK DIMENSIONS

METAL MASK THICKNESS : 100 μm



6 RECOMMENDED REFLOW TEMPERATURE PROFILE USING LEAD-FREE SOLDER PASTE.



REFLOW METHOD: N2 REFLOW
 NUMBER OF REFLOW CYCLES: 2 CYCLES MAX.
 1) REFLOW TIME
 DURATION ABOVE 220°C, 60 SEC MAX.
 (PEAK TEMPERATURE: 250°C MAX)
 2) PRE-HEAT TIME
 PRE-HEAT TEMPERATURE (MIN): 150°C
 PRE-HEAT TEMPERATURE (MAX): 180°C
 PRE-HEAT TIME: 90-120 SEC.

- 6 THIS TEMPERATURE PROFILE IS PER THE CONDITIONS SHOWN ABOVE. ADDITIONAL FACTORS, SUCH AS SOLDER PASTE TYPE, PCB SIZE AND OTHER MOUNTED COMPONENTS COULD AFFECT THE PROFILE. THEREFORE, A THOROUGH EVALUATION OF MOUNTING CONDITION IS REQUIRED PRIOR TO PRODUCTION. TEMPERATURE IS MEASURED AT CONTACT LEAD.
- 7 PLEASE CONTACT US IN CASE YOU WILL MAKE DIFFERENT SETTINGS FROM OUR RECOMMENDATION.

| | | | | |
|-------|-------------|----------------------------|----------|---------------------------|
| | DRAWING NO. | EDC3-632176 | PART NO. | BM23FR0.6-40DP-0.35V(895) |
| | SCALE | 10:1 | CODE NO | CL 6644-0082-9-895 |
| UNITS | mm | HRS HIROSE KOREA CO., LTD. | | 2/3 |

Aug.1.2018 Copyright 2018 HIROSE ELECTRIC CO., LTD. All Rights Reserved.
 In case that the application demands a high level of reliability, such as automotive,
 please contact a company representative for further information.

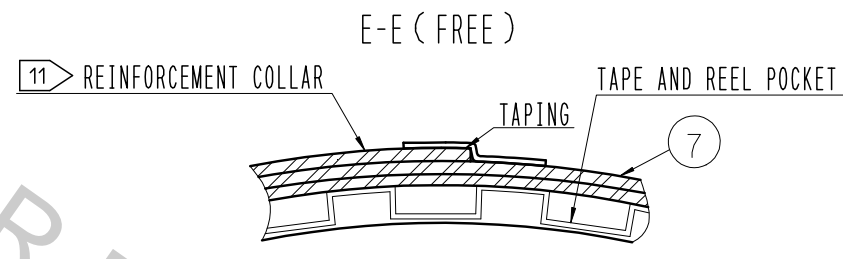
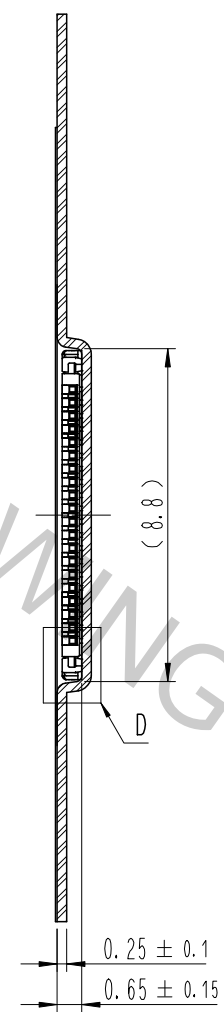
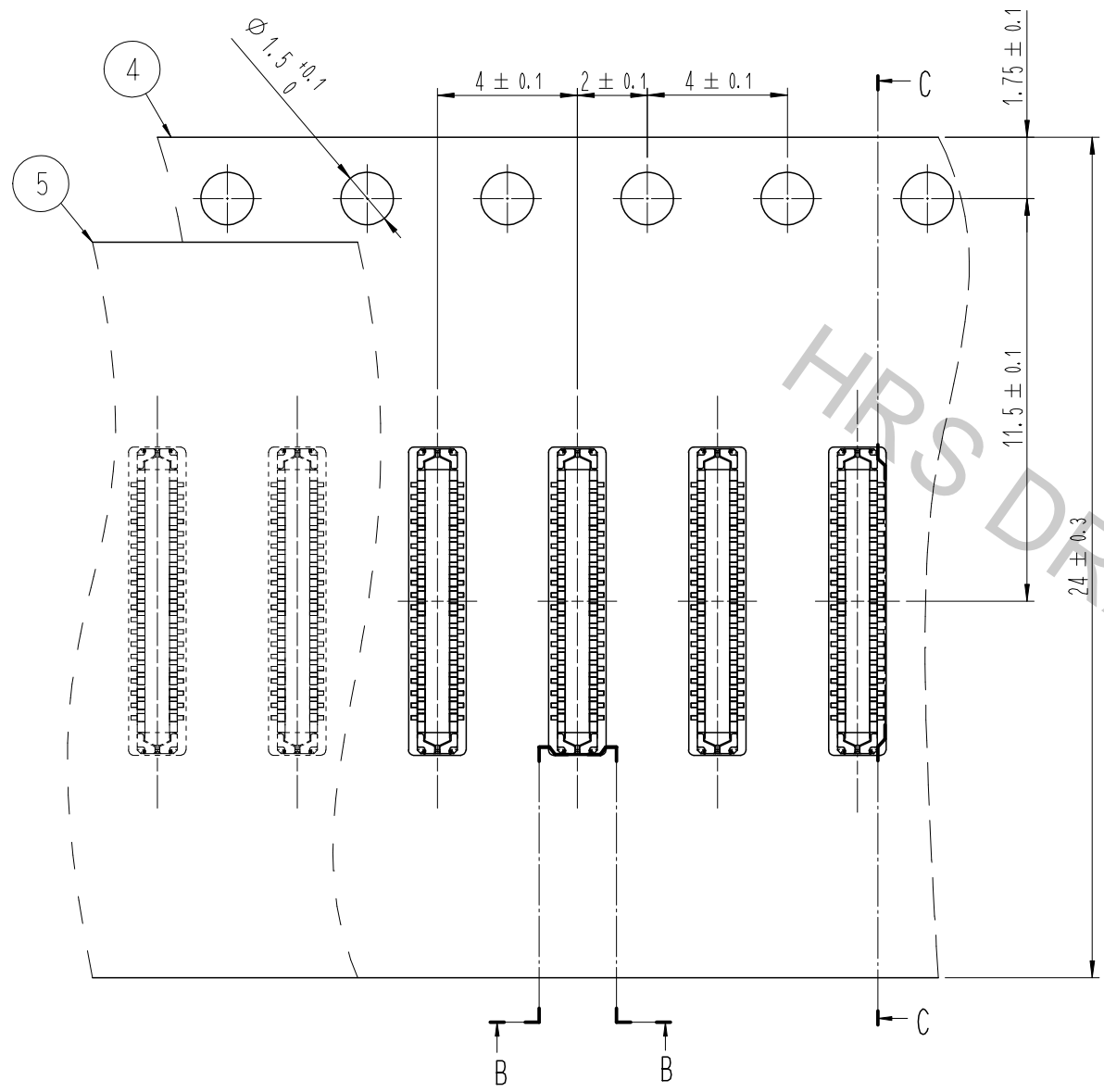
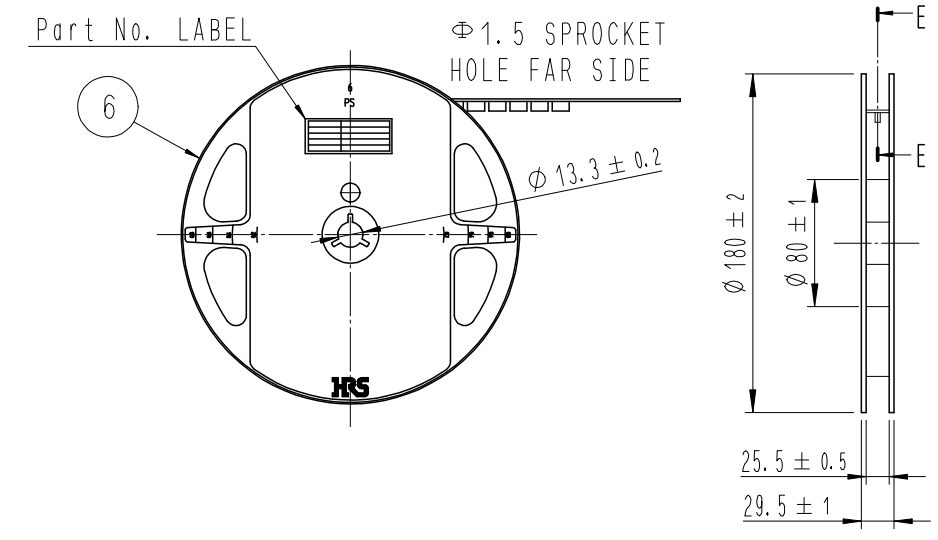
EMBOSSED CARRIER TAPE PACKAGING (5:1)

STYLE AND DIMENTION OF REEL (FREE)

A
B
C
D
E
F

A
B
C
D
E
F

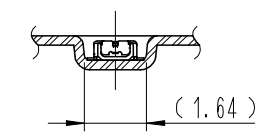
C-C (5:1)



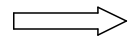
DETAIL OF PART No. LABEL

| | |
|----------------------|---------------------------|
| SUPPLIER | HIROSE ELECTRIC CO., LTD. |
| QUANTITY | 1,000 |
| PART NO. | BM23FR0.6-40DP-0.35V(895) |
| CODE NO. | CL 6644-0082-9-895 |
| DATE OF MANUFACTURED | 年 月 日 |
| 生産月日 | 年 月 日 |
| 図番 | ** ** * |
| 品名 | BM23FR0.6-40DP-0.35V(895) |
| 納入数量 | 1,000個 |
| 納入者 | HIROSE KOREA |

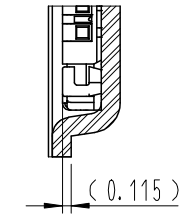
B-B (5:1)



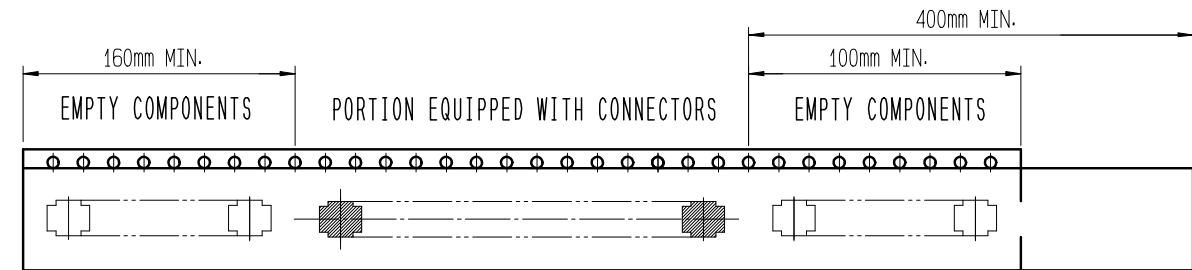
DIRECTION OF UNREELING



D (10:1)



10 TAPING(FREE)



- 8 . PER REEL 1,000 CONNECTORS.
- 9 . THE DIMENSIONS IN PARENTHESES ARE FOR REFERENCE.
- 10 REFER TO JIS C 0806, IEC-60286-3 (PACKAGING OF COMPONENTS FOR AUTOMATIC HANDLING)
- 11 AFTER PACKAGING, ROLL 2 METERS OF THE REINFORCEMENT COLLAR TO OUTER CIRCUMFERENCE OF TAPE AND REEL POCKET. AND TAPE DOWN AT THE END THE COLLAR.

| | | | | |
|---------------|-------------|------------------------|----------|-------------------------------|
| SCALE 10:1 | DRAWING NO. | EDC3-632176 | PART NO. | BM23FR0.6-40DP-0.35V(895) |
| | UNITS mm | HIROSE KOREA CO., LTD. | | CODE NO CL 6644-0082-9-895 |

3/3

1 2 3 4 5 6 7 8