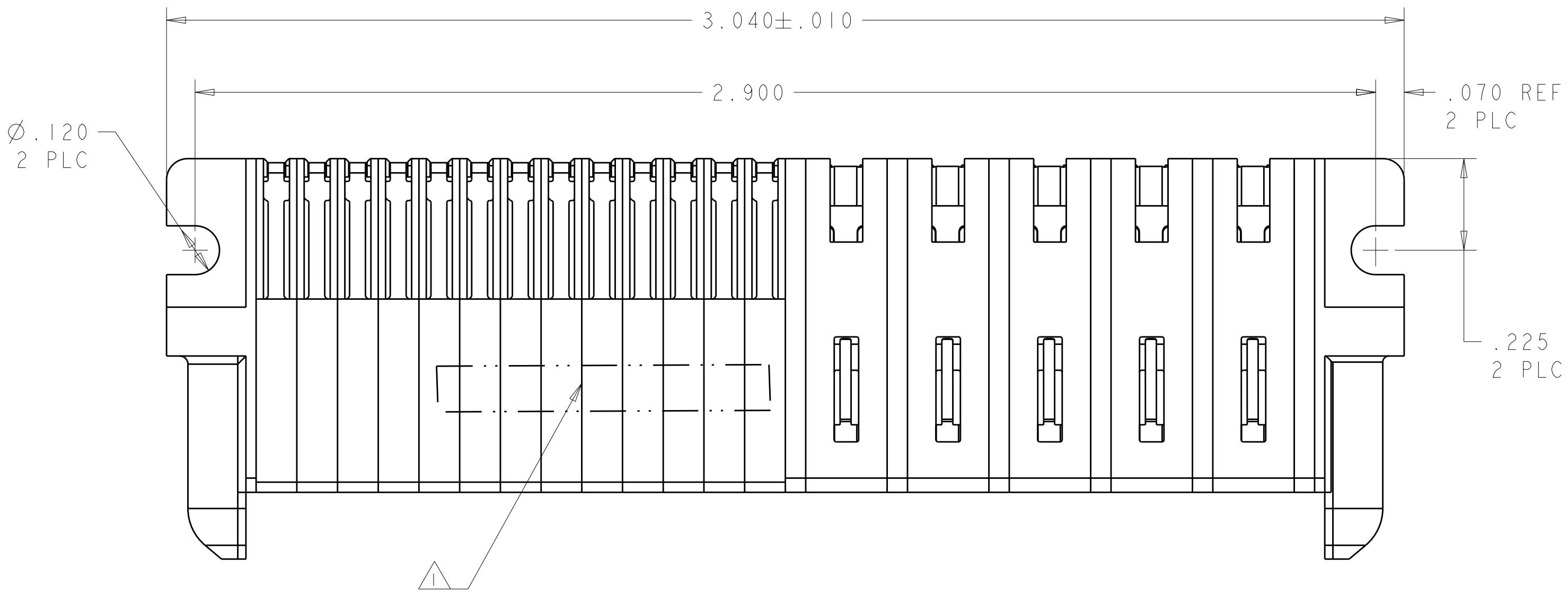
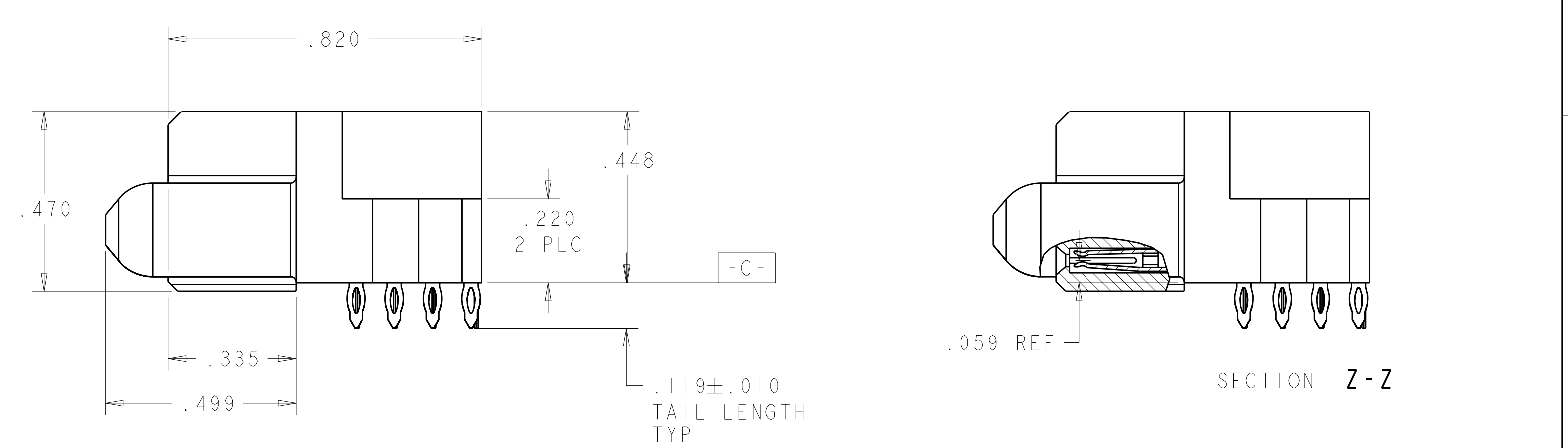
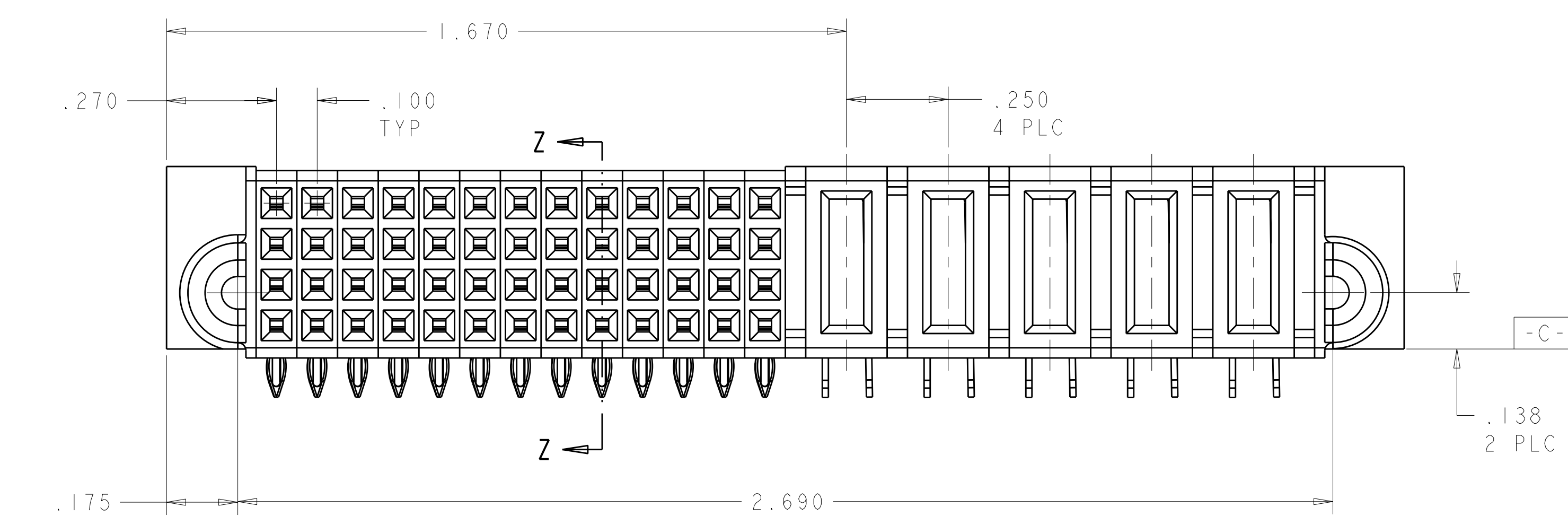


LOC	DIST	REVISIONS			
ES	00	REV	DATE	BY	CHKD
		A1	REV PER ECR-09-010583	11MAY2009	CZ SY
		A2	REV PER ECR-09-013640	16JUN2009	CZ SY
		A3	REV PER ECR-09-015550	10JUL2009	CZ SY
		A5	REV PER ECR-11-008404	07DEC2009	CZ SY



- 1 "AMP", PART NUMBER, AND DATECODE TO BE MARKED IN AREA SHOWN. PARTS UNDER 2.00[50.8] LONG MAY BE MARKED ON BOTH SIDES.
- 2 MATERIAL: HOUSING - GLASS FILLED HIGH TEMP THERMO PLASTIC, BLACK, UL94 V-0
 SIGNAL CONTACT - COPPER ALLOY
 POWER CONTACT - HIGH CONDUCTIVITY COPPER ALLOY
- 3 CONTACT PLATING: SIGNAL CONTACTS - .000050 MIN Ni UNDER ALL.
 .000030 MIN. Au ON CONTACT AREA.
 .000100 MIN Sn AT PCB INTERFACE.
 POWER CONTACTS - .000050 MIN Ni UNDER ALL.
 .000030 MIN Au AT CONTACT AREA.
 .000100 MIN Sn AT PCB INTERFACE.
- 4 MECHANICAL CONNECTOR KEEP OUT ZONE.
- 5 DATUM AND BASIC DIMENSIONS ESTABLISHED BY CUSTOMER.
- 6 PCB - HOLE DIAMETERS ARE FINISHED HOLE SIZE.
- 7 PCB - .0453 ± .0010 DRILLED HOLES PLATED WITH .0003 MIN Sn OVER .001 TO .003 Cu PLATING TO ACHIEVE A .040 DIA HOLE.



52S + 5P		6450882-5
DESCRIPTION		PART NUMBER
DIMENSIONS: INCHES TOLERANCES UNLESS OTHERWISE SPECIFIED: 9 PLC ±.01 1 PLC ±.01 2 PLC ±.01 3 PLC ±.01 4 PLC ±.005 5 PLC ±.005 ANGLES ±.0020 FINISH: 2, 3		
DWN: C. ZHOU 31MAR2009 CHK: S. ZHAO 31MAR2009 APVD: S. YAO		Tyco Electronics Corporation Shanghai, P.R.China, 200233
PRODUCT SPEC: 108-2292 APPLICATION SPEC: 114-13038		NAME: INVERTED RIGHT ANGLE RECEPTACLE AND SHORT END MODULAR MULTI-BEAM XLE SIZE: A100779 CAGE CODE: C=6450882-5 DRAWING NO: 6450882-5
MATERIAL: 2 FINISH: 3 WEIGHT: - CUSTOMER DRAWING		RESTRICTED TO: - SCALE: 4:1 SHEET: 1 OF 2 REV: A5

