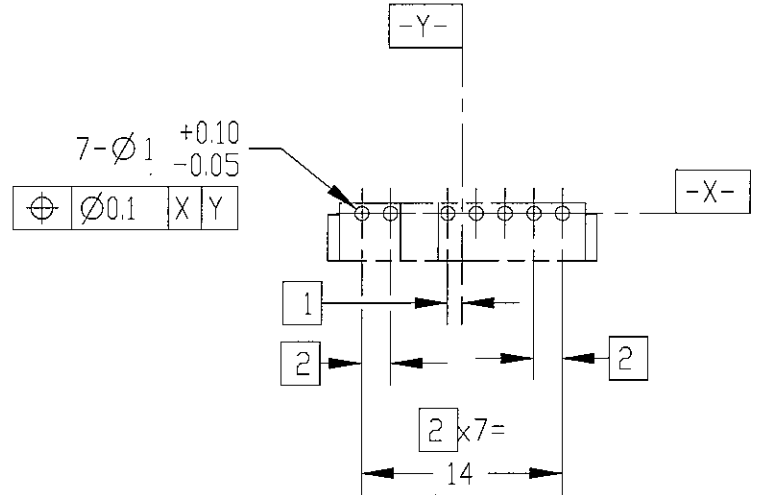
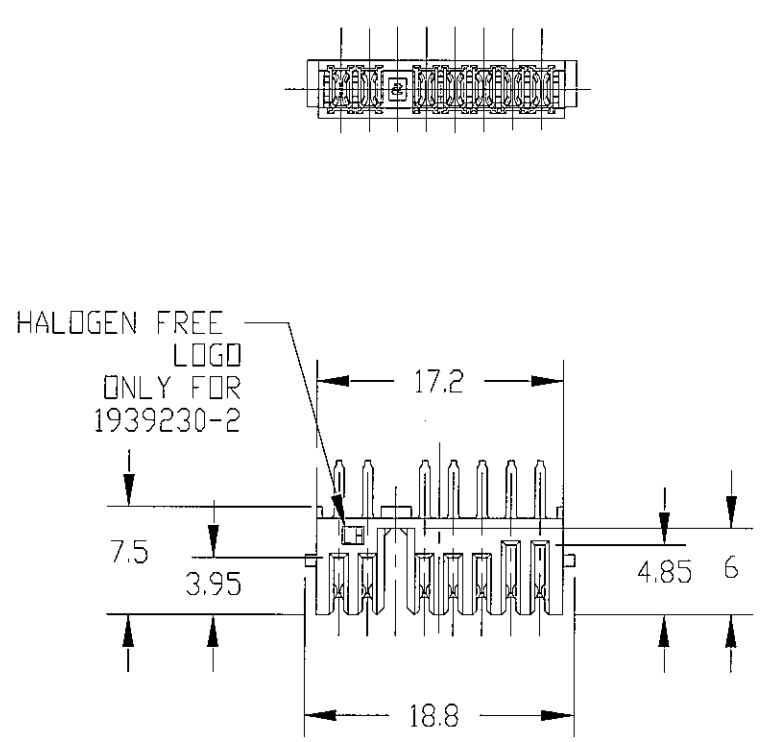


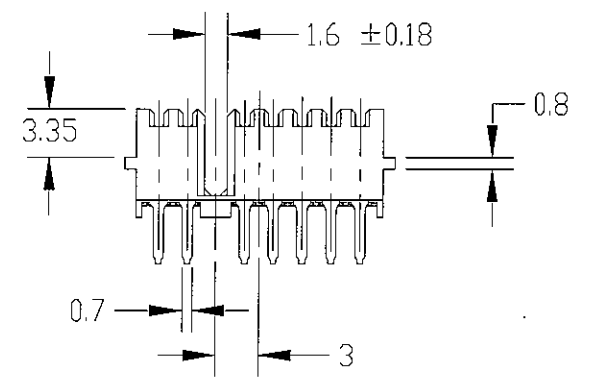
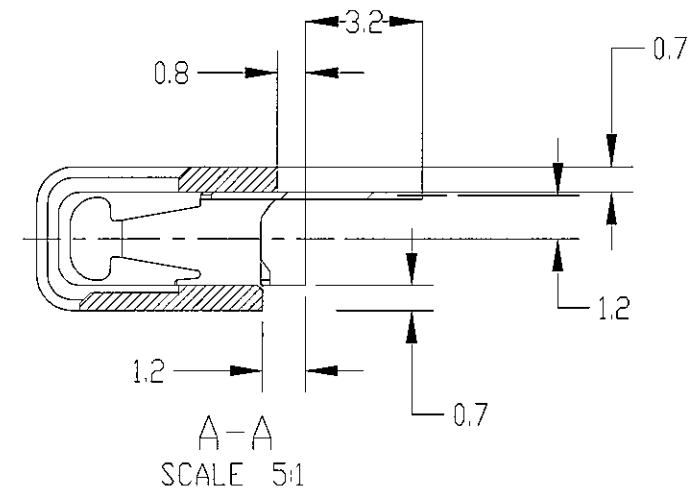
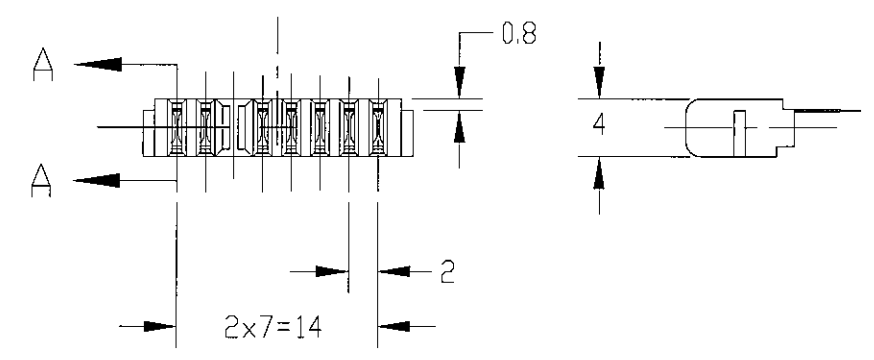
LDC	DIST	REVISIONS					
		P	LTR	DESCRIPTION	DATE	DWN	APVD
ES	-	A		RELEASED	24APR06	T.K	K.K
		A2		REVISED PER ECR-09-000157	08JAN2009	S.W	S.Y
		B		REVISED	06JAN2012	Y.W	S.K
		C		REVISED	24FEB2012	Y.W	S.K



REFERENCE P.C BOARD LAYOUT  
 P.C.BOARD THK. 0.8~1.2  
 (VIEW FROM CONNECTOR MOUNTING SIDE)

- 1 MATERIAL  
 CONTACT: COPPER ALLOY  
 HOUSING: THERMOPLASTIC RESIN UL94V-0.BLACK
- 2 FINISH  
 CONTACT: NICKEL ALL OVER UNDER PLATING,  
 GOLD PLATING AT CONTACT AREA,  
 TIN PLATING AT LEAD AREA.

DIP TYPE

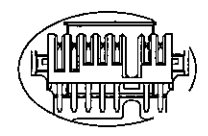
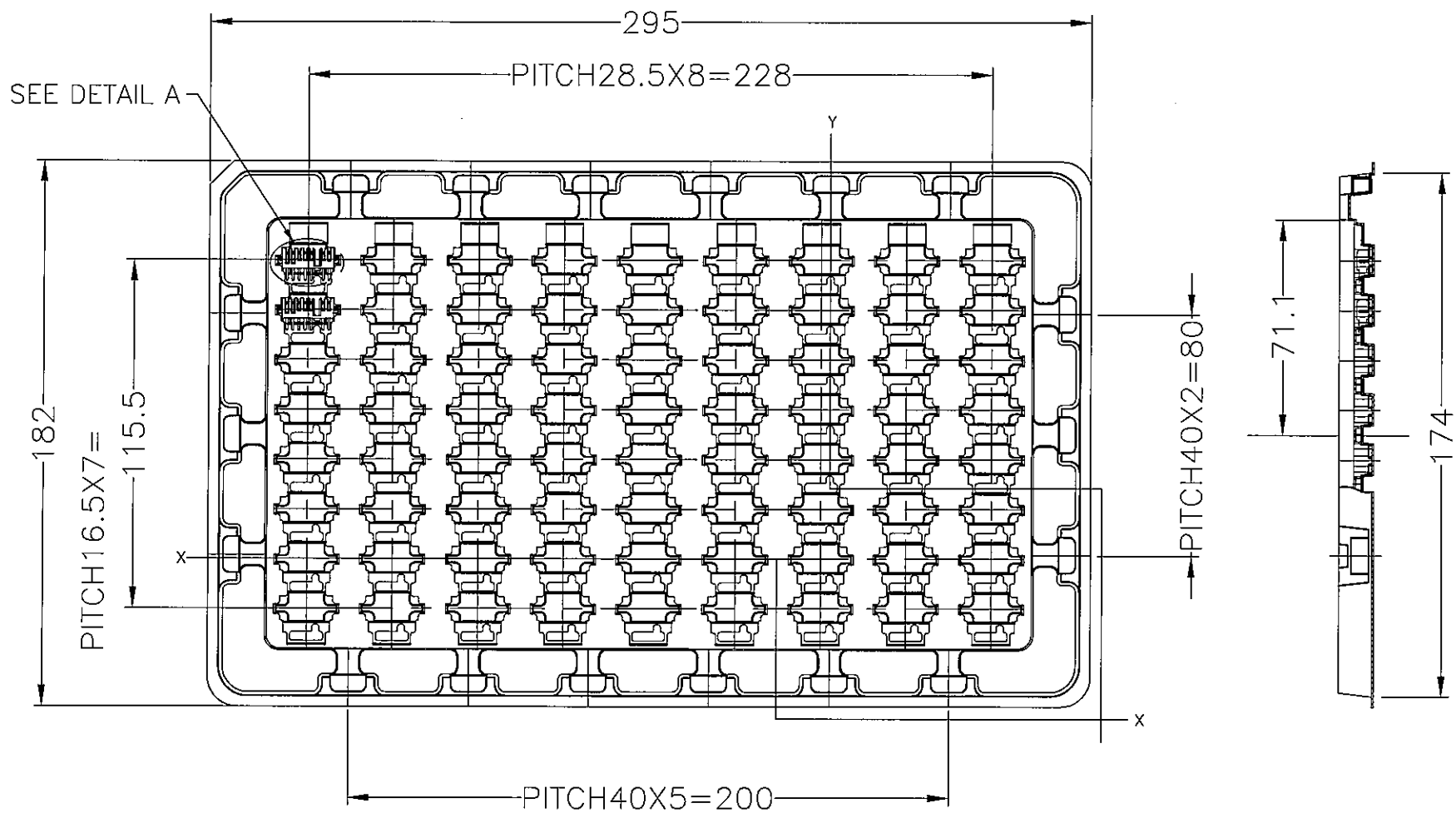


HALOGEN FREE	1-1939230-2
HALOGEN FREE	1939230-2
HALOGEN	1939230-1
HOUSING MATERIAL	P/N

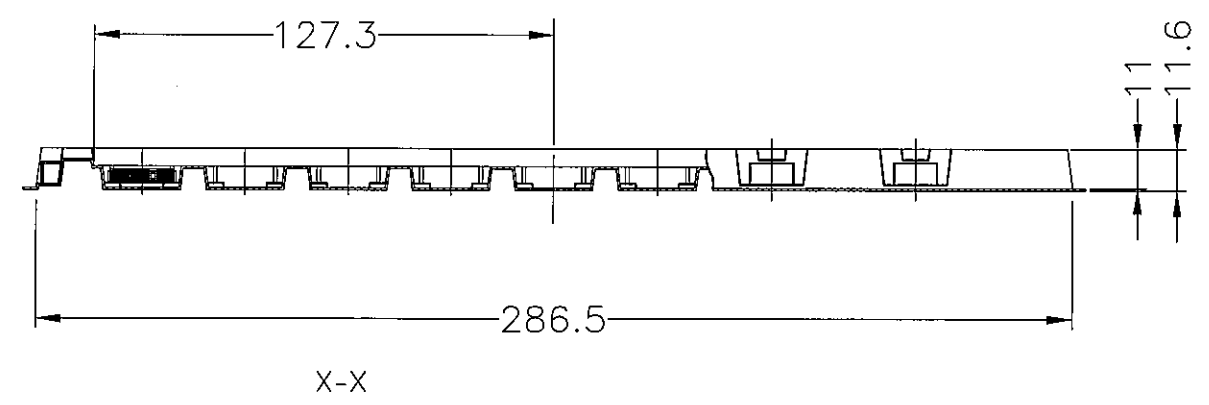
THIS DRAWING IS A CONTROLLED DOCUMENT FOR TYCO ELECTRONICS CORPORATION IT IS SUBJECT TO CHANGE AND THE CONTROLLING ENGINEERING ORGANIZATION SHOULD BE CONTACTED FOR THE LATEST REVISION.		DWN TKATANO 24APR06	TE Connectivity		
DIMENSIONS: mm		CHK K.KODAIRA 24APR06			
TOLERANCES UNLESS OTHERWISE SPECIFIED: ±0.3		APVD K.KODAIRA 24APR06	NAME RECEPTACLE ASSEMBLY 7POS. REVERSE TYPE 2mm PITCH BATTERY CONNECTOR		
0-PLC ± 1-PLC ±0.1 2-PLC ±0.01 3-PLC ±0.001 4-PLC ±0.0001 ANGLES ±3		PRODUCT SPEC 108-78292	SIZE A3	CAGE CODE 00779	DRAWING NO C-1939230
MATERIAL 1	FINISH 2	APPLICATION SPEC -	WEIGHT 0.7g	RESTRICTED TO -	
CUSTOMER DRAWING			SCALE 2:1	SHEET 1 OF 2	REV C

THIS DRAWING IS UNPUBLISHED. RELEASED FOR PUBLICATION  
 © COPYRIGHT 2005 By Tyco Electronics Japan G.K. ALL RIGHTS RESERVED.

LOC	DIST	REVISIONS					
		P	LTR	DESCRIPTION	DATE	DWN	APVD
J	-	-	-	SEE SHEET 1	-	-	-



DETAIL A  
SCALE 1:1



1. 72PCS/TRAY

THIS DRAWING IS A CONTROLLED DOCUMENT.		DWN T.KATANO	24APR06	<b>TE</b> TE Connectivity													
DIMENSIONS: 単位: 種 mm		CHK K.KODAIRA	24APR06														
TOLERANCES UNLESS OTHERWISE SPECIFIED: 一般公差 ±0.3		APVD K.KODAIRA	24APR06	NAME 名称													
<table border="1"> <tr><td>0-PLC</td><td>±2</td></tr> <tr><td>1-PLC</td><td>±1</td></tr> <tr><td>2-PLC</td><td>±</td></tr> <tr><td>3-PLC</td><td>±</td></tr> <tr><td>4-PLC</td><td>±</td></tr> <tr><td>ANGLES</td><td>±3</td></tr> </table>		0-PLC	±2	1-PLC	±1	2-PLC	±	3-PLC	±	4-PLC	±	ANGLES	±3	PRODUCT SPEC 製品規格		RECEPTACLE ASSEMBLY 7POS. REVERSE TYPE 2mm PITCH BATTERY CONNECTOR	
0-PLC	±2																
1-PLC	±1																
2-PLC	±																
3-PLC	±																
4-PLC	±																
ANGLES	±3																
MATERIAL 材料		APPLICATION SPEC 取付適用規格		SIZE	RESTRICTED TO												
FINISH 仕上		WEIGHT		CAGE CODE	DRAWING NO 番号												
		CUSTOMER DRAWING		A300779	1939230												
		SCALE 尺度		SHEET	REV												
		1:2		2 of 2	C												