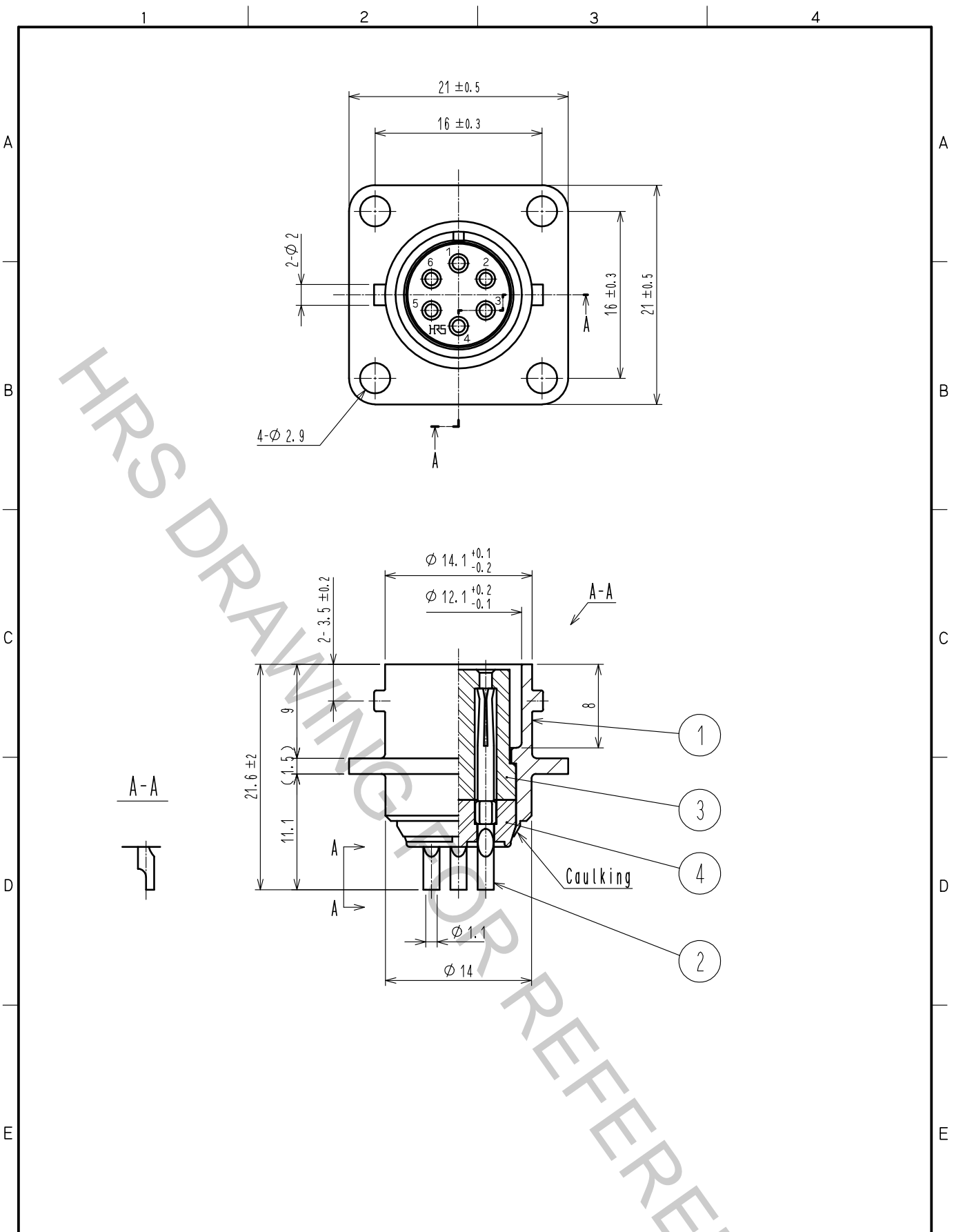


Aug.1.2018 Copyright 2018 HIROSE ELECTRIC CO., LTD. All Rights Reserved.
 In case that the application demands a high level of reliability, such as automotive,
 please contact a company representative for further information.



2	COPPER ALLOY	Silver plating 5 μm min.	4	PPS	(Black)	UL94V-0
1	ZINC ALLOY	Matte finish nickel plating	3	PPS	(Black)	UL94V-0
NO.	MATERIAL	FINISH . REMARKS	NO.	MATERIAL	FINISH . REMARKS	
UNITS mm		SCALE 2 : 1	COUNT 	DESCRIPTION OF REVISIONS		DESIGNED
HIROSE ELECTRIC CO., LTD.		APPROVED :HY. KOBAYASHI 15.11.19	DRAWING NO. EDC-006362-81-00		DESIGNED	CHECKED
		CHECKED :HY. KOBAYASHI 15.11.19	PART NO. RM12BRB-6S(81)			
		DESIGNED :KN. IKEHARA 15.11.19	CODE NO. CL109-0581-0-81			
		DRAWN :KN. IKEHARA 15.11.19				