

COMBO-DUAL-BAND IoT MODULE

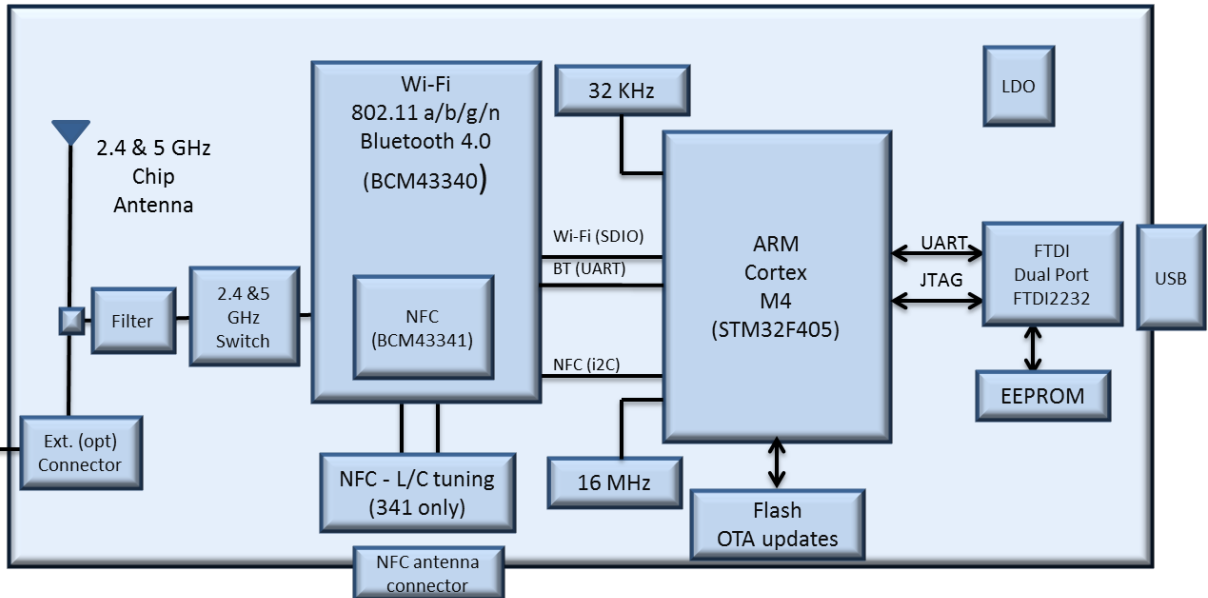
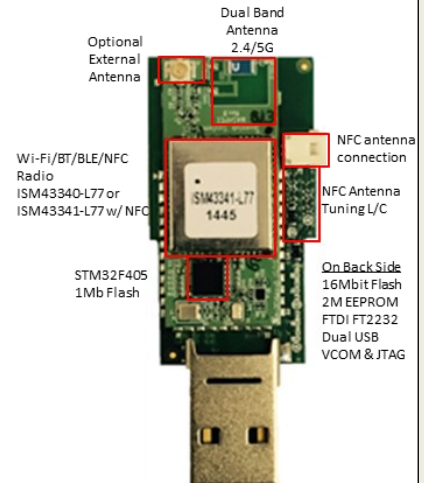
Dual-Band Wi-Fi with Bluetooth Smart Bridge with NFC

The Inventek ISM341-USB is an embedded wireless Internet Connectivity device that operate in the 2.4 & 5 GHz spectrum. The Wi-Fi modules hardware consists of a ARM Cortex M4 host processor, Broadcom BCM43341 Dual-Band (2.4 GHz / 5 GHz) 802.11 g/n MAC/Baseband/Radio with Integrated Bluetooth 4.0, and NFC. Also, the device has two antenna options, a dual band chip antenna or an U.FI connector for external antenna.

The module provides a USB VCOM port and JTAG port interfaces enabling easy connection to an embedded design.

Main Features

- ◆ 802.11 a, b, g , n compliant based on Broadcom MAC/Baseband/Radio device
- ◆ Bluetooth 4.0 & NFC
- ◆ Fully contained TCP/IP stack minimizing host CPU requirements
- ◆ Configurable through simple AT commands
- ◆ IEEE 802.11 a/b/g/n compliant
- ◆ Soft Access Point for up to 4 clients for configuration and ad-hoc networks
- ◆ Host interfaces: USB (HID/VCP/ JTAG)
- ◆ Network features
 ICMP (Ping),
 ARP,
 DHCP,TCP,
 UDP
- ◆ Secure Wi-Fi authentication WEP-128, WPA-PSK (TKIP), WPA2-PSK



Device	Description	Firmware	Ordering Number
ISM340-USB	USB Wi-Fi / BLE dongle, with ISM43341-M4G-L44 or ISM43340-M4G-L44	USB	ISM340 -USB
			ISM341-USB (Includes NFC)