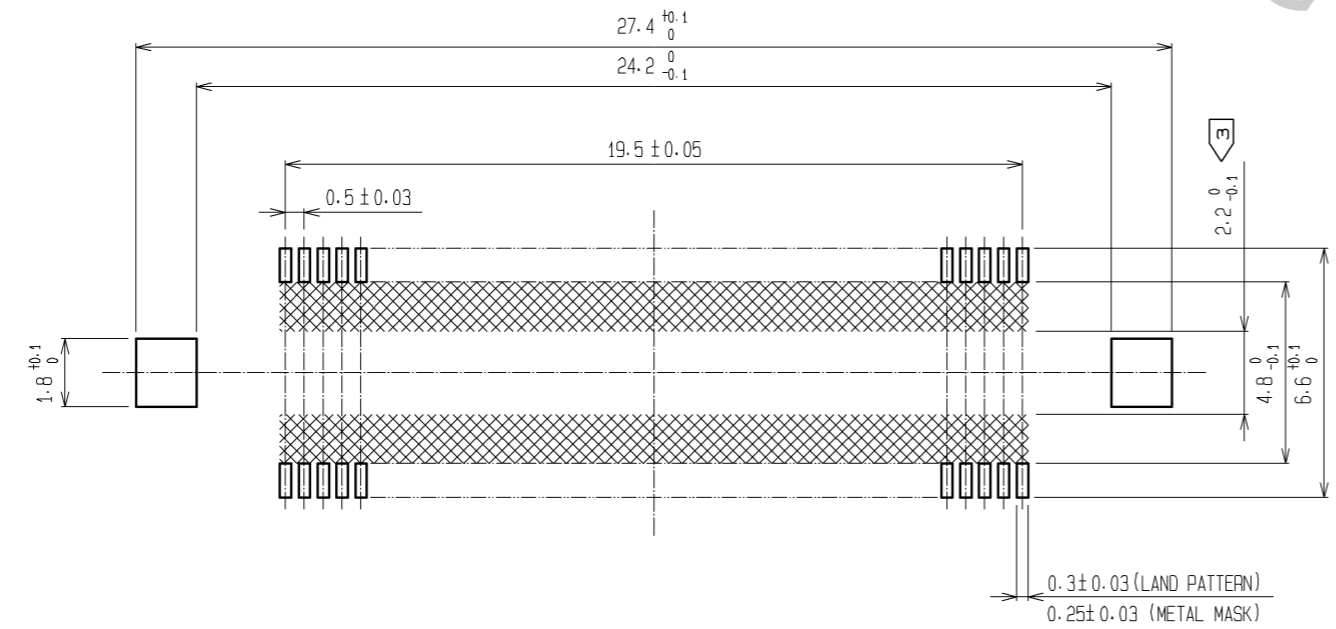


RECOMMENDED LAND PATTERN DIMENSION OF PCB  
(RECOMMENDED METAL MASK THICKNESS : 0.15mm)

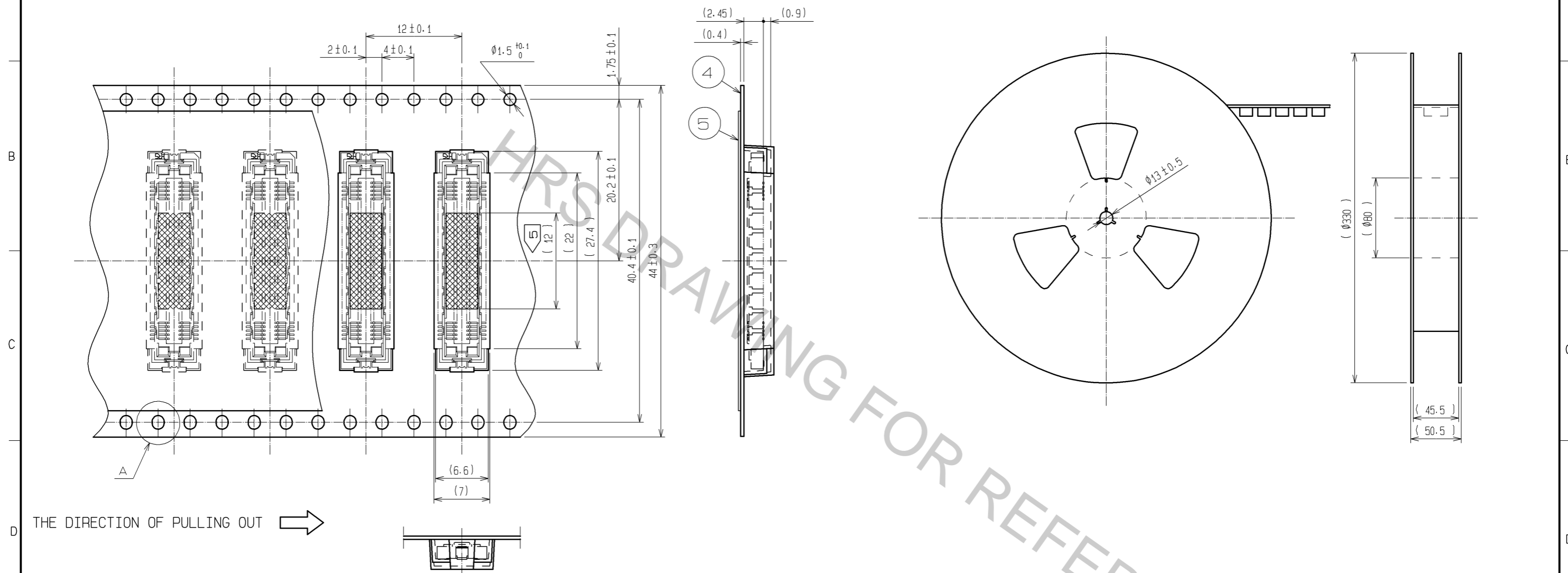


- NOTES
- 1 SMT LEAD-COPLANARITY: 0.1 MAX.
  - 2 THIS PRODUCT HAS NO POLARITY TO PATTERN FOR MOUNTING.
  - 3 MAKE SURE WIDTH OF PATTERN IS WITHIN THAT OF LAND, OR LEAD MAY TOUCH PATTERN. (THIS APPLIES TO HATCHED AREA.)
  - 4 TO BE EMBOSSED CARRIER TAPED AS SPECIFIED IN SHEET 2.
  - 5 THE DIMENSIONS IN PARENTHESES ARE FOR REFERENCE.

3	PHOSPHOR BRONZE	TIN PLATING						
2	PHOSPHOR BRONZE	CONTACT AREA : GOLD 0.1μm min.	6	POLYIMIDE	(TAPE FOR VACUUM PICKUP)			
		LEAD AREA : GOLD FLASH	5	PET	TOP COVER TAPE			
1	LCP	BEIGE UL94V-0	4	PS	EMBOSSED CARRIER TAPE			
NO.	MATERIAL	FINISH . REMARKS	NO.	MATERIAL	FINISH . REMARKS			
UNITS	mm	SCALE	5 : 1	COUNT	DESCRIPTION OF REVISIONS	DESIGNED	CHECKED	DATE
APPROVED : HS. OKAWA		08.06.03	DRAWING NO.		EDC3-152648-02			
CHECKED : HS. OZAWA		08.06.03	PART NO.		FX11B-80S-SV(22)			
DESIGNED : SY. KAMIGA		08.06.03	CODE NO.		CL573-0758-3-22			
DRAWN : HK. SUNADORI		08.06.02						

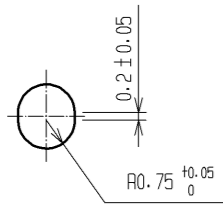
# DRAWING FOR PACKING(2:1)

REELED DIMENSION(Free)

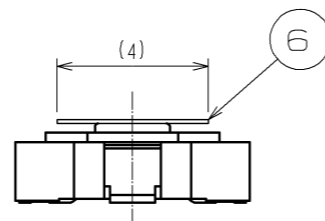


THE DIRECTION OF PULLING OUT →

A (5:1)



DETAIL FOR VACUUM PICKUP (5:1)



- NOTES
- 1 1 REEL : 1000 CONNECTORS.
  - 2 MINIMUM 10 COMPARTMENTS FROM BOTH REEL ENDS REMAIN EMPTY.
  - 3 THIS PRODUCT HAS NO POLARITY TO TAPE AND REEL PACKAGING.
  - 4 THE DIMENSIONS IN PARENTHESES ARE FOR REFERENCE.
  - 5 REMOVE THE VACUUM PICKUP TAPE AFTER MOUNTING THE CONNECTOR.

<b>HRS</b>	DRAWING NO.	EDC3-152648-02
	PART NO.	FX11B-80S-SV(22)
	CODE NO.	CL573-0758-3-22
		△ 2/2