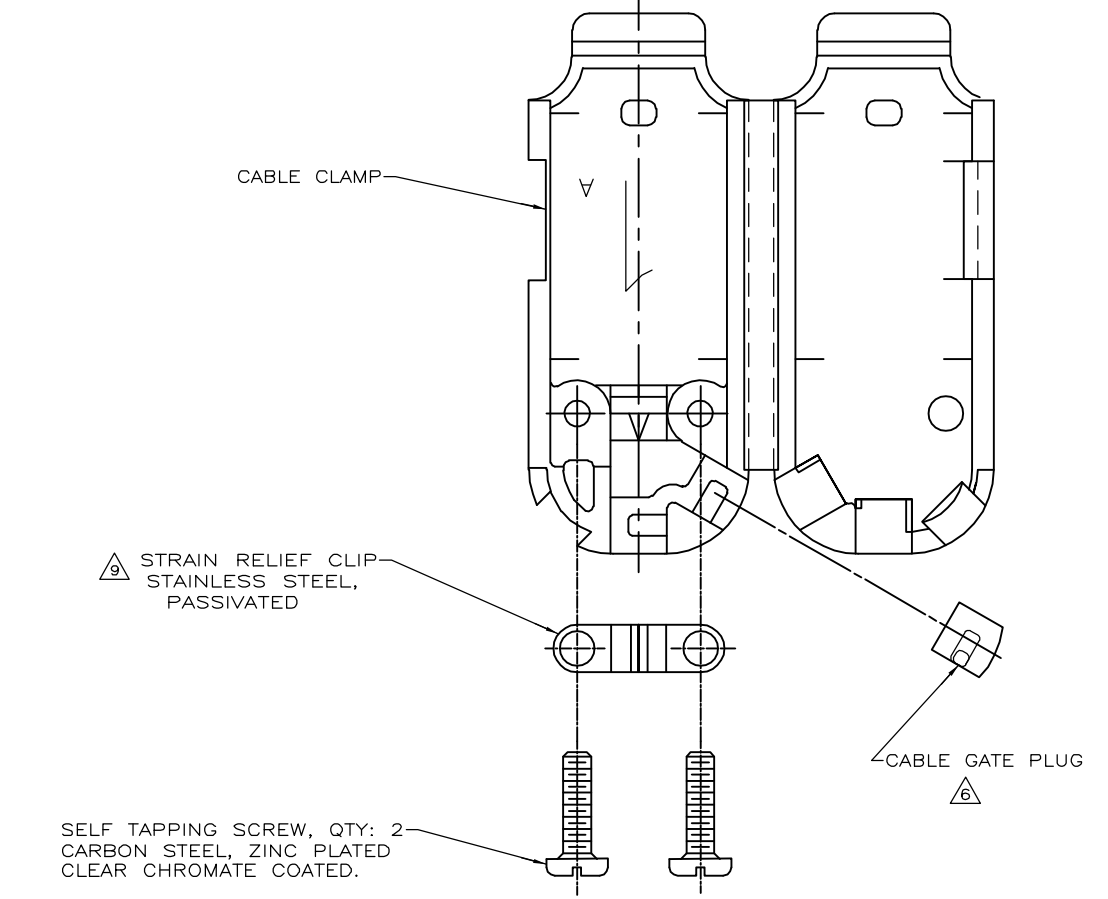
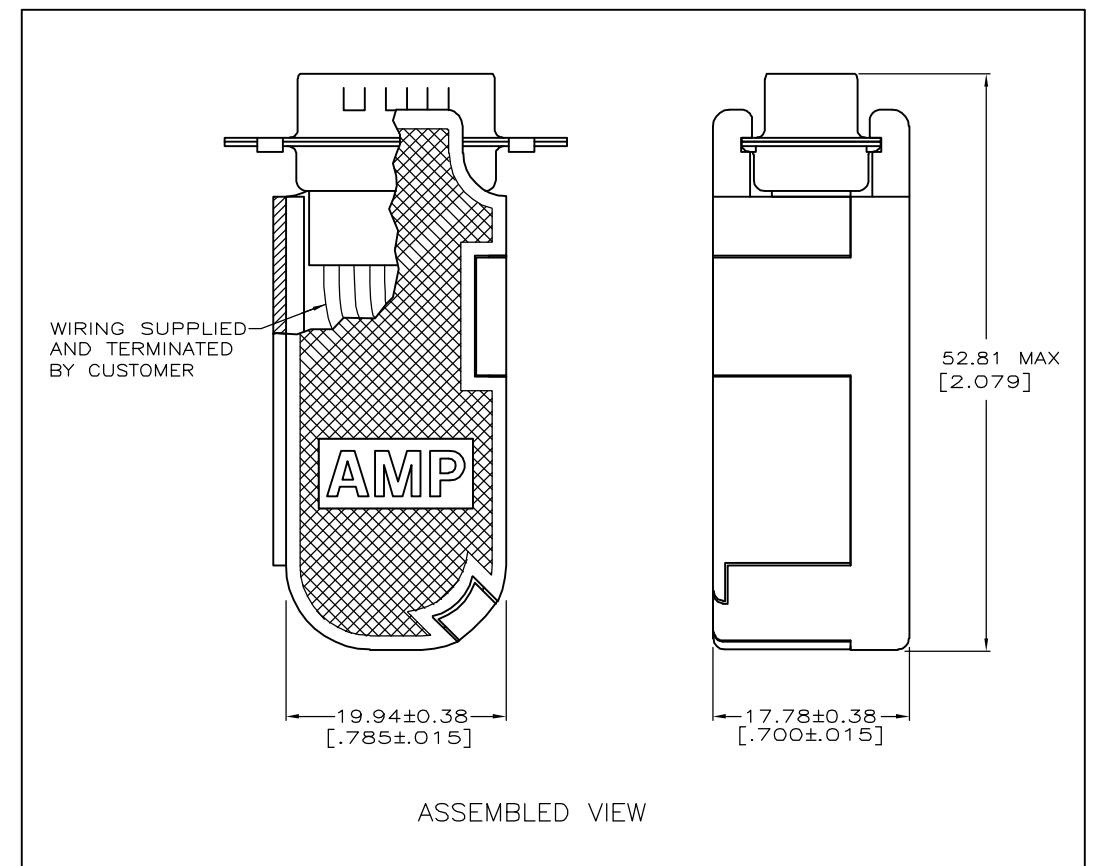
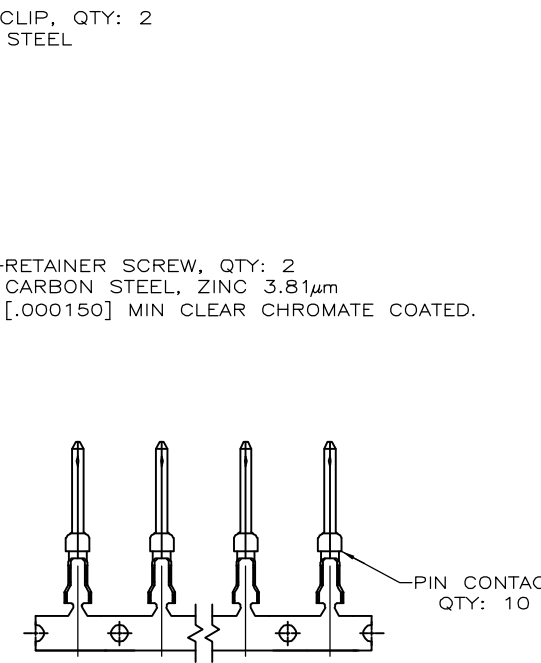
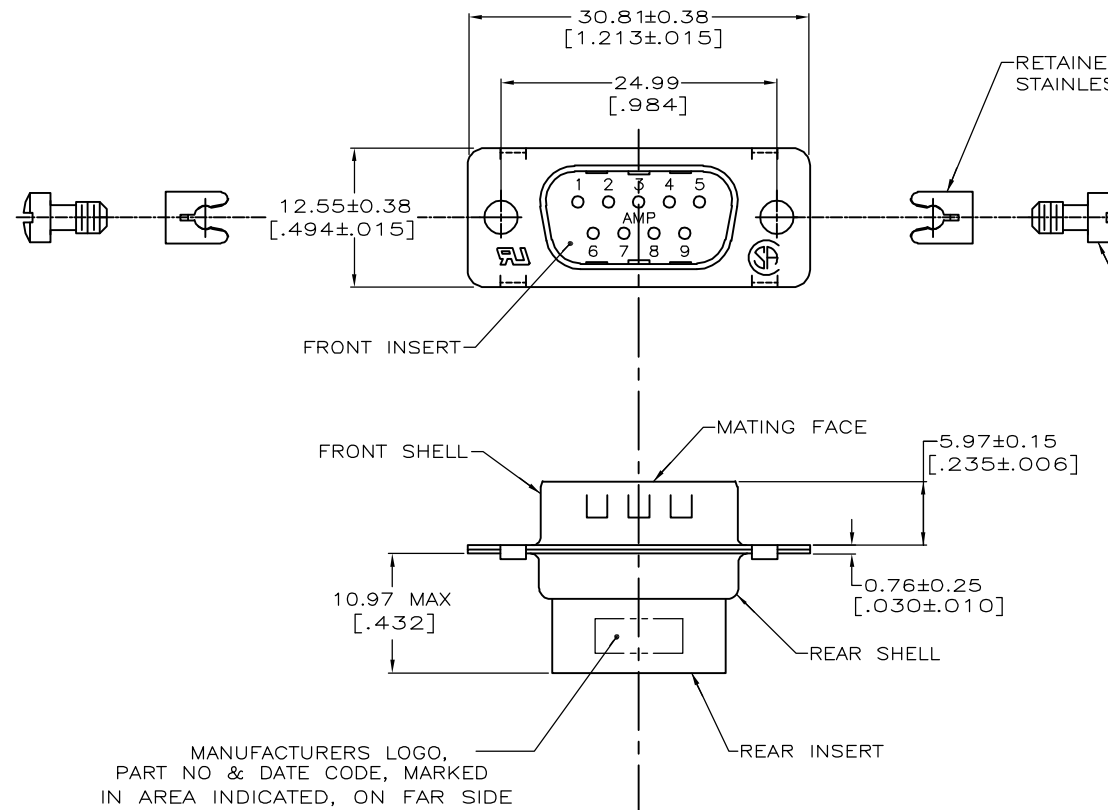


THIS DRAWING IS UNPUBLISHED. RELEASED FOR PUBLICATION
 © COPYRIGHT - BY TYCO ELECTRONICS CORPORATION. ALL RIGHTS RESERVED.

| LOC | DIST | REVISIONS | | | |
|-----|------|-------------|-----------------------------|---------|-------|
| P | LTR | DESCRIPTION | DATE | DWN | APVD |
| GP | 00 | A | REVISED PER EC 0S13-0266-05 | 18JUL06 | BM CR |



- 1. CONTACTS ACCEPT 20-24 AWG RANGE.
- △ INSERTS: NYLON, GLASS FILLED, UL 94V-0 RATED, BLACK.
- △ CABLE CLAMP & CABLE GATE PLUG: POLYPROPYLENE, BLACK
- △ CONTACTS: BRASS.
- △ SHELLS: CARBON STEEL.
- △ CABLE GATE PLUG TO BE PLACED IN CABLE EXIT NOT BEING USED.
- △ CONTACTS: GOLD FLASH FOR A LENGTH OF 3.81 [.150] MIN FROM MATING END, 2.54µm [.000100] MIN TIN ON OPPOSITE END FOR A LENGTH OF 4.06 [.160] MIN FROM END OF INSULATION BARREL, BOTH OVER 0.76µm [.000030] MIN NICKEL ON ENTIRE CONTACT.
- △ SHELLS: 5.08µm [.000200] MIN TIN OVER 2.54µm [.000100] MIN COPPER.
- △ STRAIN RELIEF CLIP CAN BE REVERSED FOR PROPER INSTALLATION, DEPENDING ON SIZE OF CABLE DIAMETER.
- 10. CABLE DIAMETER RANGE = 1.91-6.35 [.075-.250].

749808-8
PART NUMBER

| | | | | |
|----------------------------------------|--|-----------------------------------|---------------------------------------------------------------------------|--|
| THIS DRAWING IS A CONTROLLED DOCUMENT. | | DWN 12-22-04 L. VARELA - DOCK5 | Tyco Electronics Corporation Harrisburg, Pa 17105-3608 | |
| DIMENSIONS: mm [INCHES] | | CHK 12-22-04 J. GERACE | | |
| TOLERANCES UNLESS OTHERWISE SPECIFIED: | | APVD 12-22-04 M. WALMSLEY | NAME PLUG KIT, UNASSEMBLED, SIZE 1, 9 POSITION, AMPLIMITE HDP-20 | |
| 0 PLC ± - | | PRODUCT SPEC 108-40005 | RESTRICTED TO | |
| 1 PLC ± - | | APPLICATION SPEC | SIZE CAGE CODE DRAWING NO | |
| 2 PLC ± 0.13 [.005] | | 114-10000 & 114-40030 | A3 00779 C-749808-8 | |
| 3 PLC ± - | | WEIGHT - | SCALE 3:1 SHEET 1 OF 1 REV A | |
| 4 PLC ± - | | CUSTOMER DRAWING | | |
| ANGLES ± - | | | | |
| MATERIAL | | | | |
| FINISH | | | | |