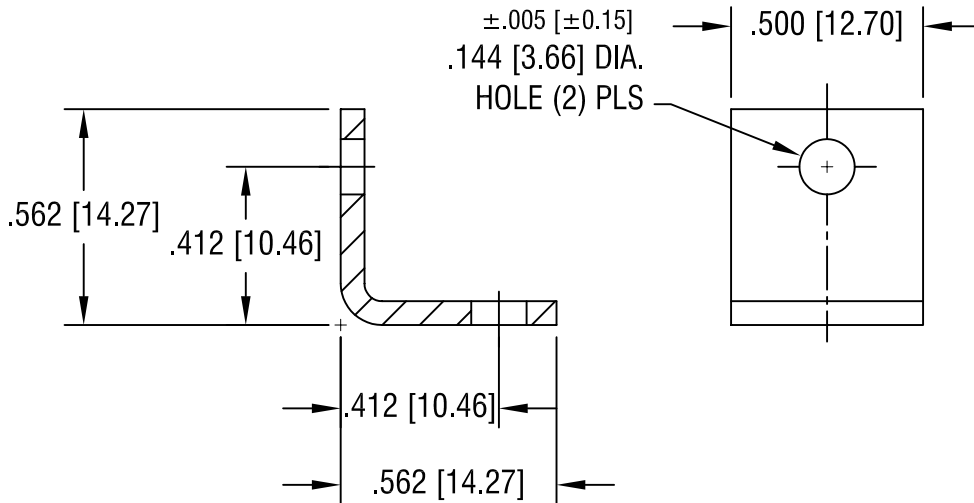


THIS DOCUMENT IS THE PROPERTY OF  
KEYSTONE ELECTRONICS CORP. AND  
SHALL NOT BE REPRODUCED, DISTRIBUTED  
OR USED AS A BASIS FOR MANUFACTURE  
WITHOUT PRIOR WRITTEN PERMISSION  
FROM KEYSTONE ELECTRONICS CORP.



**KEYSTONE ELECTRONICS CORP.**

ASTORIA, N.Y. 11105-2017

PART NAME

BRACKET

MATERIAL

$.062$  [ $1.52$ ] TH'K STEEL

FINISH

NICKEL PLATE

DRN BY

BOONE

DATE

10.23.91

APPD

LN

SCALE

2X

TOLERANCES

INCH [MM]

DECIMAL  $\pm .010$  [ $\pm 0.25$ ]

ANGULAR  $\pm 1^\circ$

UNLESS OTHERWISE SPECIFIED

CODE

C

DWG NO.

4336

1.22.01 CHANGE AS PER ECN 01-007

A

DATE

DESCRIPTION

REV.