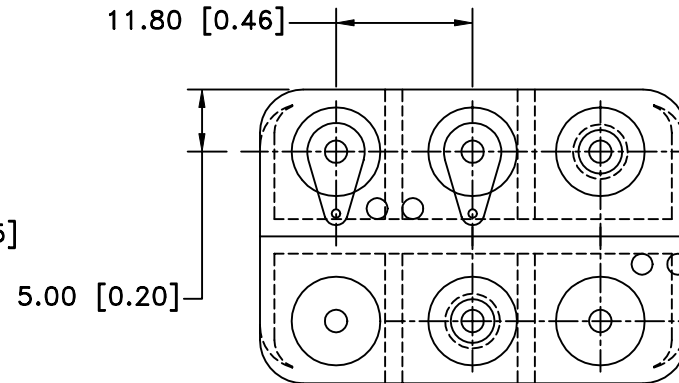
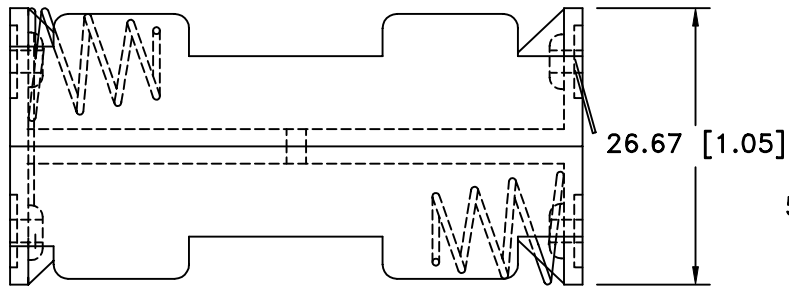
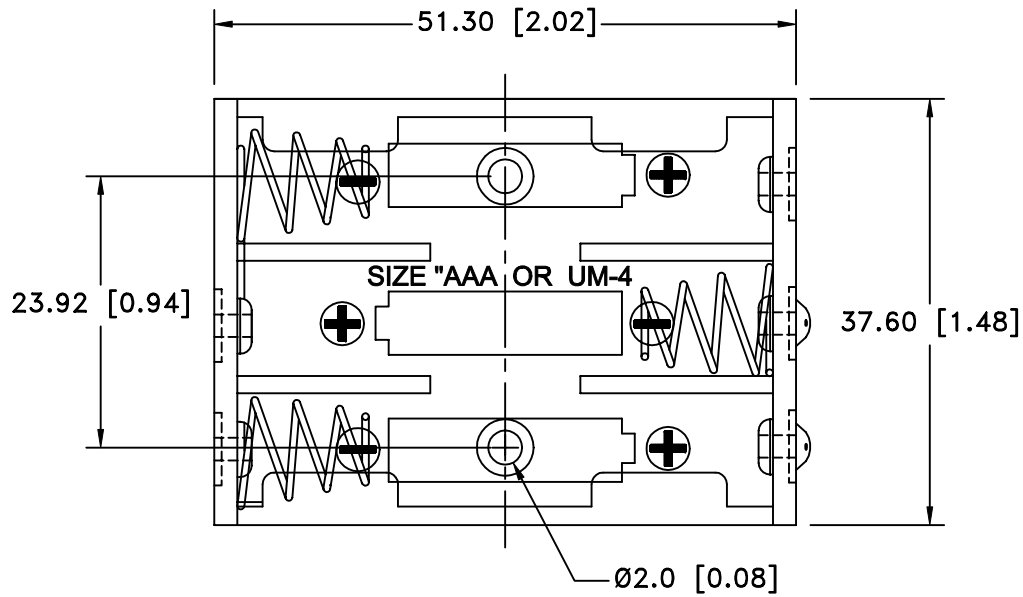



Date	SYM	REVISION RECORD	AUTH	DR.	CK.



NOTES:

1. MATERIAL:

- HOUSING : BLACK POLYPROPYLENE
- RIVETS: BRASS, NICKLE PLTD.
- SPRING: SPRING STEEL, NICKLE PLTD.

Tolerance (Except as noted)	 Memory Protection Devices, Inc 200 Broad Hollow Road, Farmingdale, New York 11735		
decimal ±.5 (.020)	Scale	Drawn By B.S.	
Fractional ± .8 (.030)	Title SIX "AAA" CELL HOLDER		
Angular ± 3°	Date 10/20/01	Drawing Number BH26AAAL	
		Approved By T.B.	