

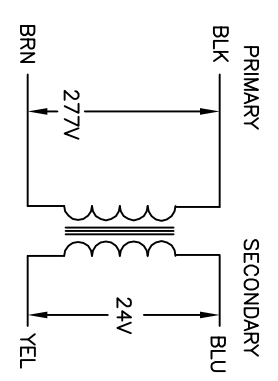
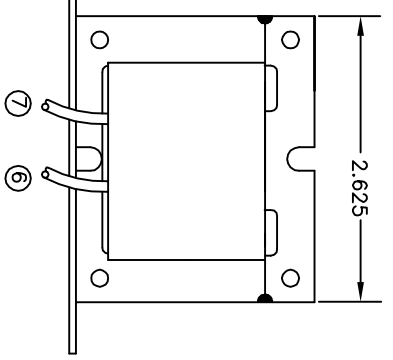
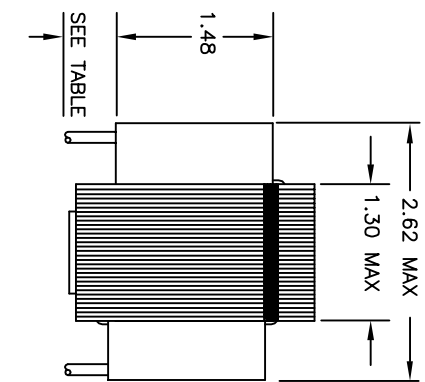
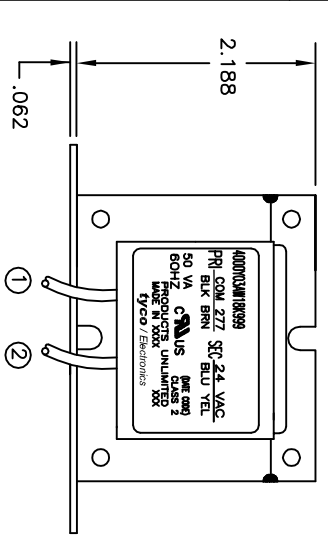
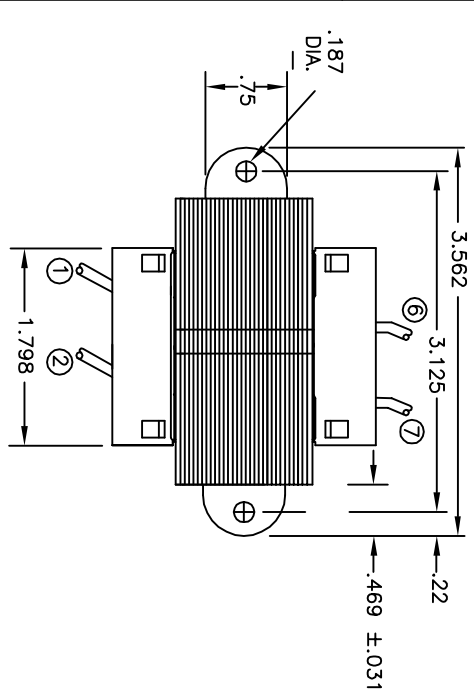
ALL LEADS 18AWG-UNLESS OTHERWISE SPECIFIED

LEAD NO.	1	2	3	4	5	6	7	8	9
VOLTAGE	COM	277				24	VAC		
COLOR	BLK	BRN				BLU	YEL		
LENGTH	12.0	12.0				12.0	12.0		
STRIP LENGTH	.50	.50				.50	.50		

NOTES:
 1. DIMENSIONS FOR REFERENCE ONLY.
 2. ALL LEADS +1"/-0" TOL.
 3. STRIP TOL. ±1/32
 4. WINDING PROTECTION-INHERENTLY LIMITING

CERTIFICATION:
 UL, CUL FILE NO. E87824

LEAD NO.	6	7	8	9
VOLTAGE	24	VAC		
COLOR	BLU	YEL		
LENGTH	12.0	12.0		
STRIP LENGTH	.50	.50		



SCHEMATIC

TYCO PART NUMBER
 4-1611471-1

Pyrotech
 Tyco Electronics Corporation
 Harrisburg, PA 17105-3608

TRANSFORMER OUTLINE

THIS DRAWING IS A CONTROLLED DOCUMENT.

DWG. K.H.	1680CT1996	DATE	30MARCH 84
CHK.		BY	MD KH
AP'D		DESCRIPTION	GZ 00
PRODUCT SPEC		DST	00
APPLICATION SPEC		TR	0
WEIGHT		ECO720-0195-04	
CUSTOMER DRAWING			

DIMENSIONS: INCHES

0 PLG	± .01
1 PLG	± .01
2 PLG	± .01
3 PLG	± .01
4 PLG	± .01
ANGLES	± .01

TOLERANCES UNLESS OTHERWISE SPECIFIED:

MATERIAL: -

FINISH: -

SIZE: A3

CAGE CODE: 00779

DRAWING NO: 4000Y03AW18K999

RESTRICTED TO: -

SCALE: NONE

SHEET: 1 OF 1

REV: 0