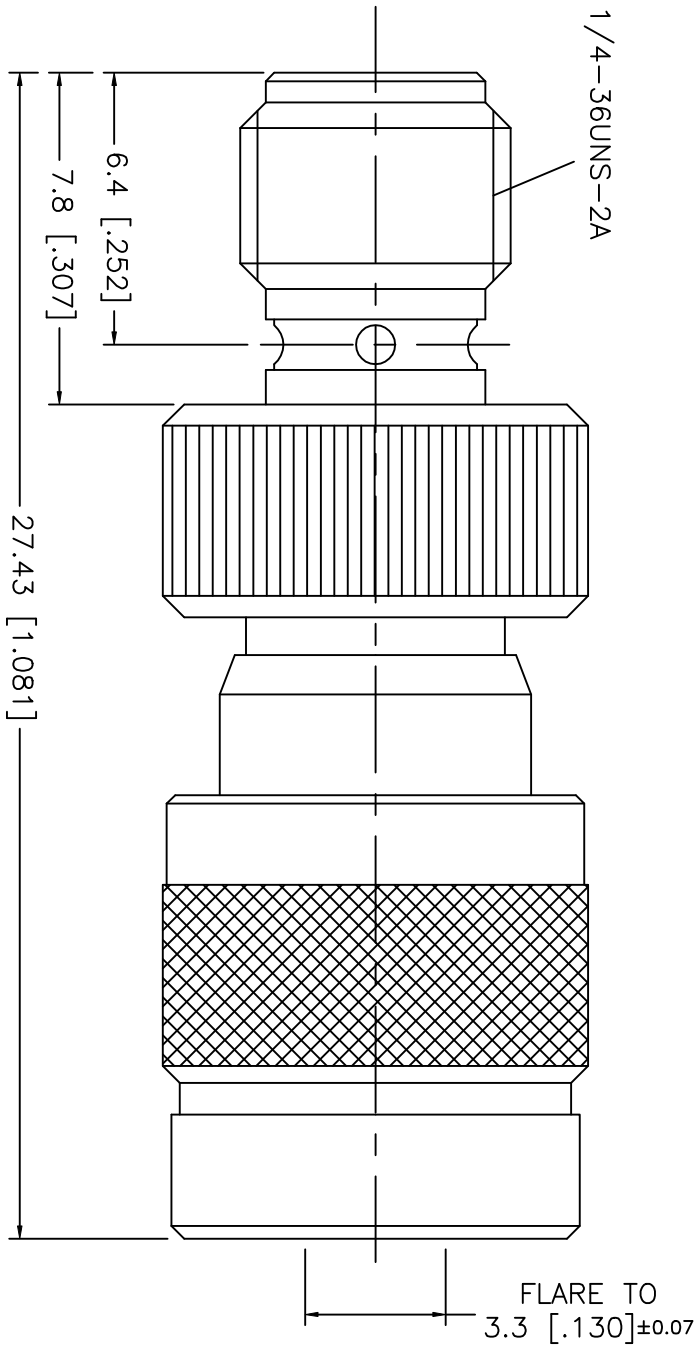


REV.	DATE	DESCRIPTION
NC	02/19/02	INITIAL RELEASE



DESCRIPTION	MATERIAL	FINISH	UNLESS OTHERWISE SPECIFIED DIMENSIONS ARE IN MILLIMETERS DIMENSIONS IN [] ARE IN INCHES FOR CUSTOMER REFERENCE ONLY	APPROVALS	DATE	TITLE	SIZE	FORM NO.	DWG. NO.	SHEET	REV.									
8 SHELL	BRASS	NICKEL	UNLESS OTHERWISE SPECIFIED DIMENSIONS ARE IN MILLIMETERS DIMENSIONS IN [] ARE IN INCHES FOR CUSTOMER REFERENCE ONLY UNLESS OTHERWISE SPECIFIED TOLERANCES FOR MILLIMETERS ARE: 0.5-6 = ± 0.2 6-30 = ± 0.4 30-120 = ± 0.6 120-315 = ± 1 315-1000 = ± 1.6 1000-2000 = ± 2.4	DRAWN G.R.S. CHECKED	02/19/02	SMA JACK TO 1.0/2.3 PLUG ADAPTOR	A	99001	242179.DWG	242179	NC									
7 SPRING	BER. COPPER	NATURAL																		
6 BODY	BRASS	NICKEL																		
5 CONTACT PIN	BER. COPPER	GOLD																		
4 INSULATOR	TEFLON	NATURAL																		
3 INSULATOR	TEFLON	NATURAL																		
2 OUT CONTACT	PHOS. BRONZE	GOLD																		
1 HOUSING	BRASS	GOLD																		
DO NOT SCALE DRAWING																				

Amphenol - Connex
CONNECTOR CORPORATION