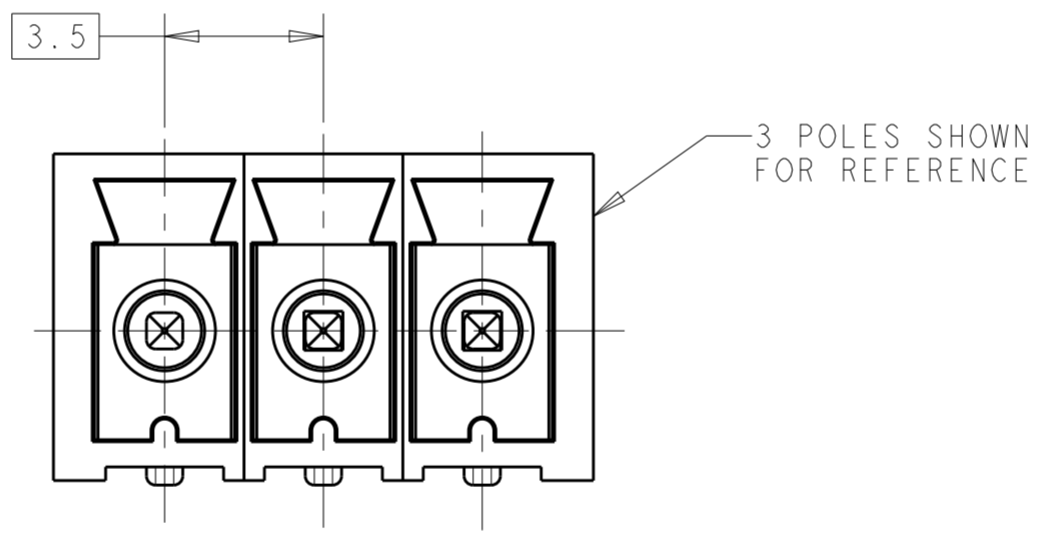
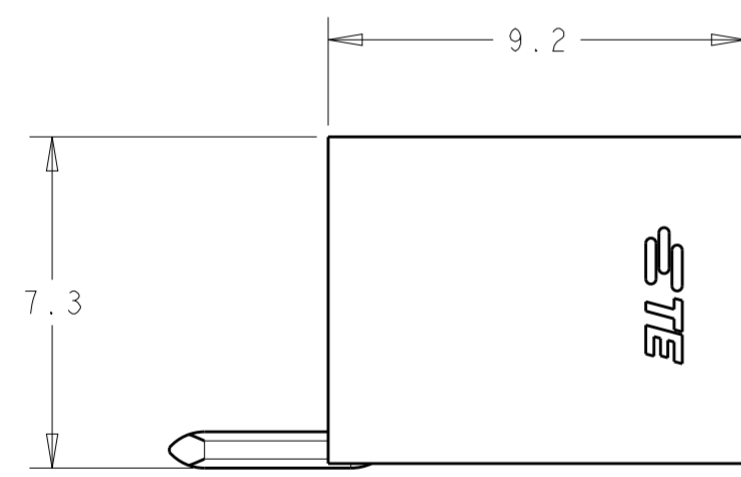
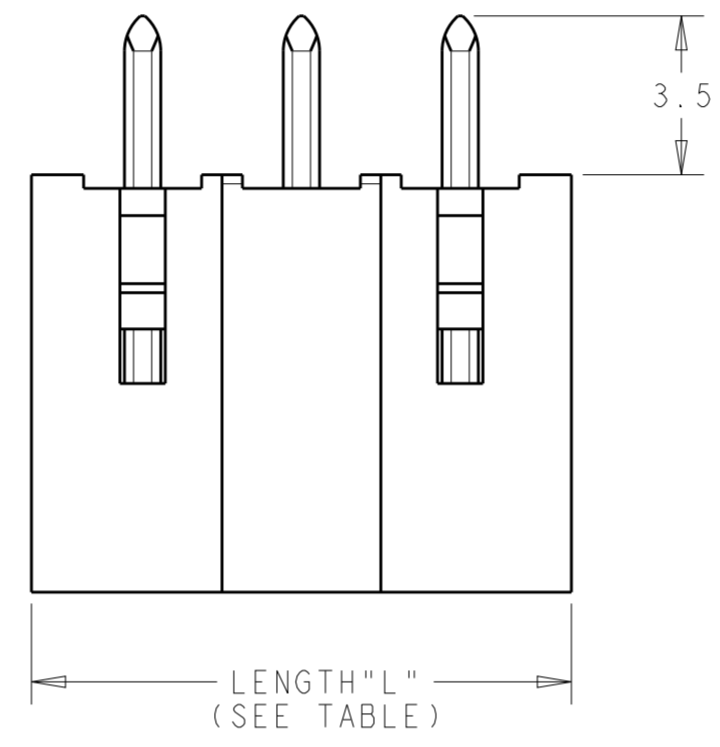
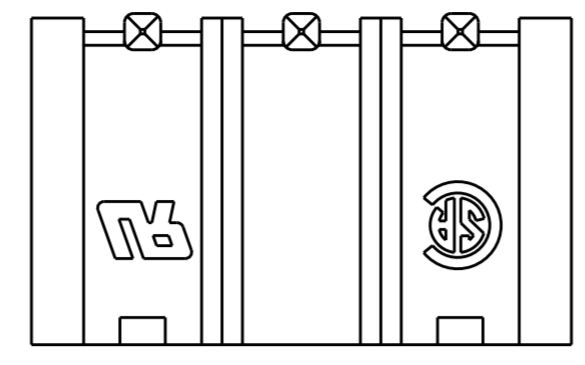
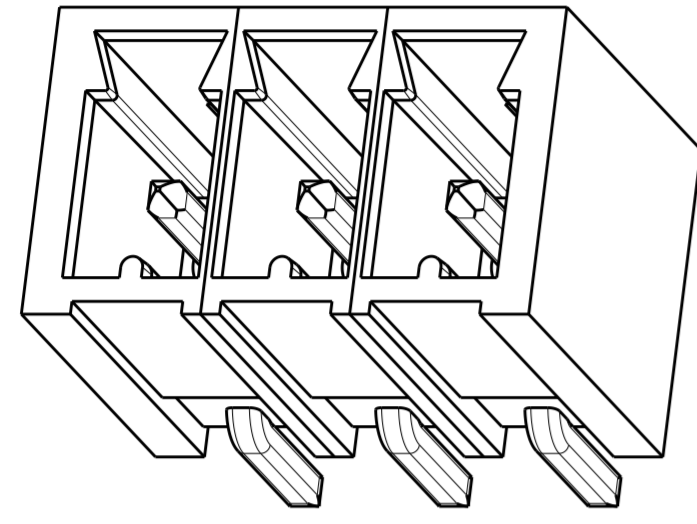


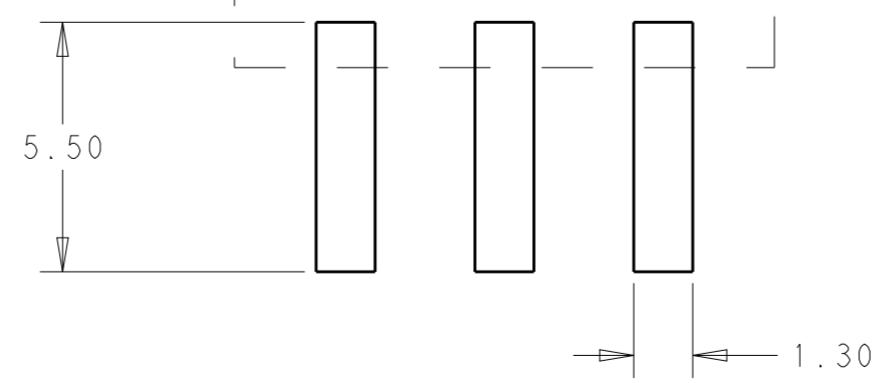
THIS DRAWING IS UNPUBLISHED. RELEASED FOR PUBLICATION
 © COPYRIGHT copyright.d8te- ALL RIGHTS RESERVED.

REVISIONS				
P	LTR	DESCRIPTION	DATE	DWN APVD
A		NEW DRAWING	08SEP2016	RS ML
A1		REVISED PER ECR-16-016988	02JAN2017	RK PO



- HOUSING MATERIAL: THERMOPLASTIC, FLAME-RETARDANT PER UL 94 V-0
COLOR = BLACK
- CONTACT MATERIAL: COPPER ALLOY WITH TIN PLATE
- PRODUCT CERTIFICATIONS:
UL: 8A/300V (APPLICATION GROUPS B & D)
CSA: 8A/300V (APPLICATION GROUP B)
- HAZARDOUS SUBSTANCE COMPLIANCE: RoHS, REACH
- PACKAGING: TAPE AND REEL
REEL DIAMETER = 380mm
TAPE WIDTH = SEE TABLE
- MATES WITH 2213936 SERIES

RECOMMENDED PC BOARD PAD LAYOUT
 0.2mm RECOMMENDED STENCIL THICKNESS

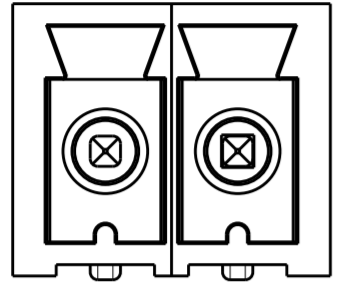


TAPE WIDTH "W" (mm)	LENGTH "L" (mm)	NO. OF POLES	TE PART NO.
72	43.4	12	1-2213932-2
	39.9	11	1-2213932-1
56	36.4	10	1-2213932-0
	32.9	9	2213932-9
	29.4	8	2213932-8
	25.9	7	2213932-7
	22.4	6	2213932-6
	18.9	5	2213932-5
	15.4	4	2213932-4
	11.9	3	2213932-3
	8.4	2	2213932-2

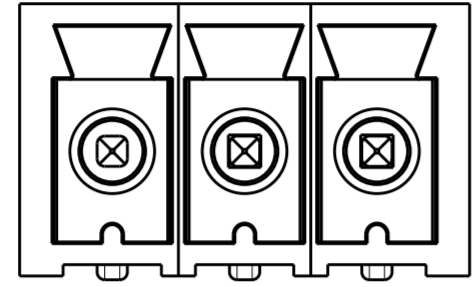
THIS DRAWING IS A CONTROLLED DOCUMENT.		DWN RAVLS 08SEP2016	TE Connectivity	
DIMENSIONS: mm		CHK M.LUKSIC 08SEP2016		
TOLERANCES UNLESS OTHERWISE SPECIFIED:		APVD M.LUKSIC 08SEP2016	NAME TERMINAL BLOCK HEADER, SMT, HORIZONTAL, 3.5MM PITCH	
0 PLC ±		PRODUCT SPEC	SIZE A2	
1 PLC ±0.2		APPLICATION SPEC	CAGE CODE -	
2 PLC ±0.13		WEIGHT	DRAWING NO. C-2213932	
3 PLC ±		CUSTOMER DRAWING	RESTRICTED TO -	
4 PLC ±		SCALE 5:1	SHEET 1 OF 2	
ANGLES ±		REV A1		
FINISH -				

THIS DRAWING IS UNPUBLISHED. RELEASED FOR PUBLICATION
 © COPYRIGHT copyright.d8Te- ALL RIGHTS RESERVED.

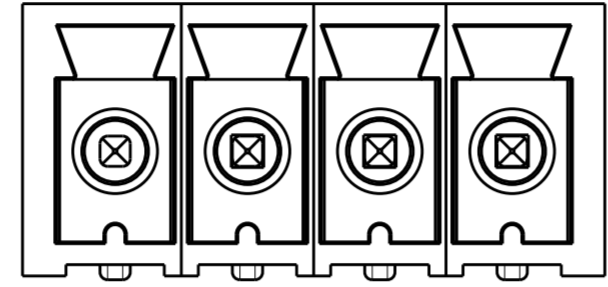
REVISIONS				
P	LTR	DESCRIPTION	DATE	APVD
-		SEE SHEET 1	-	-



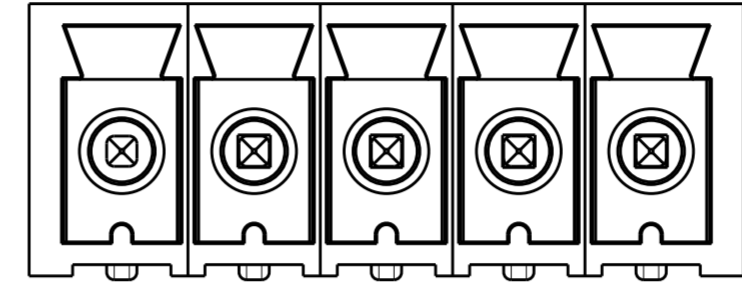
2 POLES: 2213932-2



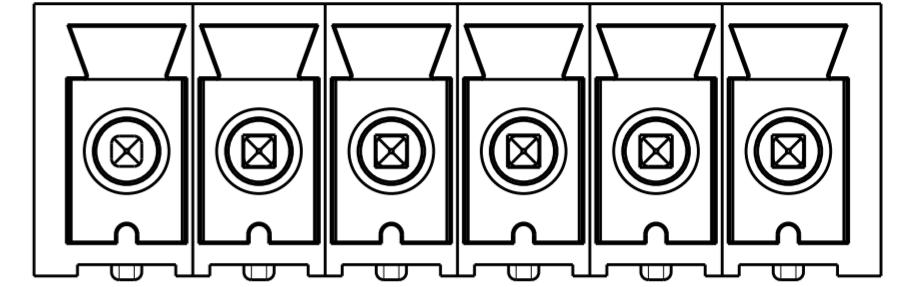
3 POLES: 2213932-3



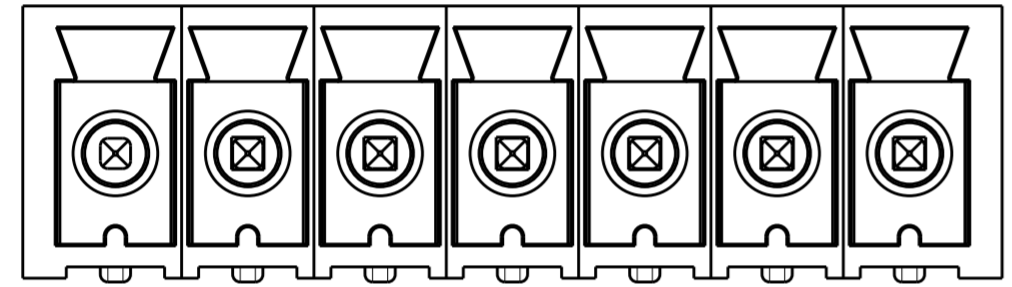
4 POLES: 2213932-4



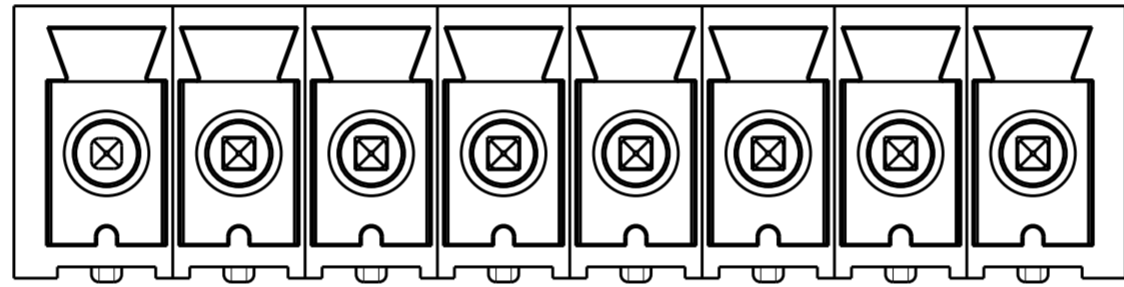
5 POLES: 2213932-5



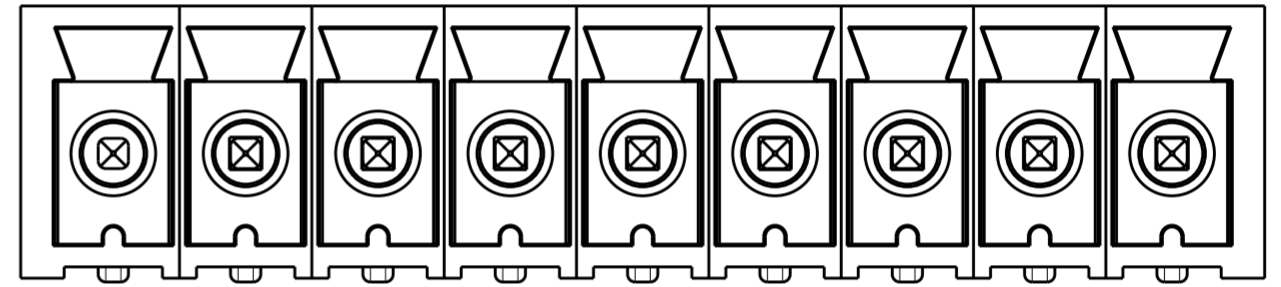
6 POLES: 2213932-6



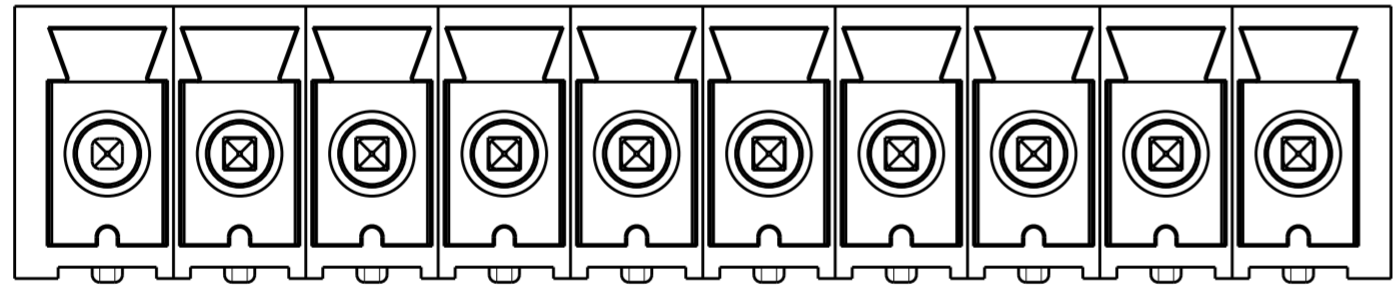
7 POLES: 2213932-7



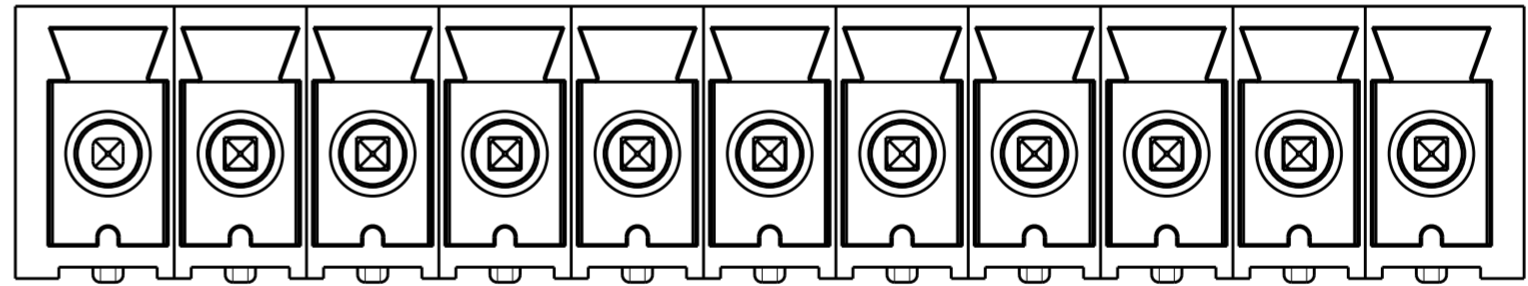
8 POLES: 2213932-8



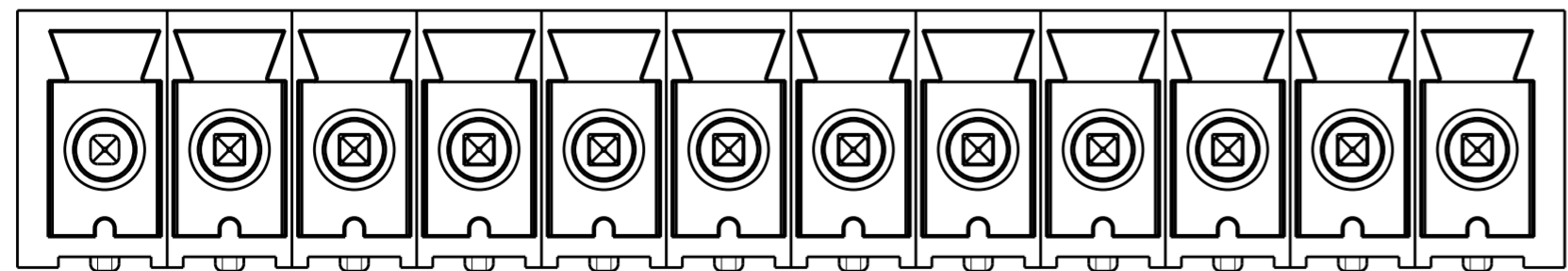
9 POLES: 2213932-9




10 POLES: 1-2213932-0



11 POLES: 1-2213932-1



12 POLES: 1-2213932-2

THIS DRAWING IS A CONTROLLED DOCUMENT.		DWN RAVLS 08SEP2016	 TE Connectivity	
DIMENSIONS:		CHK M.LUKSIC 08SEP2016		
TOLERANCES UNLESS OTHERWISE SPECIFIED:		APVD M.LUKSIC 08SEP2016	NAME TERMINAL BLOCK HEADER, SMT, HORIZONTAL, 3.5MM PITCH	
mm	0 PLC ± 1 PLC ±0.2 2 PLC ±0.13 3 PLC ± 4 PLC ±	PRODUCT SPEC	SIZE A2	
MATERIAL	ANGLES ± FINISH -	APPLICATION SPEC	CAGE CODE	DRAWING NO
-	-	WEIGHT	-	C-2213932
CUSTOMER DRAWING		SCALE	5:1	SHEET 2 OF 2
		REV	A1	