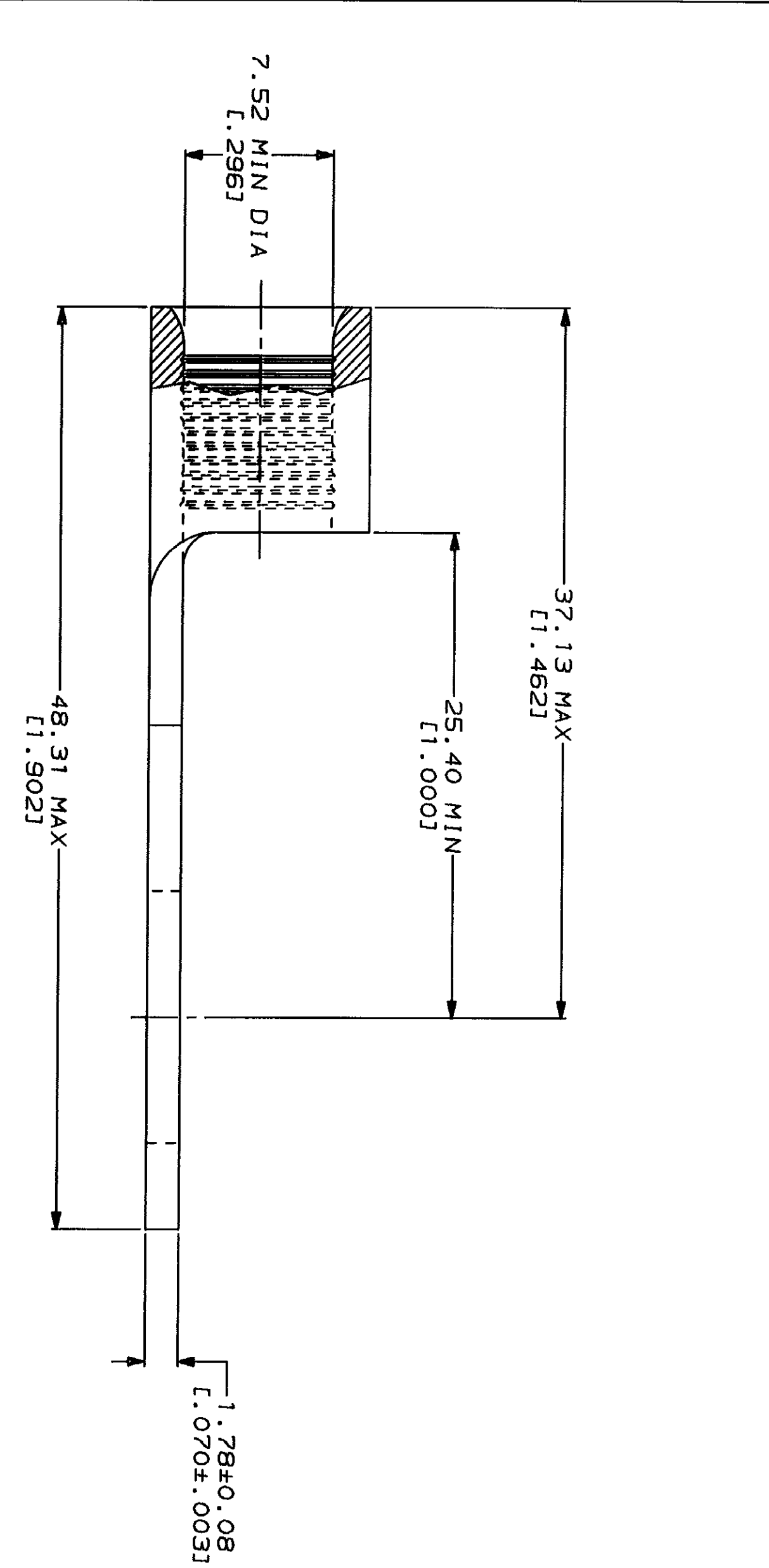


LOC	QTY	REV	DESCRIPTION	DATE	APP'D
G	14		REVISED PER 0720-0039-94	4/28/94	3 rd DAP

METRIC	
DIMENSIONS LISTED IN mm [INCHES]	
AMP	IL E13288 Listed
WIRE RANGE	
4 AWG SOLID OR STRANDED	4 AWG STRANDED
LR7189 Certified	MILITARY P/N AND CLASS
4 AWG SOLID OR STRANDED	NOT APPLICABLE

△ STAMP AMP 4* APPROX AS SHOWN



AMP INCORPORATED
CUSTOMER SERVICE SYSTEMS

FOR ADDITIONAL PRODUCT INFORMATION OR COPIES OF DRAWINGS AND TECHNICAL DOCUMENTS
 PRODUCT INFORMATION CENTER
 1-800-522-6752

FOR APPLICATION TOOLING INFORMATION
 TOOLING ASSISTANCE CENTER
 1-800-722-1111

FOR ORDER ENTRY
 1-800-526-5142

DO NOT SCALE PRINT. UNLESS SPECIFIED DIMENSIONS IN INCHES—TOLERANCES ON: 2 PLC DEC ± .005 3 PLC DEC ± .002	DR 9/9/93 DK SCHRUM
MATERIAL COPPER PER ASTM B-152 ANNEALED	APPD 9/10/93 CH KILYNYCH
FINISH TIN PLATE	APPD 9/10/93 JL MECKLEY
0.00254 [L.0001001] MIN THK PER MIL-T-10727	APPLICATION SPEC

MAX RECOMMENDED OPERATING TEMPERATURE: 170°C MAX

VOLTAGE RATING: NOT APPLICABLE

WIRE CROSS SECTIONAL AREA RANGE: 16.8-26.7mm² [E33,100-52,600] CIR MILS SOLID OR STRANDED

THIS DRAWING IS A CONTROLLED DOCUMENT FOR AMP INCORPORATED. IT IS SUBJECT TO CHANGE AND THE USER SHOULD BE ADVISED FOR THE LATEST REVISION.

QUANTITY	500	LOOSE PIECE, BOX	55951-1
PACKAGING TYPE		PART NO	
NAME		AMP Incorporated Harrisburg, PA 17105-3608	
TERMINAL, RING TONGUE, SOLISTRAND™			
SIZE	CAGE CODE	DRAWING NO	
SCALE	00779	55951	
SCALE	4:1		
SHEET			1 OF 1

CUSTOMER DRAWING