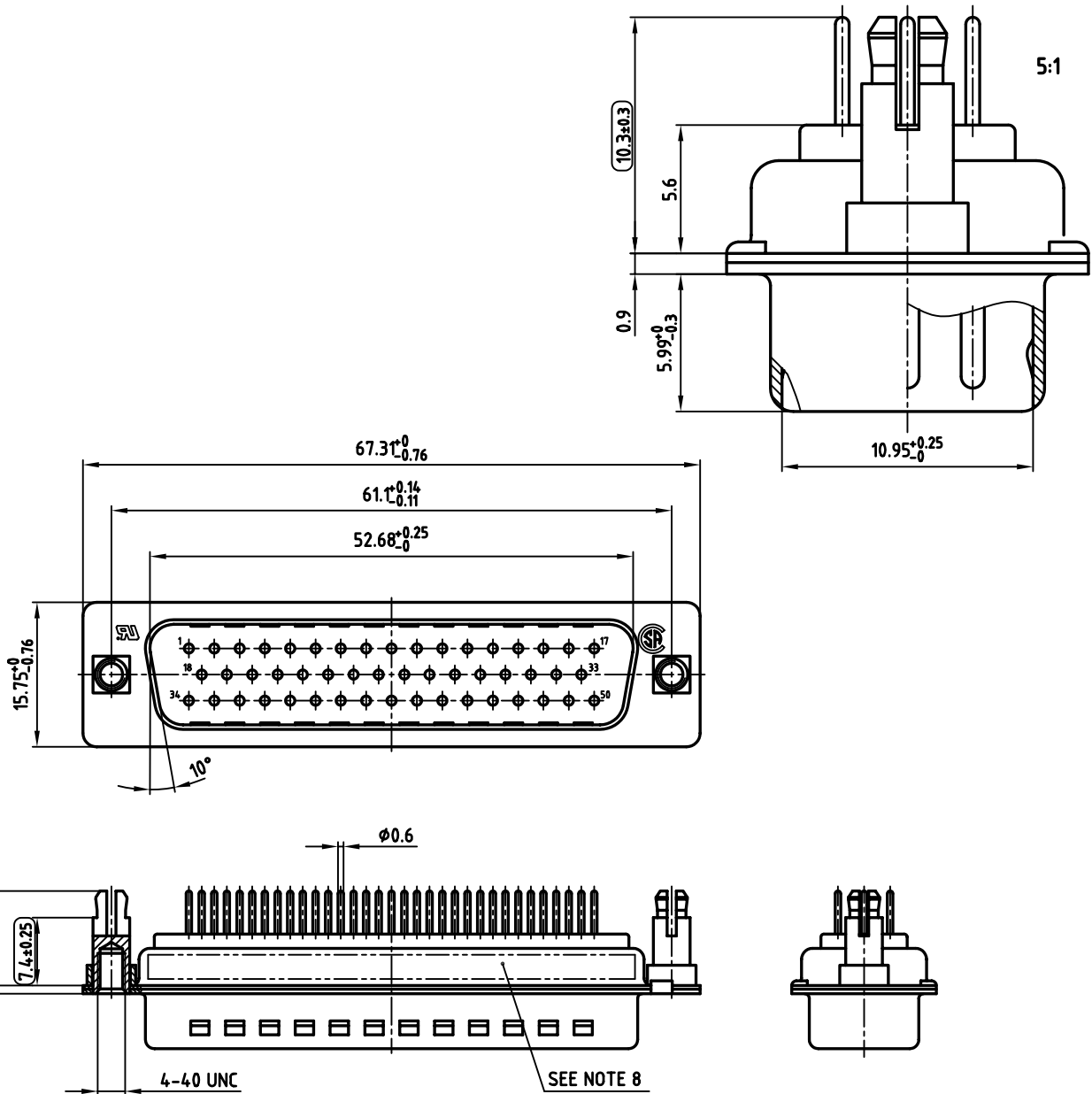


used for: D-SUB

5:1



NOTES:

1. METALSHELLS: STEEL; min. 320 μ " TIN
2. INSULATORS: PBT GF UL 94 V-0, BLACK
3. CONTACTS: COPPER ALLOY
PLATING: min. 8 μ " HARD GOLD OVER min. 50 μ " NICKEL
4. THREADED SPACER CLIP: COPPER ALLOY; min. 200 μ " TIN over 80 μ " NICKEL
PCB-HOLE: $\phi 3.1 \pm 0.1$; PCB THICKNESS 1.6mm
5. COLLAR: COPPER ALLOY; min. 200 μ " TIN over 80 μ " NICKEL
6. P.C.B. HOLE DRILLINGS ON DRAWING NO.: 16K11UIA
7. MAXIMUM TORQUE VALUE FOR THREAD: 6" LBS
8. CONNECTOR IS PART MARKED: 163A16199X CONEC ABC
9. = CHECK DIMENSION

Directive 2002/95/EC
„RoHS“
Compliant

APPROVAL * FREIGABE * DEBLOCAGE * AUTORIZACION * APPROVAL	
CUSTOMER APPROVAL DATE:	
NAME:	TITLE:
COMPANY NAME:	
APPROVAL * FREIGABE * DEBLOCAGE * AUTORIZACION * APPROVAL	

THIS DRAWING MAY NOT BE COPIED OR REPRODUCED IN ANY WAY, AND MAY NOT BE PASSED ON TO A THIRD PARTY, WITHOUT WRITTEN PERMISSION. OWNERSHIP AND COPYRIGHT OF CONEC GmbH DO NOT ALTER CAD DRAWING BY HAND

rev.	description	date	name

tolerance		 dim. in mm
2004	date	
drawn	07.05.	name
appd.	07.05.	Mickenbecker
norm	DIN 41652	
d-old		
CONEC [®]		

scale:	2:1 (5:1)	
material:	SEE NOTES	
title:	D-SUB MALE 50pos. SOLDER PIN STRAIGHT with threaded spacer clip	
dwg no:	AutoCAD 2004	DIN-A
	16K1A1154	3
		sh: 1/1
part no:	163A16199X	