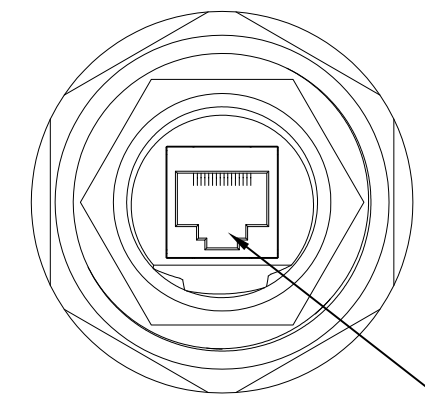
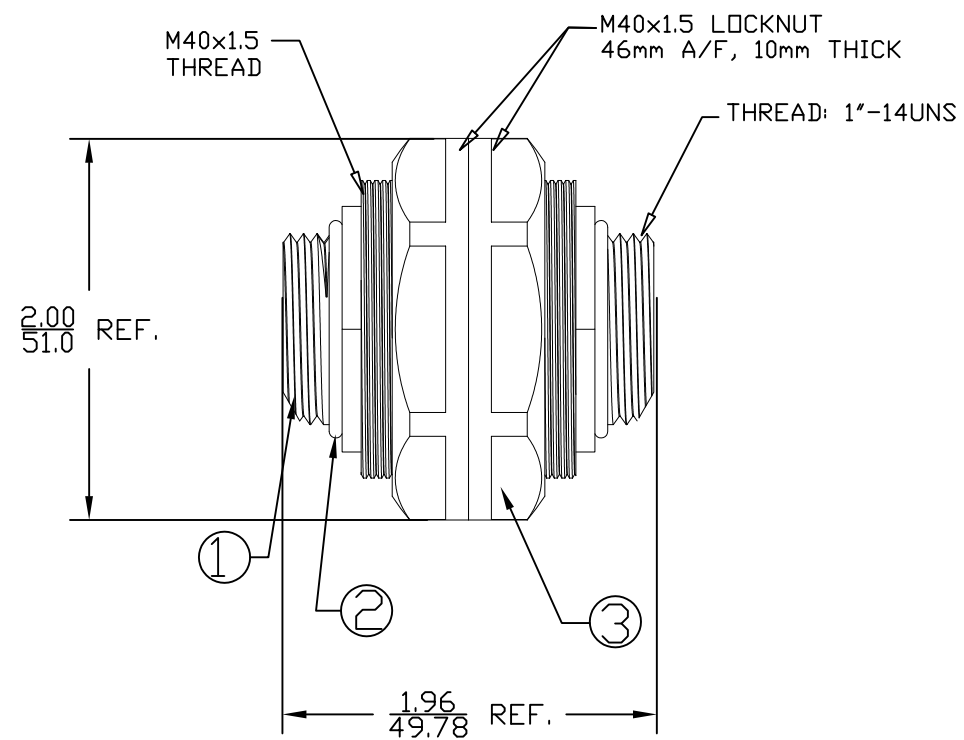
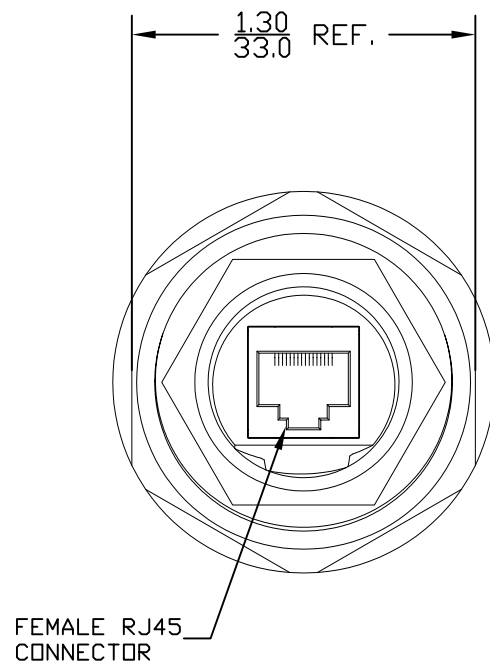
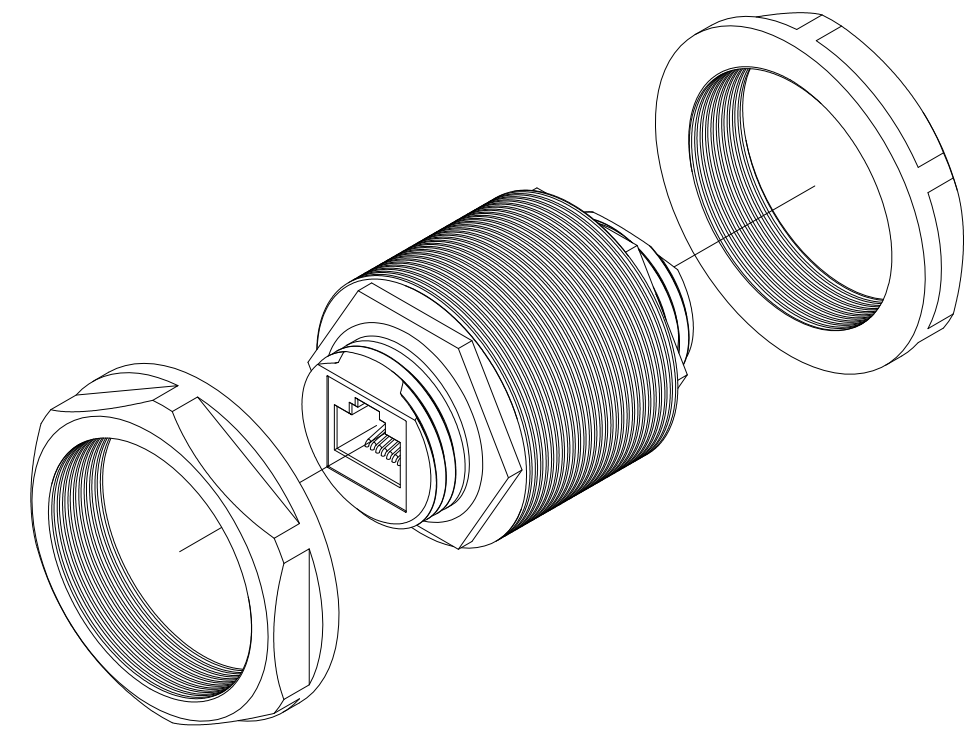
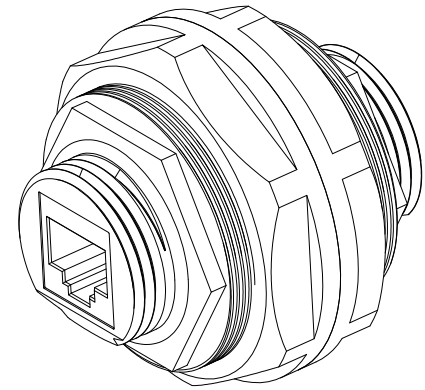


| | |
|------------------------|---------------------------|
| MATERIAL NUMBER | ENGINEERING NUMBER |
| 1300580059 | RJBG17946 |



NOTES:

- 1) MATERIAL: SEE TABLE
- 2) FINISHES: SEE TABLE
- 3) ELECTRICAL DATA:
VOLTAGE RATING: 30V DC
CURRENT RATING: 1.5A
- 4) ENVIRONMENTAL:
PROTECTION IP67
OPERATING TEMPERATURE RANGE: -20C TO 80C

| | | | | |
|------|------|--------------------|------------------|--------|
| 3 | 2 | LOCK NUT | NYLON 6.6, BLACK | BLACK |
| 2 | 2 | O-RING | VITON | BLACK |
| 1 | 1 | RECEPTACLE HOUSING | DELIN | BLACK |
| ITEM | QTY. | DESCRIPTION | MATERIAL | FINISH |

RELEASE
 EC NO: WNA2010-0438
 DRWN: TWOLDEGE 2010/01/19
 CHKD: BWOODMAN
 APPR: JFMURPHY 2010/01/25

QUALITY SYMBOLS

▽=0
▽C=0

| GENERAL TOLERANCES (UNLESS SPECIFIED) | | |
|--|-------|-------|
| | mm | INCH |
| 4 PLACES | ±--- | ±--- |
| 3 PLACES | ±--- | ±.005 |
| 2 PLACES | ±0.13 | ±.010 |
| 1 PLACE | ±0.25 | ±.020 |
| ANGULAR ±1/2° | | |
| DRAFT WHERE APPLICABLE MUST REMAIN WITHIN DIMENSIONS | | |

| DIMENSION STYLE | |
|-----------------|------------|
| IN/MM | |
| DRAWN BY | DATE |
| --- | --- |
| CHECKED BY | DATE |
| BWOODMAN | --- |
| APPROVED BY | DATE |
| JFMURPHY | 2010/01/22 |
| MATERIAL NO. | |
| SEE CHART | |
| SIZE | B |

| | | | | |
|---|-----|--------------|--------------------|------------------------|
| SCALE | 1:1 | DESIGN UNITS | INCH | THIRD ANGLE PROJECTION |
| TITLE | | | | |
| RJ-LNXX THREADED ADAPTOR RJ45 FEMALE TO FEMALE PANEL INTERCONNECT (M40) | | | | |
| Molex | | | MOLEX INCORPORATED | |
| DOCUMENT NO. | | | SHEET NO. | |
| SD-130058-007 | | | 1 OF 1 | |
| THIS DRAWING CONTAINS INFORMATION THAT IS PROPRIETARY TO MOLEX INCORPORATED AND SHOULD NOT BE USED WITHOUT WRITTEN PERMISSION | | | | |