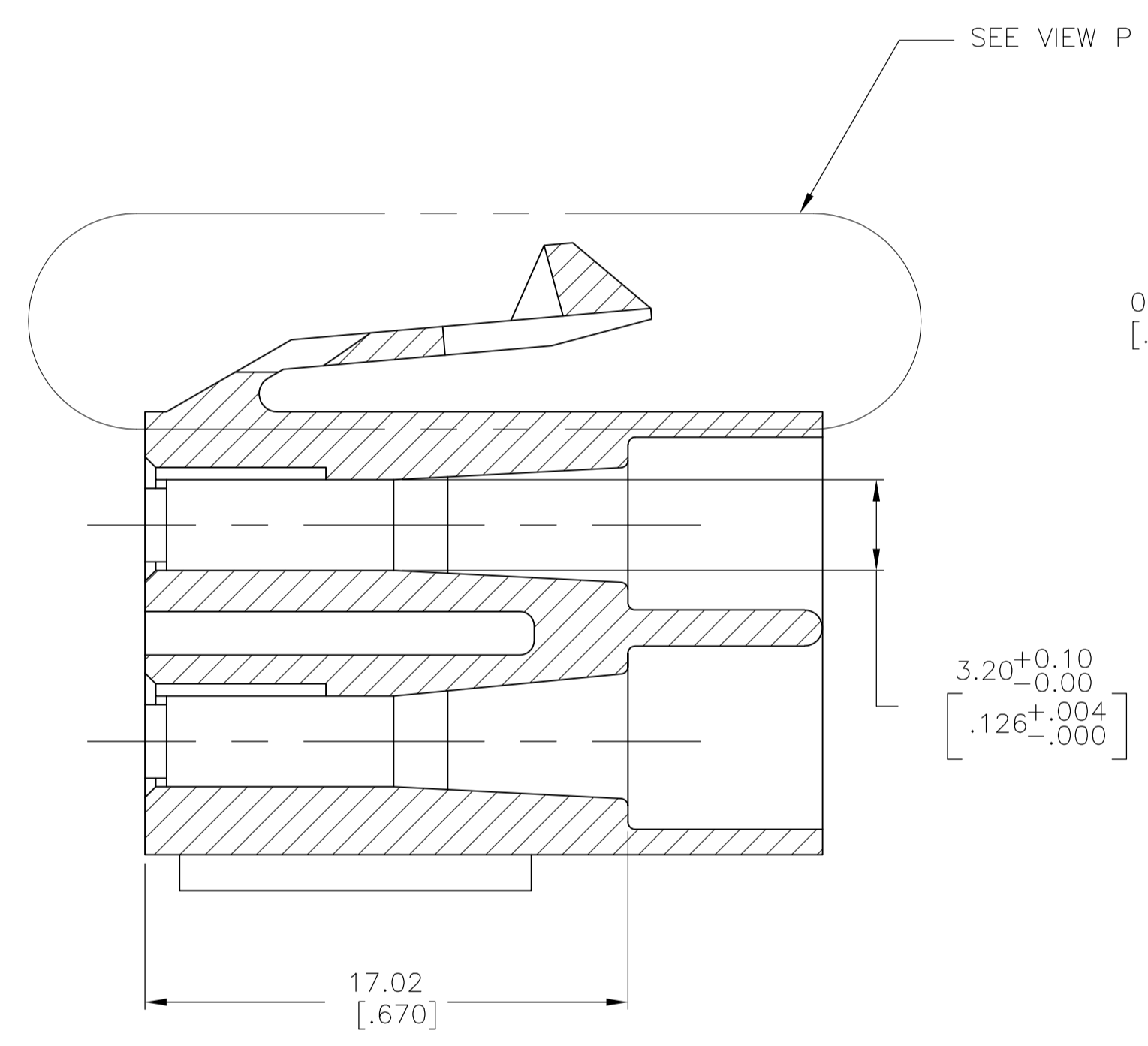
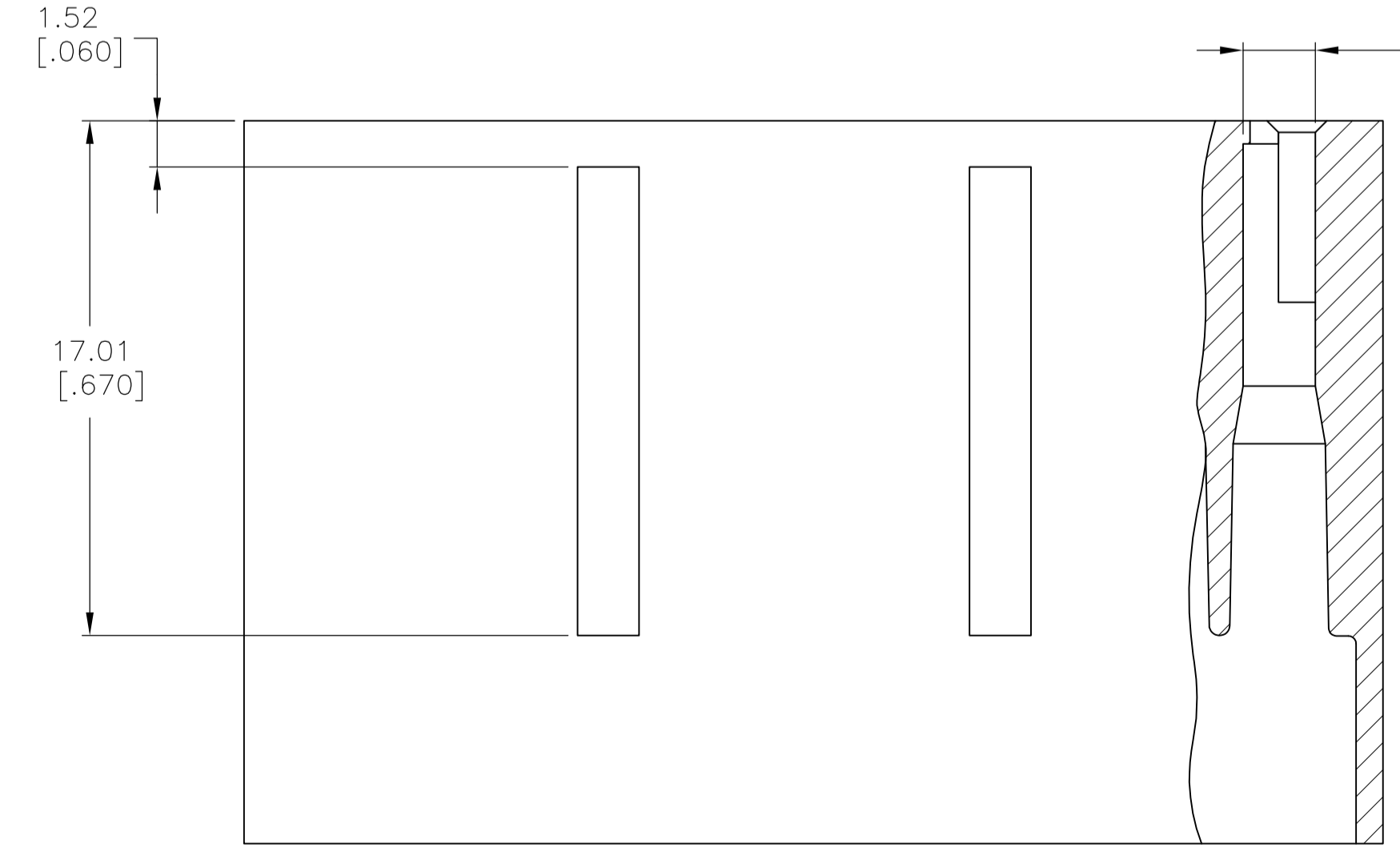
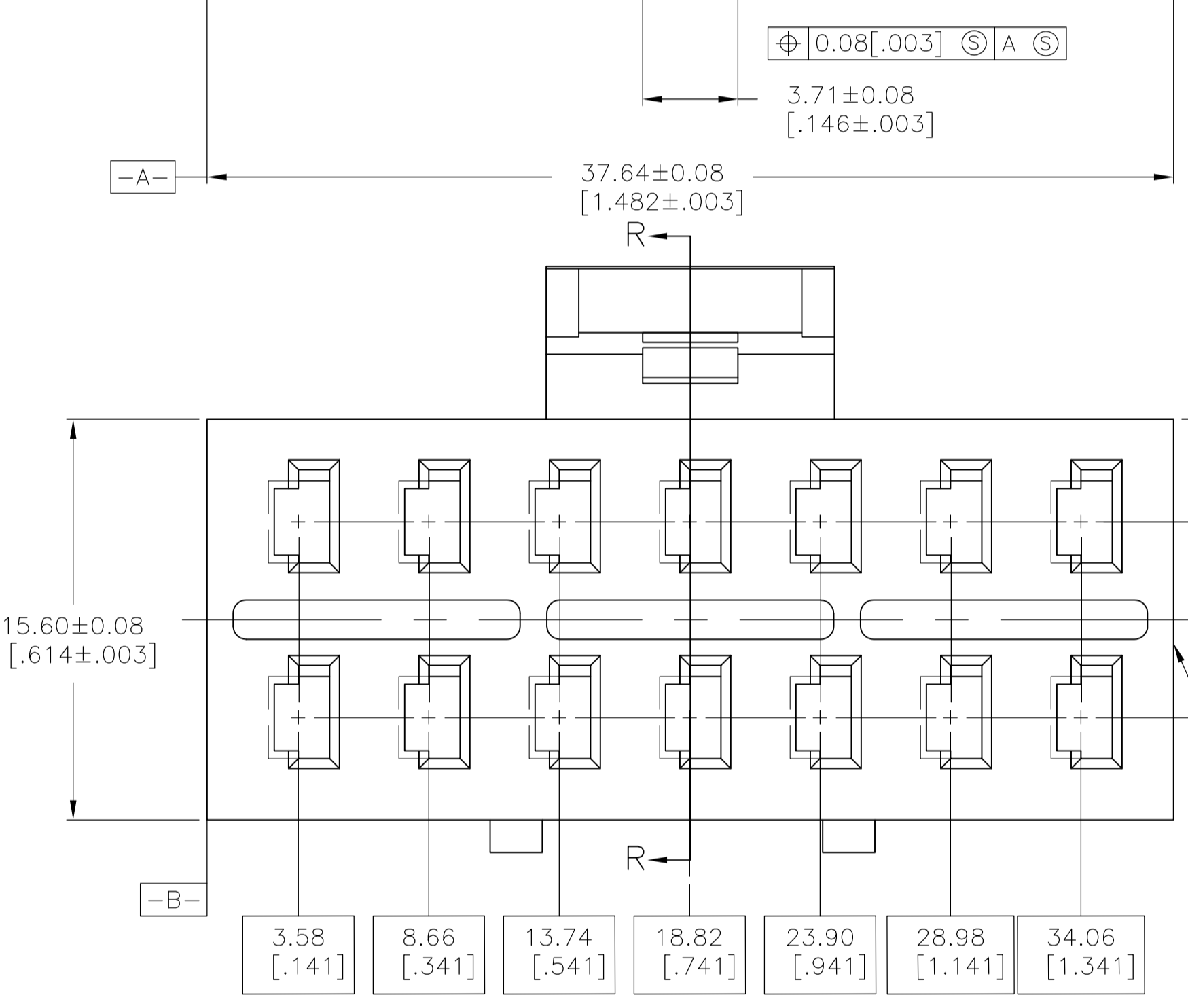
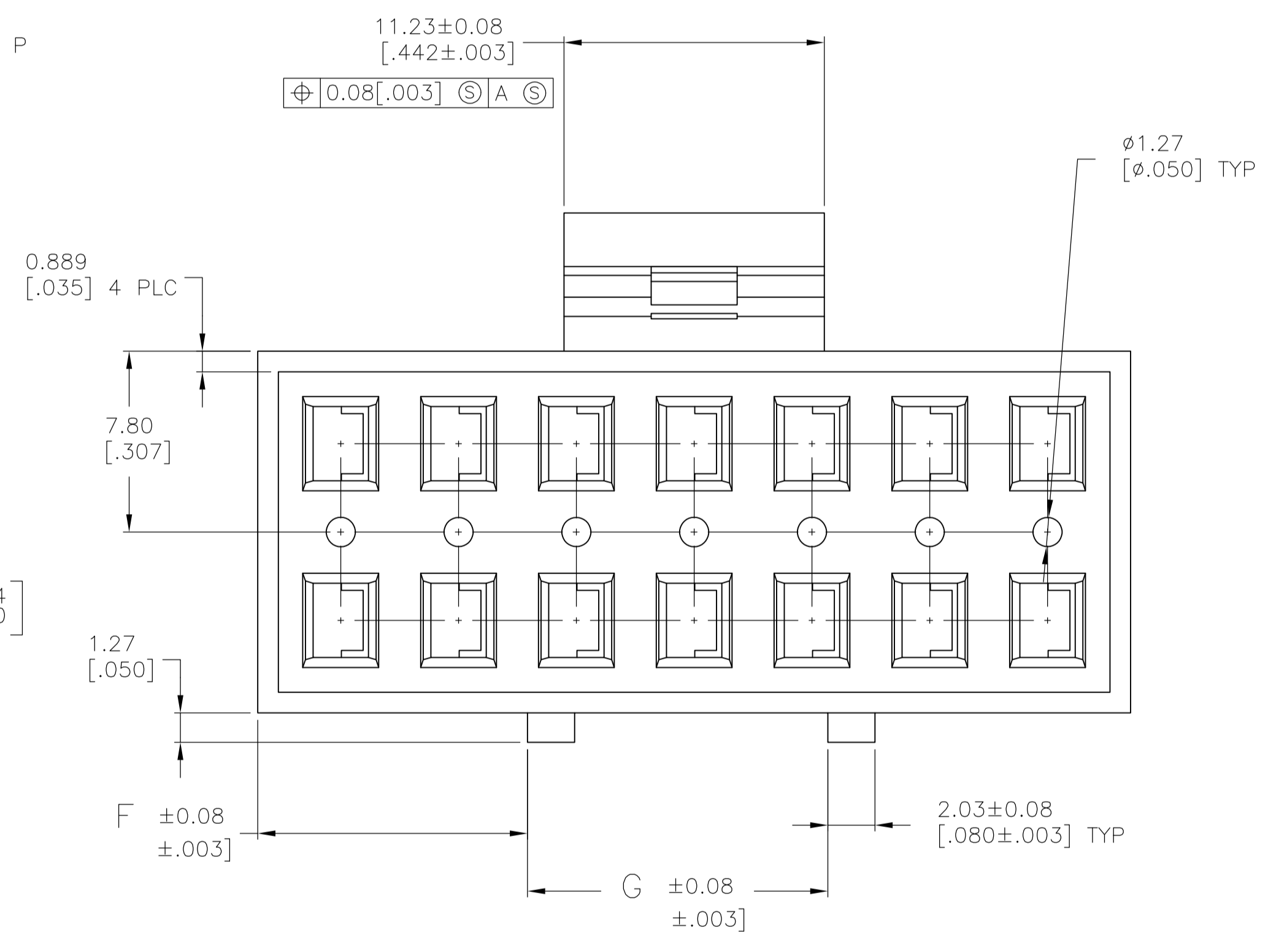


VIEW P
SCALE 10:1

- 1 HOUSING IDENT. LETTER, 2.36[.093] HIGH CHARS., RAISED 0.08-0.13[.003-.005] HIGH IN APPROX. AREA SHOWN. SEE TABLE FOR LETTER.
- 2 BLUSHING PERMISSIBLE IN THIS AREA.
- 3 OBSOLETE PARTS: OBSOLETE CIS STREAMLINING PER D.RENAUD/D.SINISI



SECTION R-R



3 OBSOLETE	X	7.87 [.310]	14.17 [.558]	14	103367-3
	Y	18.03 [.710]	9.09 [.358]	14	103367-2
	Z	12.95 [.510]	11.63 [.458]	14	103367-1
HOUSING IDENT LETTER	G	F	NO OF POSN	PART NO	

THIS DRAWING IS A CONTROLLED DOCUMENT.

DIMENSIONS: mm [INCHES]	TOLERANCES UNLESS OTHERWISE SPECIFIED:	DIN J. GALLUCCI 14AUG89	Tyco Electronics Tyco Electronics Corporation Harrisburg, PA 17105-3608
0 PLC ± -	1 PLC ± -	CIR C. OBERMAN 21AUG89	
2 PLC ± -	3 PLC ± 0.13[.005]	APVD MARIAN CLARK 21AUG89	NAME
4 PLC ± -	ANGLES ± α-30°	PRODUCT SPEC	HOUSING, MOD I
MATERIAL FLAME RETARDANT THERMOPLASTIC COLOR-BLACK	FINISH -	APPLICATION SPEC	SIZE CAGE CODE DRAWING NO
		WEIGHT	A1 00779 C=103367
		CUSTOMER DRAWING	SCALE 5:1 SHEET 1 OF 1 REV L1

