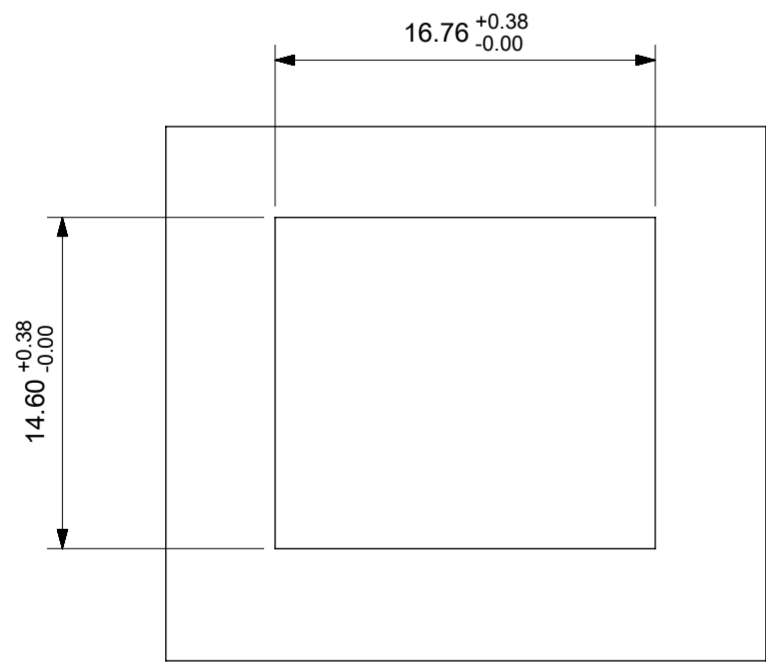
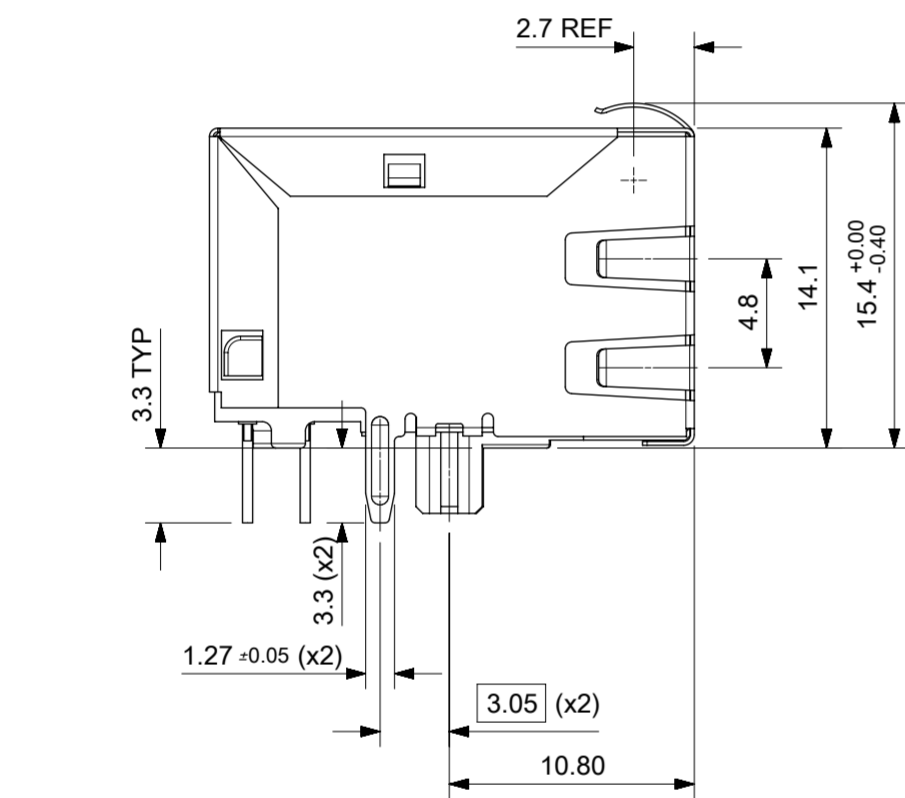
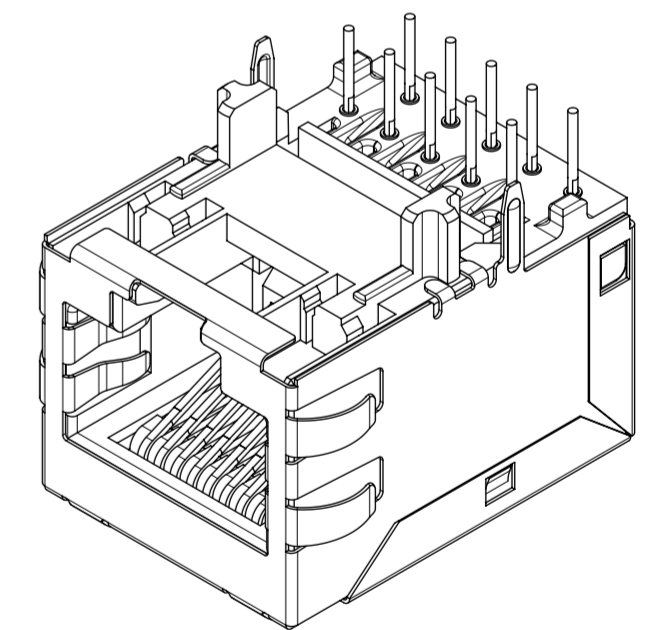
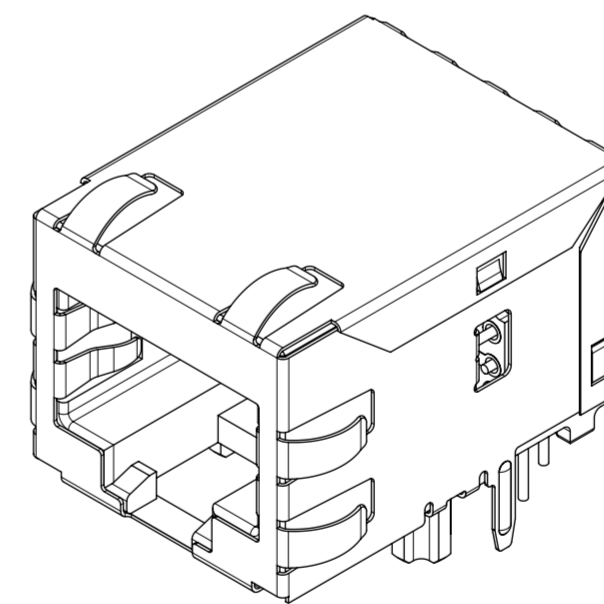
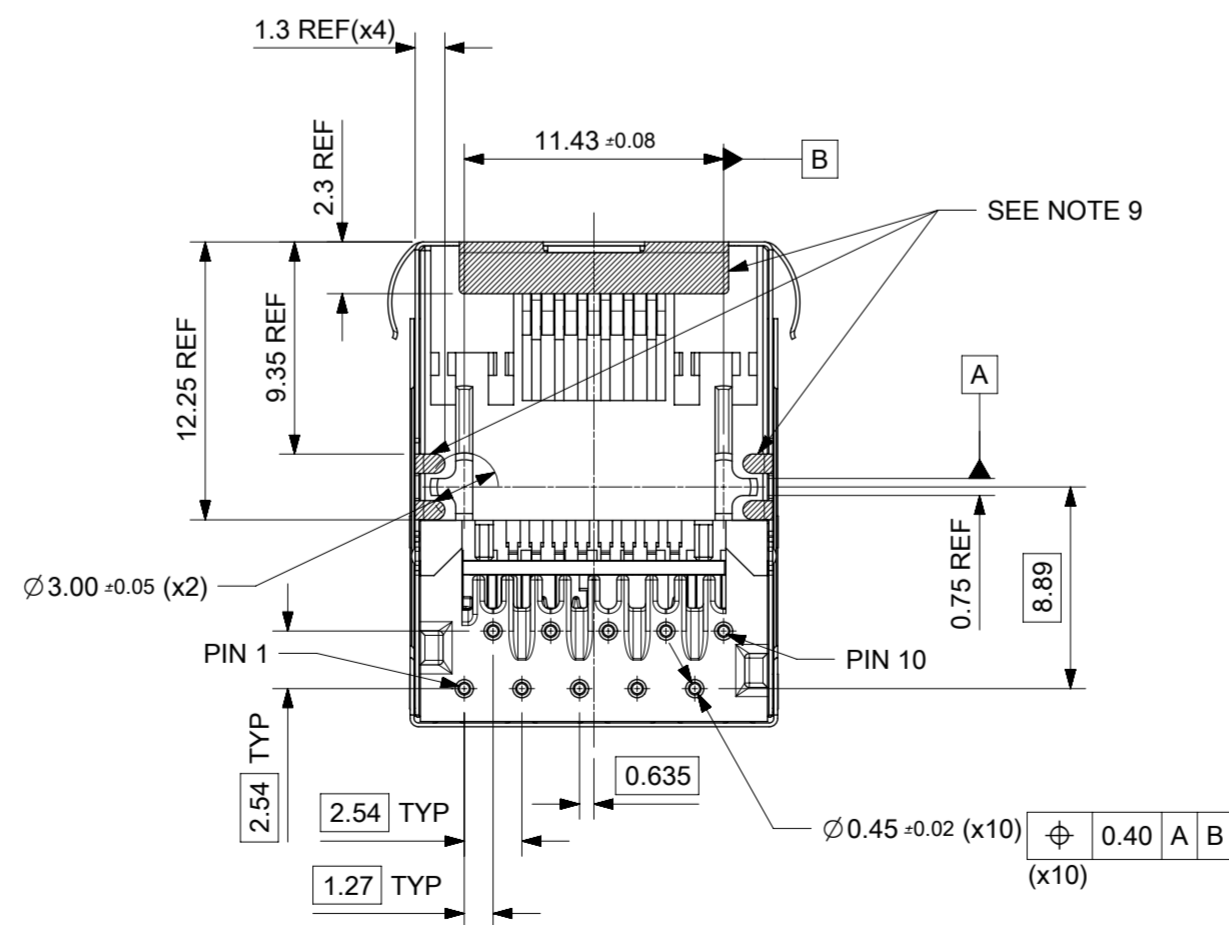
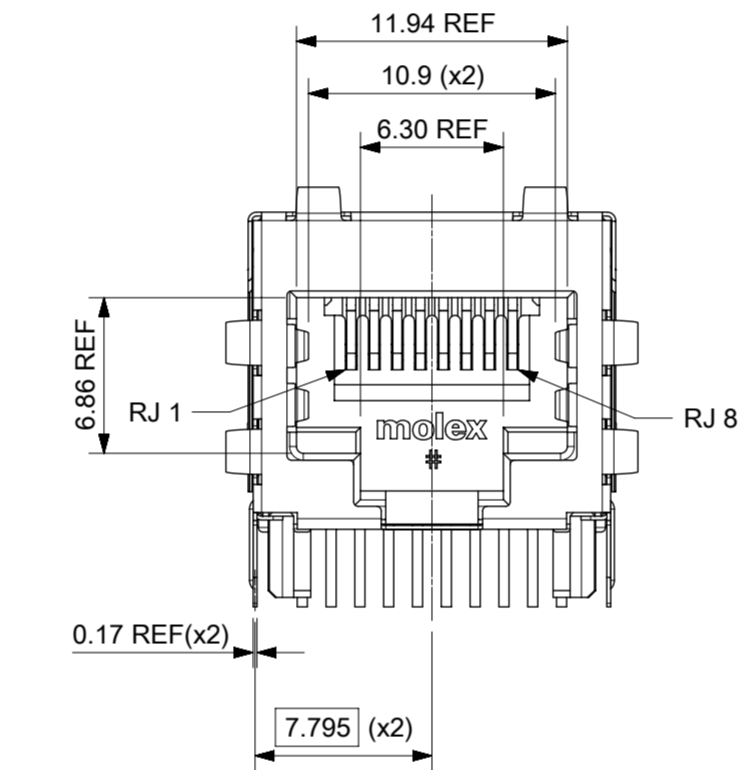
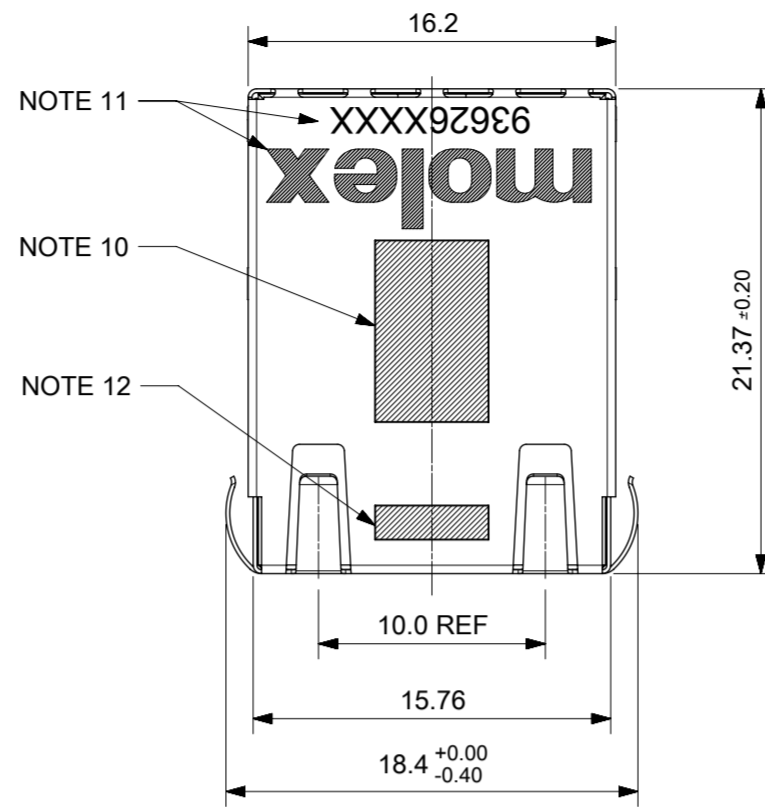


STANDARD PROFILE MAGNETIC JACK
GIGABIT ETHERNET W/O LEDS
AND W/ SHIELD TABS TOP AND SIDE



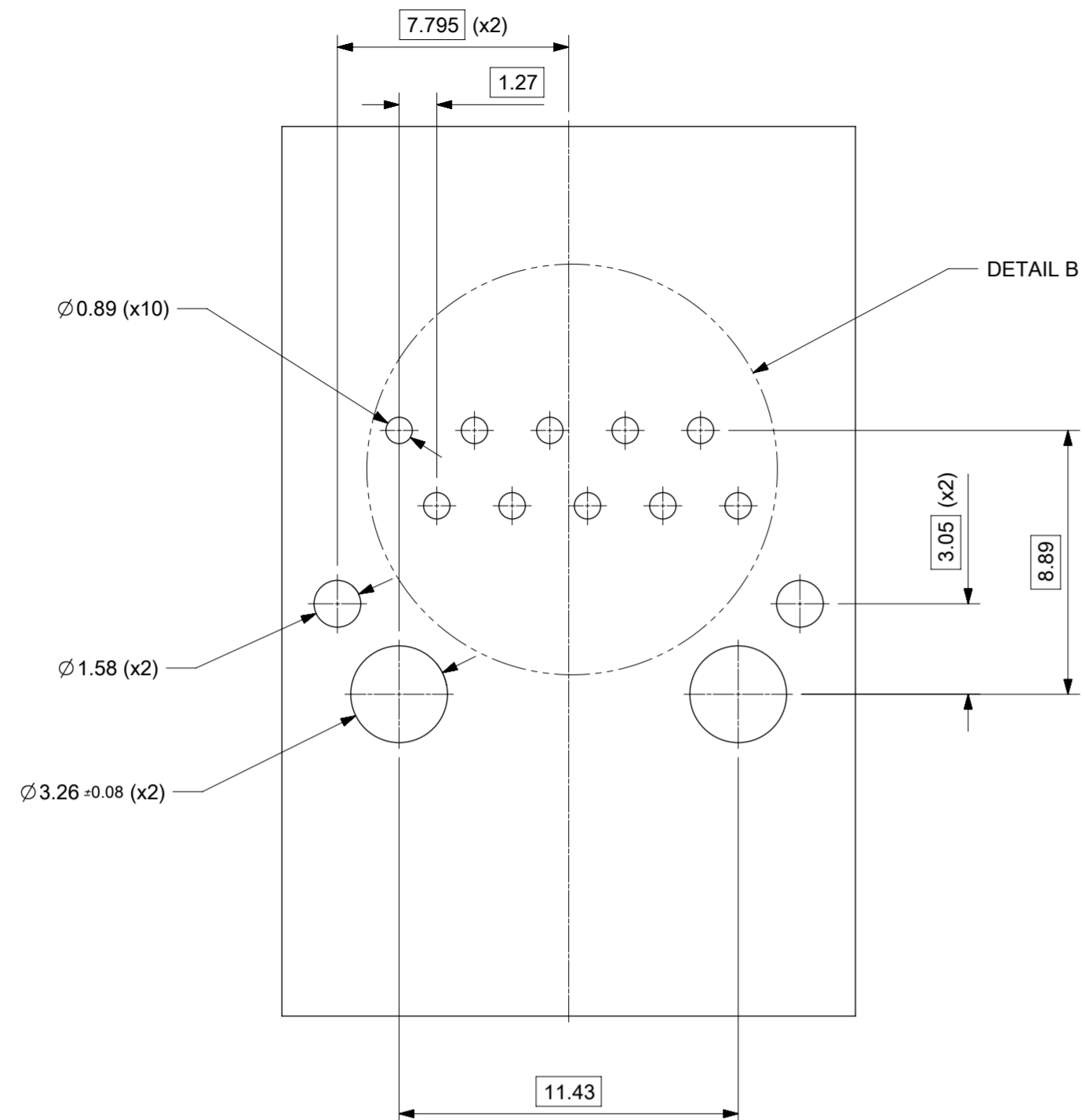
SUGGESTED PANEL CUT-OUT



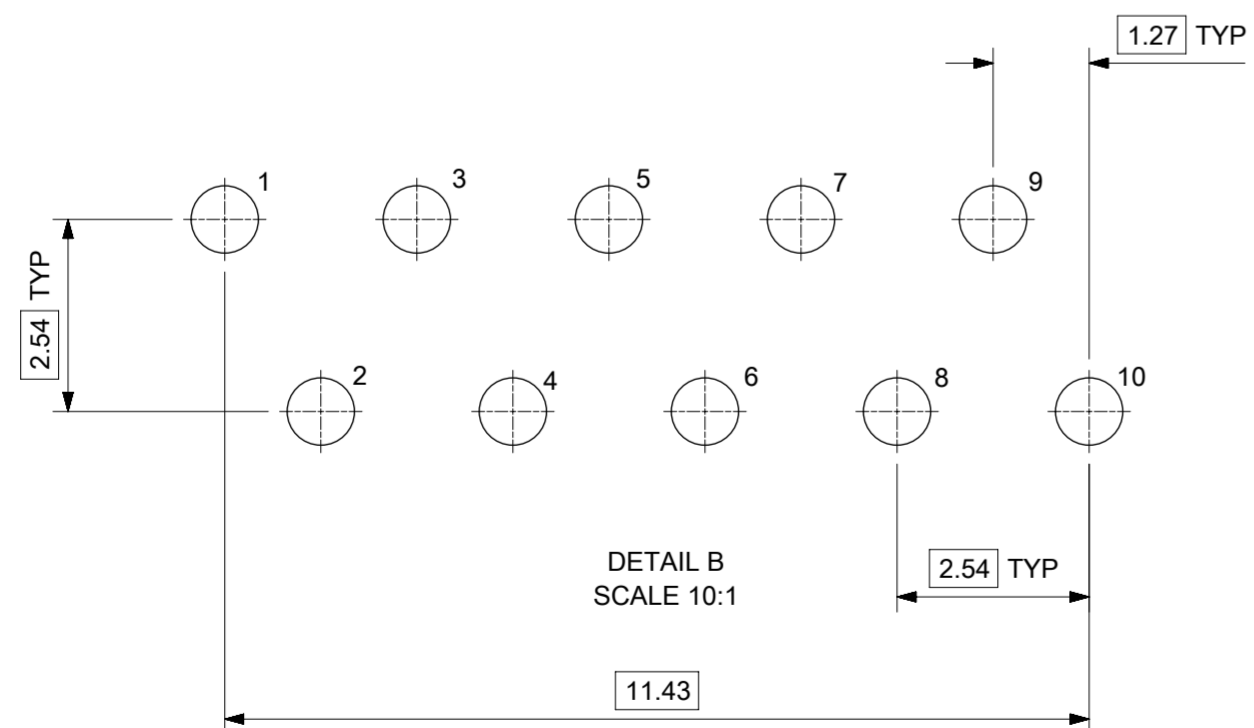
- NOTES:
- SHIELD MATERIAL: 0.17mm THICK BRASS PRE-PLATED WITH NICKEL
SOLDER TABS POST DIPPED WITH MIN. 1.27µm TIN
 - HOUSING MATERIAL: LCP, BLACK, UL 94V-0
 - TERMINAL MATERIAL: PHOSPHOR BRONZE
RJ45 CONTACTS PLATING: BASE NICKEL PLATED WITH GOLD
FLASH OVER PALLADIUM NICKEL. REFER TO 934620001 PSP
PHY SOLDER TAILS: COPPER ALLOY
 - MATING INTERFACE ACCORDING TO IEC 60603-7 & TIA-1096-A
 - PRODUCT SPECIFICATION: 934620001 PSP
 - PACKAGING SPECIFICATION: 934620001 PSK
 - STAND OFF TO SYSTEM BOARD 0.30mm MINIMUM
 - RECOMMENDED PCB THICKNESS: 1.57mm
 - SHIELD: AVOID ROUTING TRACES
OR PLACING ANY VIAS BELOW THESE AREAS
 - AREA FOR PICK AND PLACE: 5.0mm X 8.0mm
 - INSCRIPTION MARKED BY LASER:
1st : MOLEX
2nd : P/N (SEE BOM)
 - DATE CODE(DAY/WEEK/YEAR)
 - MATERIAL COMPLIANT TO RoHS DIRECTIVE 2002/95/EC

THIS DRAWING CONTAINS INFORMATION THAT IS PROPRIETARY TO MOLEX ELECTRONIC TECHNOLOGIES, LLC AND SHOULD NOT BE USED WITHOUT WRITTEN PERMISSION

REVISED EC NO: 114553 DRWN: DSHEA CHKD: DBYRNES APPR: STGRIFFIN	2017/03/15	2017/04/14	2017/04/25	GENERAL TOLERANCES (UNLESS SPECIFIED) ANGULAR TOL ± 2.0 °	DIMENSION UNITS	SCALE				
	4 PLACES	±	3 PLACES		±	MM		3:1		
	3 PLACES	±	2 PLACES		± 0.1	DRWN BY		DATE	STD MXMAG 8 CORE GIG W/ SHIELD TABS	
	2 PLACES	±	1 PLACE		± 0.2	KREILLY		2015/10/14		
1 PLACE	±	0 PLACES	±	CHKD BY	DATE	PRODUCT CUSTOMER DRAWING				
0 PLACES	±			DBYRNES	2016/09/19		SERIES	MATERIAL NUMBER	CUSTOMER	
				DRAFT WHERE APPLICABLE MUST REMAIN WITHIN DIMENSIONS	APPR BY	DATE	93626	SEE CHART	GENERAL MARKET	
					STGRIFFIN	2016/10/07				
					DRAWING SIZE	THIRD ANGLE PROJECTION	DOCUMENT NUMBER	DOC TYPE	DOC PART	SHEET NUMBER
					A2		936260002	PSD	000	1 OF 3



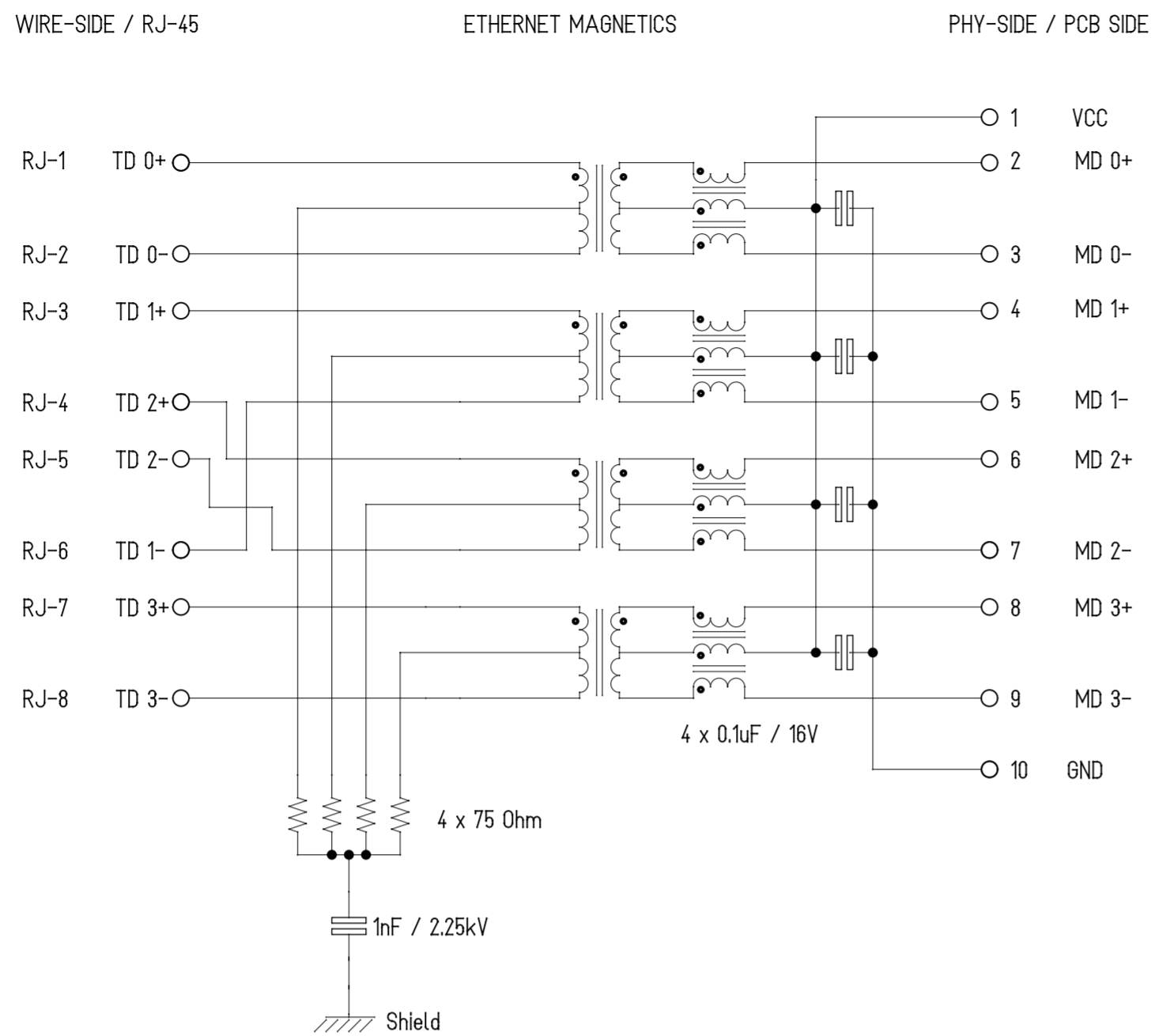
SUGGESTED BOARD LAYOUT
GIGABIT VERSION
COMPONENT SIDE
ALL DIMS REFERENCE DIMS



PIN CONFIGURATION
FOR GIGABIT VERSION

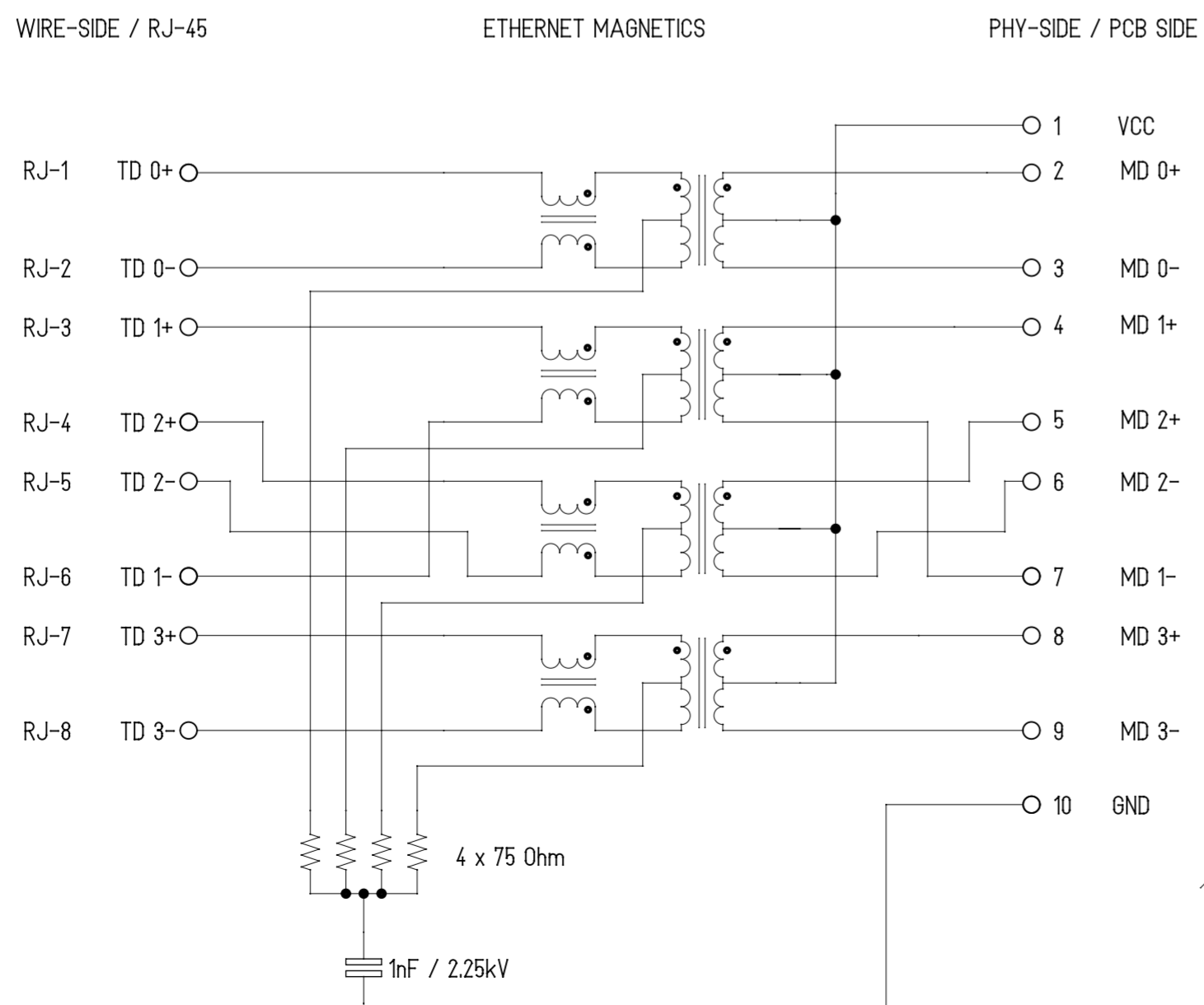
PART NUMBER	SCHEMATIC
93626-8520	A
93626-8020	B

THIS DRAWING CONTAINS INFORMATION THAT IS PROPRIETARY TO MOLEX ELECTRONIC TECHNOLOGIES, LLC AND SHOULD NOT BE USED WITHOUT WRITTEN PERMISSION										
REVISED	EC NO: 114553	2017/03/15	GENERAL TOLERANCES (UNLESS SPECIFIED)	DIMENSION UNITS	SCALE	molex [®]				
	DRWN: DSHEA	2017/04/14	(UNLESS SPECIFIED)	MM	5:1					
	CHKD: DBYRNES	2017/04/25	ANGULAR TOL ± 2.0 °	DRWN BY	DATE	STD MXMAG 8 CORE GIG W/ SHIELD TABS				
	REV: APPR: STGRIFFIN			KREILLY	2015/10/14					
			4 PLACES ±	CHK'D BY	DATE	PRODUCT CUSTOMER DRAWING				
			3 PLACES ±	DBYRNES	2016/09/19					
		2 PLACES ± 0.1	APPR BY	DATE	SERIES	MATERIAL NUMBER	CUSTOMER			
		1 PLACE ± 0.2	STGRIFFIN	2016/10/07	93626	SEE CHART	GENERAL MARKET			
		0 PLACES ±			DRAWING SIZE	THIRD ANGLE PROJECTION	DOCUMENT NUMBER	DOC TYPE	DOC PART	SHEET NUMBER
		DRAFT WHERE APPLICABLE MUST REMAIN WITHIN DIMENSIONS			A2		936260002	PSD	000	2 OF 3



SCHEMATIC A

Description	Value	
OCL @100kHz, 0.1V, 8mA DC bias (-40°C to +85°C)	350µH min.	
Turns ratio	1CT:1CT	
Transmission characteristics @ 25°C, all four pairs		
Insertion Loss		
Frequency (MHz)	Limits (dB max.)	Typical Values (dB max.)
1.0-9.9 MHz	0.4+0.1*log(F)	0.5 @ 10MHz
10-49.9 MHz	0.5+0.3*log(F/10)	0.7 @ 50MHz
50-79.9 MHz	1+1.4*log(F/80)	1.0 @ 80MHz
80-100 MHz	1.3+3*log(F/100)	1.3 @ 100MHz
Return Loss		
Frequency (MHz)	Limits (dB min.)	Typical Values (dB min.)
1.0-39.9 MHz	18	18 @ 40MHz
40-100 MHz	12-20*log(F/80)	10 @ 100MHz
CMR		
Frequency (MHz)	Limits (dB min.)	Typical Values (dB min.)
1.0-100MHz	30	30 @ 100MHz
Next		
Frequency (MHz)	Limits (dB min.)	Typical Values (dB min.)
1.0-39.9MHz	35	35 @ 40MHz
40-100MHz	33-20*log(F/50)	27 @ 100MHz
Isolation PHY to wire side	2.25kVDC/60sec	



SCHEMATIC B

THIS DRAWING CONTAINS INFORMATION THAT IS PROPRIETARY TO MOLEX ELECTRONIC TECHNOLOGIES, LLC AND SHOULD NOT BE USED WITHOUT WRITTEN PERMISSION											
REVISED	EC NO: 114553	2017/03/15	GENERAL TOLERANCES (UNLESS SPECIFIED)	DIMENSION UNITS	SCALE	molex STD MXMAG 8 CORE GIG W/ SHIELD TABS					
	DRWN: DSHEA	2017/04/14	ANGULAR TOL ± 2.0 °	MM	1:1						
	CHKD: DBYRNES	2017/04/25	4 PLACES ±	DRWN BY	DATE	KREILLY 2015/10/14					
	REV / APPR: STGRIFFIN		3 PLACES ±	CHK'D BY	DATE	DBYRNES 2016/09/19					
			2 PLACES ± 0.1	APPR BY	DATE	STGRIFFIN 2016/10/07					
		1 PLACE ± 0.2	DRAFT WHERE APPLICABLE MUST REMAIN WITHIN DIMENSIONS			DRAWING SIZE		THIRD ANGLE PROJECTION		PRODUCT CUSTOMER DRAWING	
		0 PLACES ±	A2			A2		SERIES		MATERIAL NUMBER	
								93626		SEE CHART	
								DOCUMENT NUMBER		CUSTOMER	
								936260002		GENERAL MARKET	
								DOC TYPE		SHEET NUMBER	
								PSD		000 3 OF 3	