

Customer Information Sheet

DRAWING No.: S2711-XXR

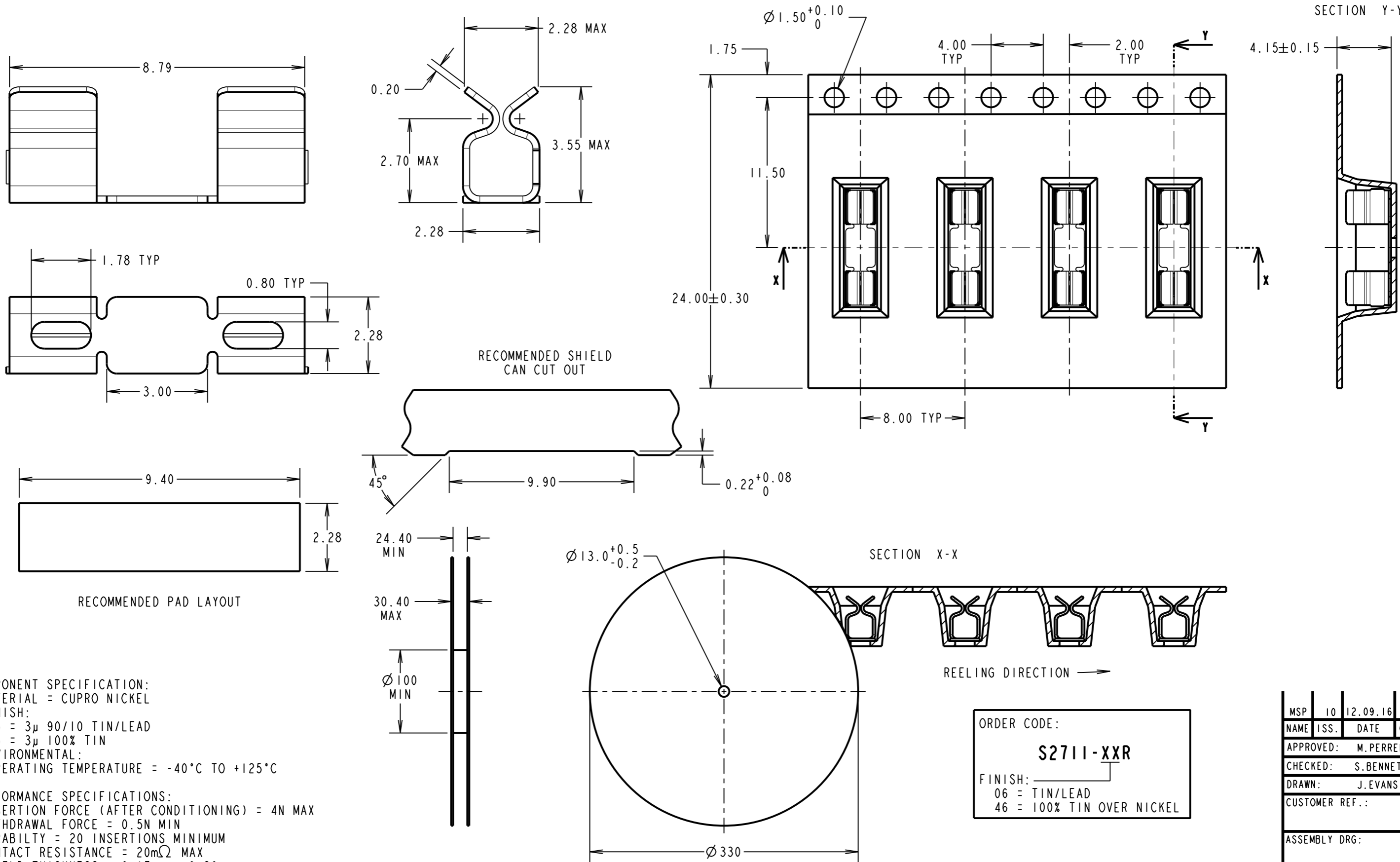
IF IN DOUBT - ASK

©

NOT TO SCALE

THIRD ANGLE PROJECTION

ALL DIMENSIONS IN mm



COMPONENT SPECIFICATION:
 MATERIAL = CUPRO NICKEL
 FINISH:
 06 = 3µ 90/10 TIN/LEAD
 46 = 3µ 100% TIN
 ENVIRONMENTAL:
 OPERATING TEMPERATURE = -40°C TO +125°C

PERFORMANCE SPECIFICATIONS:
 INSERTION FORCE (AFTER CONDITIONING) = 4N MAX
 WITHDRAWAL FORCE = 0.5N MIN
 DURABILITY = 20 INSERTIONS MINIMUM
 CONTACT RESISTANCE = 20mΩ MAX
 SHIELD THICKNESS = 0.17mm - 0.30mm

NOTES:
 1. QUANTITY PER REEL = 1,900.
 2. THIS PRODUCT IS TAPED AND REELED IN ACCORDANCE WITH EIA-481 (ELECTRONIC INDUSTRIES ASSOCIATION).

ORDER CODE:
S2711-XXR
 FINISH:
 06 = TIN/LEAD
 46 = 100% TIN OVER NICKEL

MSP	10	12.09.16	13518
NAME	ISS.	DATE	C/NOTE
APPROVED:		M. PERREN	
CHECKED:		S. BENNETT	
DRAWN:		J. EVANS	
CUSTOMER REF.:			
ASSEMBLY DRG:			

HARWIN
 www.harwin.com
 technical@harwin.com

THIS DRAWING AND ANY INFORMATION OR DESCRIPTIVE MATTER SET OUT HEREON ARE CONFIDENTIAL AND COPYRIGHT PROPERTY OF THE HARWIN GROUP AND MUST NOT BE DISCLOSED, LOANED, COPIED OR USED FOR MANUFACTURING, TENDERING OR FOR ANY OTHER PURPOSE WITHOUT THEIR WRITTEN PERMISSION.

TOLERANCES
 X. = ±1mm
 X.X = ±0.50mm
 X.XX = ±0.10mm
 X.XXX = ±0.01mm
 ANGLES = ±5°
 UNLESS STATED

MATERIAL:
 SEE ABOVE
 FINISH: SEE ABOVE
 S/AREA: mm²

TITLE: SMT RFI SHIELD CLIP IN TAPE AND REEL (CUPRO NICKEL)
 DRAWING NUMBER: S2711-XXR
 SHT 2 OF 2