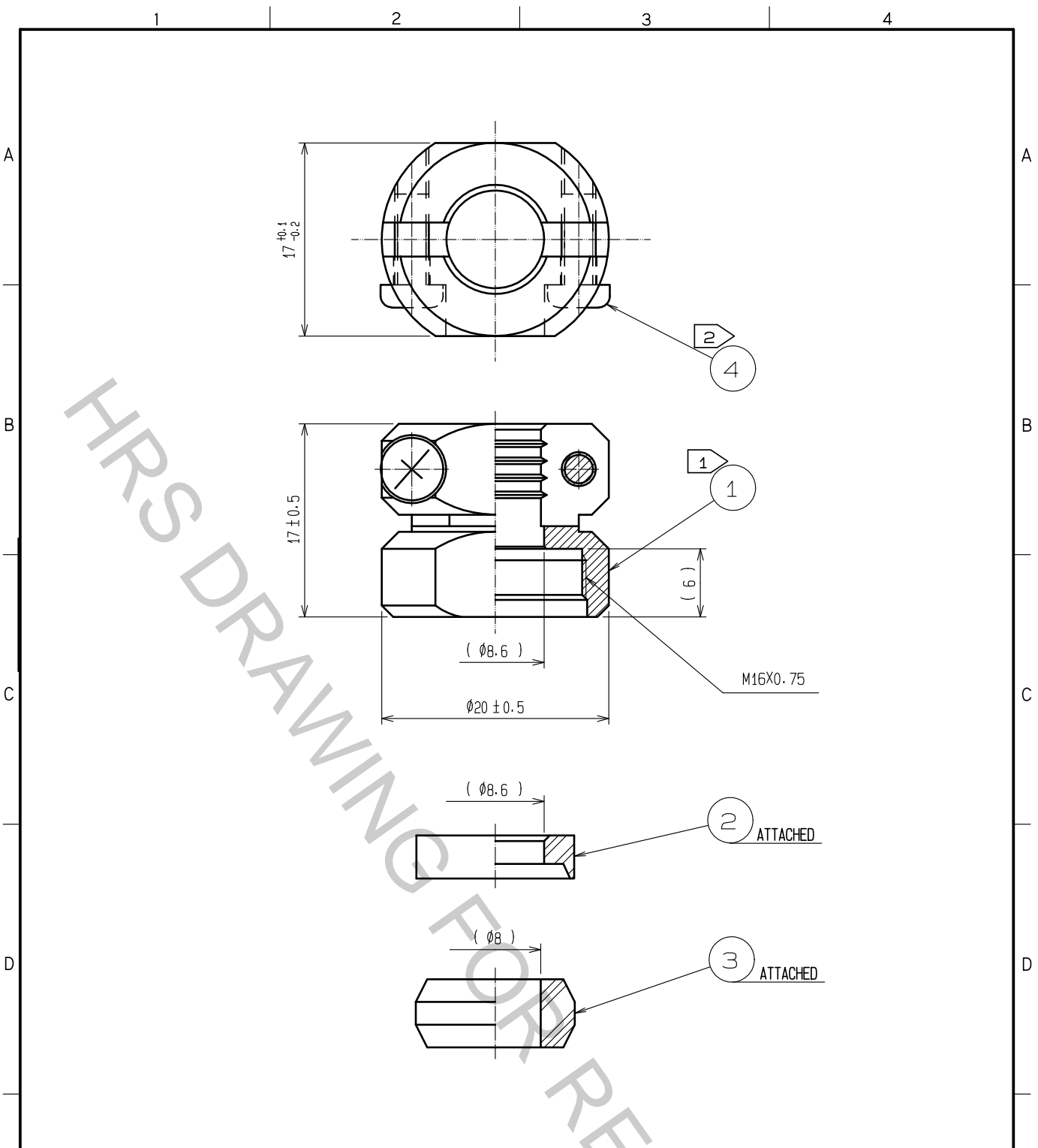


Aug.1.2018 Copyright 2018 HIROSE ELECTRIC CO., LTD. All Rights Reserved.
 In case that the application demands a high level of reliability, such as automotive,
 please contact a company representative for further information.



- ① THE RECOMMENDED CLAMP TRQUE OF REF. ① TO BE 2 TO 2.5N·m
 LOCTITE 263-HENKEL JAPAN OR EQUIVALENT IS RECOMMENDND TO PREVENT
 REF.NO. ① FROM LOOSENING.
- ② THE RECOMMENDED CLAMP TRQUE OF REF. ④ TO BE 0.65 TO 0.7N·m

2	PPS	(BLACK) UL94V-0	4	STAINLESS STEEL	M3X0.5X8		
1	BRASS	BLACK CHROME PLATING	3	NBR	(GRAY)		
NO.	MATERIAL	FINISH . REMARKS	NO.	MATERIAL	FINISH . REMARKS		
UNITS mm		SCALE 2 : 1	COUNT 	DESCRIPTION OF REVISIONS	DESIGNED	CHECKED	DATE
HIROSE ELECTRIC CO., LTD.		APPROVED :HY. KOBAYASHI	18.03.12	DRAWING NO.	EDC-110598-31-00		
		CHECKED :HY. KOBAYASHI	18.03.12	PART NO.	JR13WCC-8(31)		
		DESIGNED :TH. KAMEYA	18.03.09	CODE NO.	CL114-2049-1-31		
		DRAWN :TH. KAMEYA	18.03.09				1