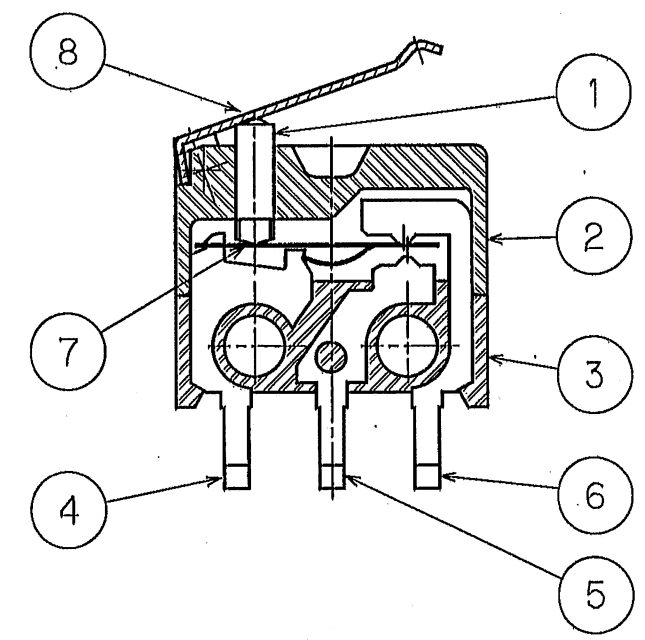
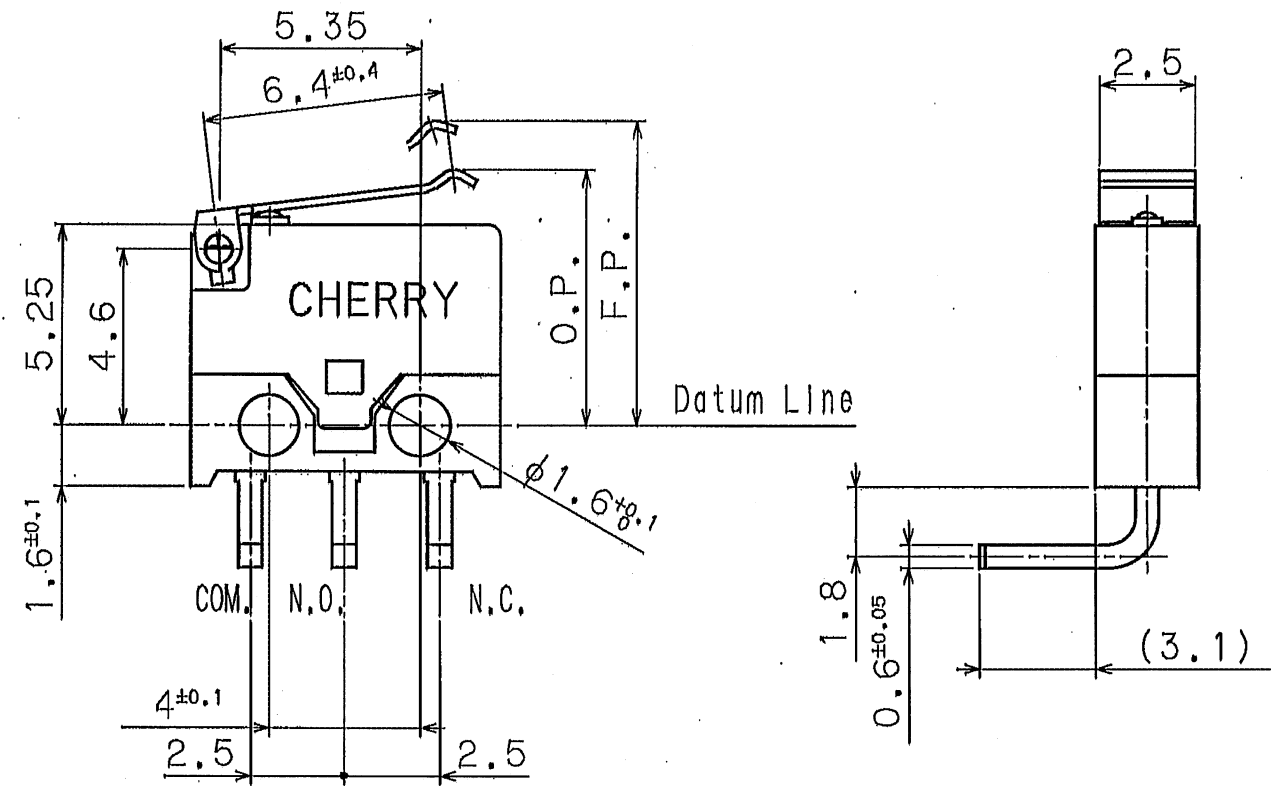


NO.	NAME	MATERIAL	Qty
1	BUTTON	PBT	1
2	COVER	PBT	1
3	BASE UNIT	PPS (COLOR:BLACK)	1
4	TERMINAL (COM.)	BRASS (NI+Ag PLATED)	1
5	TERMINAL (N.O.)	BRASS (NI+Ag PLATED)	1
6	TERMINAL (N.C.)	BRASS (NI+Ag PLATED)	1
7	BLADE	STAINLESS (NI+Ag PLATED)	1
8	ACTUATOR	STAINLESS	1

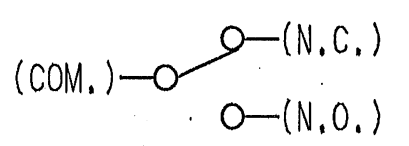


CONSTRUCTION



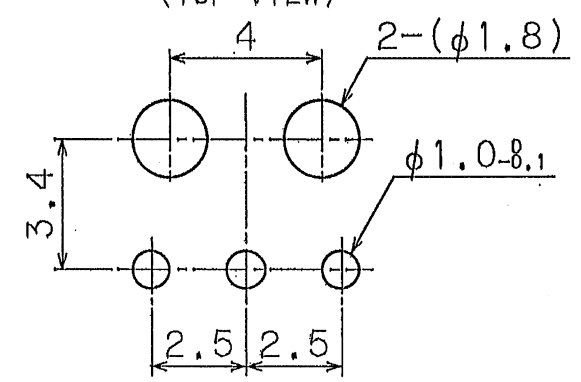
Note.1. Tolerance; unless otherwise specified ±0.2mm

CIRCUITRY



P-C Board Layout

Tolerance; ±0.05
(TOP VIEW)



REVISION	DATE	REVISION	DATE	DWN	CKD	APP	REMARKS
-	ECN-64777	7 Jan, '04		H. Hagihara	S. Nagakawa	[Signature]	
-	EDITION 1 FIXED	7 Jan, '04		7 Jan, '04	8 Jan, '04	08.12.12.04	
				SCALE	UNITS	PROJ.	
				NON	mm	3RD	
							DIVISION
							GEOO
Title	Micro Switch	Part No.	DH3C-C6LA	DWG No.	305451		