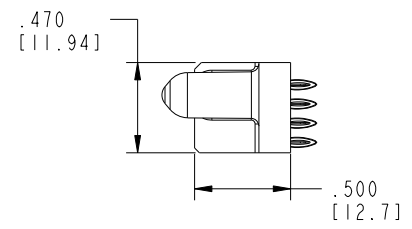
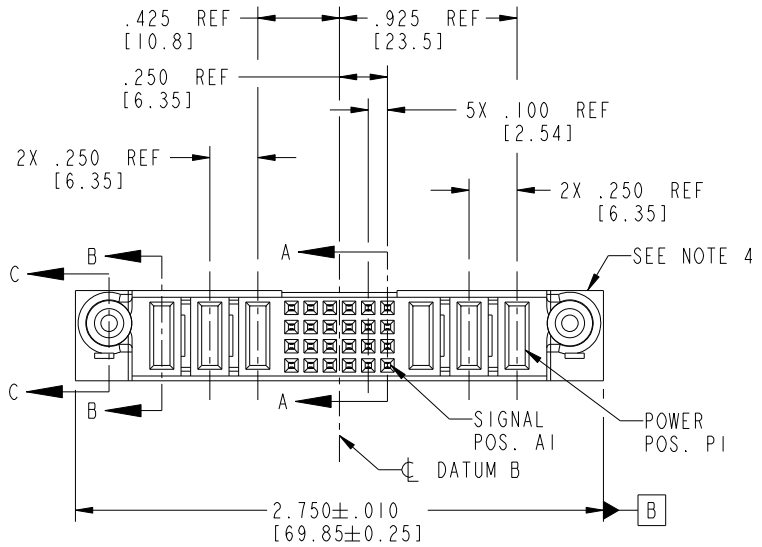


Tous droits strictement réservés. Reproduction ou communication a des tiers interdite sous quelque forme que ce soit sans autorisation écrite du propriétaire. Propriété de c FCI. Droits de reproduction FCI.

All rights strictly reserved. Reproduction or issue to third parties in any form whatever is not permitted without written authority from the proprietor. Property of FCI. Copyright FCI.



PRODUCT NO.	ROWS	POWER			SIGNAL					POWER					
		E2	P6	P5	P4	6	5	4	3	2	1	P3	P2	P1	E1
51750-066-- NOTE ③	D C B A														



CODE	DIM "M" MATING LENGTH	CONTACT TYPE
F	N/A [N/A]	SIGNAL
PC	.042 [1.07]	POWER
PF	.092 [2.34]	POWER

mat'l code				SEE NOTE 2		tolerances unless otherwise specified		CUSTOMER		FCI	
ltr	ecn no.	dr	date	linear	.XX±.01/0.X±0.3	projection		COPY		www.fciconnect.com	
A	DG05-0137	SW	06/01/05	linear	.XXX±.005/0.XX±0.13	INCH/MM		title		3P + 24S + 3P	
B	DG08-0251	W D	09/13/08	angles	.XXX±.0020/0.XXX±0.051	1:1		product family		PwrBlade	
				dr	STEVEN WANG 06/01/05	scale		size		dwg no	
				enrg	STEVEN WANG 06/01/05			A		51750-066	
				chr	VICTOR LIN 06/01/05			code		213	
				appd	JOSEPH HSIA 06/01/05			sheet		1 of 4	
sheet index		revision sheet		B	B	B	B				
		1 2		B	B	B	B				

Pro/E

PDM: Rev:B

STATUS: Released

Printed: Dec 20, 2010

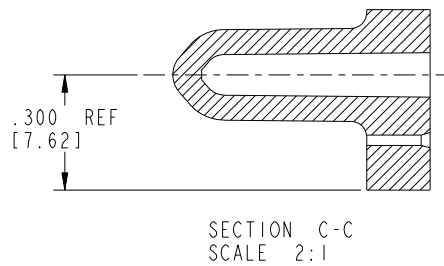
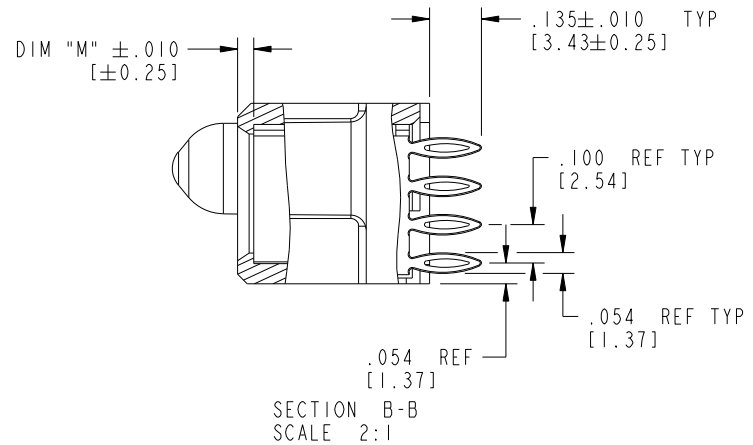
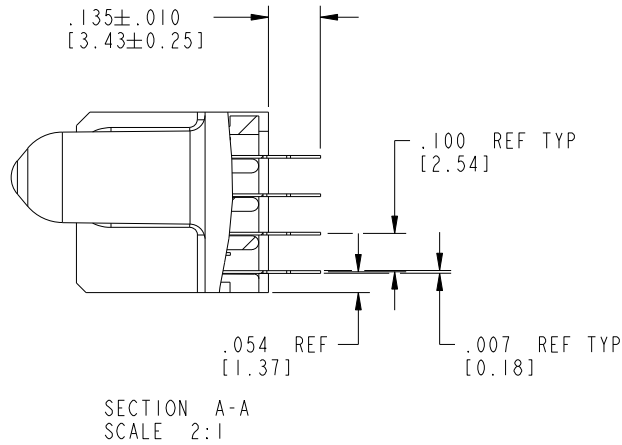
cage code 28526

Tous droits strictement réservés. Reproduction ou communication a des tiers interdite sous quelque forme que ce soit sans autorisation écrite du propriétaire. Propriete de c FCI. Droits de reproduction FCI.

All rights strictly reserved. Reproduction or issue to third parties in any form whatever is not permitted without written authority from the proprietor. Property of FCI. Copyright FCI.



PRODUCT NUMBER
51750-066--
NOTE ③



mat'l code		SEE NOTE 2		tolerances unless otherwise specified		CUSTOMER		FCI	
ltr	ecn no.	dr	date	linear	.XX±.01/0.X±0.3	COPY		www.fciconnect.com	
B				projection	.XX±.005/0.XX±0.13			title 3P + 24S + 3P	
				angles	.XXX±.0020/0.XXX±0.051			VERTICAL PRSSFIT RECEPT	
				dr	0°±2°	INCH/MM		product family PwrBlade	
				enr	STEVEN WANG 06/01/05	scale 1:1		code 213	
				chr	STEVEN WANG 06/01/05			size dwg no 2 of 4	
				appd	VICTOR LIN 06/01/05			A 51750-066	
					JOSEPH HSIA 06/01/05				
sheet index	revision sheet								

Pro/E

PDM: Rev: B

STATUS: Released

Printed: Dec 20, 2010

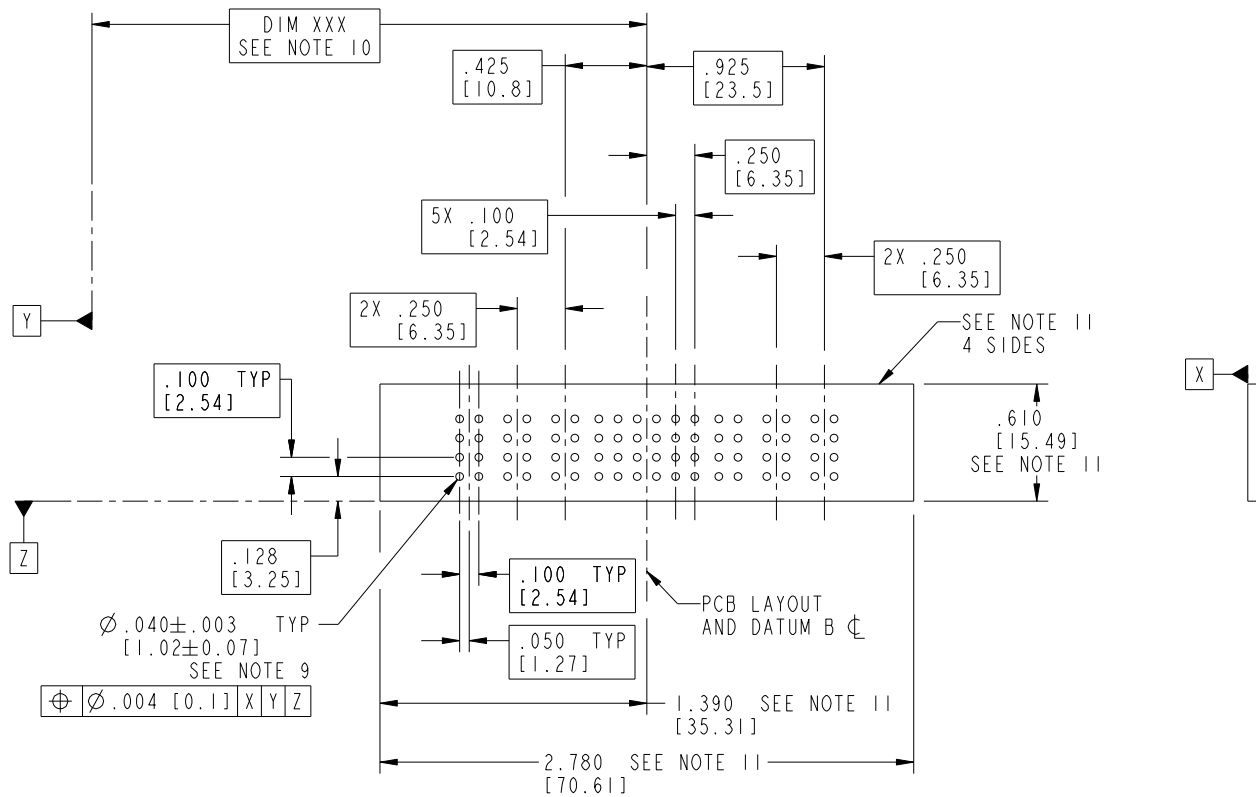
cage code 28536

Tous droits strictement réservés. Reproduction ou communication a des tiers interdite sous quelque forme que ce soit sans autorisation écrite du propriétaire. Propriété de c FCI. Droits de reproduction FCI.



All rights strictly reserved. Reproduction or issue to third parties in any form whatever is not permitted without written authority from the proprietor. Property of FCI. Copyright FCI.

PRODUCT NUMBER
51750-066--
NOTE ③



RECOMMENDED PCB LAYOUT

mat'l code		SEE NOTE 2		tolerances unless otherwise specified		CUSTOMER		 www.fciconnect.com	
ltr	ecn no.	dr	date	linear	.XX±.01/0.X±0.3	COPY		title	
B				linear	.XX±.005/0.XX±0.13	projection		3P + 24S + 3P	
				angles	.XXX±.0020/0.XXX±0.051			VERTICAL PRSSFIT RECEPT	
				dr	STEVEN WANG 06/01/05	INCH/MM		product family	
				engr	STEVEN WANG 06/01/05	scale		PwrBlade	
				chr	VICTOR LIN 06/01/05	1:1		code	
				appd	JOSEPH HSIA 06/01/05			size	
sheet index		revision sheet						A 51750-066	
								213	
								3 of 4	

Pro/E

PDM: Rev: B

STATUS: Released

Printed: Dec 20, 2010

Tous droits strictement réservés. Reproduction ou communication a des tiers interdite sous quelque forme que ce soit sans autorisation écrite du propriétaire. Propriété de c FCI. Droits de reproduction FCI.



All rights strictly reserved. Reproduction or issue to third parties in any form whatever is not permitted without written authority from the proprietor. Property of FCI. Copyright FCI.

1 | 2

3 |

4

PRODUCT NUMBER
51750-066--
NOTE ③

NOTES:

1. DIMENSIONS AND TOLERANCES ARE IN ACCORDANCE WITH ASME Y14.5M, 1994 UNLESS OTHERWISE SPECIFIED.

CONNECTOR NOTES:

- ② HOUSING MATERIAL: UL 94 V-0 GLASS FILLED HIGH-TEMP THERMOPLASTIC
POWER CONTACT MATERIAL: COPPER ALLOY
SIGNAL PIN MATERIAL: COPPER ALLOY

△ 3. SEE ITEM 7 & 8 IN PRINT 10064183 FOR PLATING SPEC OF 51750-066 AND 51750-066LF RESPECTIVELY.

- ④ MANUFACTURER'S NAME, P/N, AND DATE CODE TO APPEAR ON THIS SURFACE.

5. PRODUCT SPECIFICATION GS-12-149.
APPLICATION SPECIFICATION BUS-20-067.

6. PACKAGED IN TRAYS.

PCB NOTES:

7. ALL HOLE DIAMETERS ARE FINISHED HOLE SIZE.

- ⑧ MOUNTING HOLES, WHERE APPLICABLE, ARE UNPLATED.

- ⑨ $\varnothing .0453 \pm .0010$ [1.151 ± 0.025] DRILLED HOLES PLATED WITH .0003 [0.008] MIN SnPb OVER .001 [0.03] TO .003 [0.08] Cu PLATING TO ACHIEVE $\varnothing .040 \pm .003$ [1.02 ± .07] HOLE.

- ⑩ "DIM XXX" TO BE DETERMINED BY THE CUSTOMER.

- ⑪ CONNECTOR KEEP-OUT ZONE.

12. A/B SYMBOL WILL BE NEXT TO ANY DIMENSION, VIEW, OR NOTE WHICH HAS BEEN MODIFIED WITH THE CURRENT DRAWING REVISION.

mat'l code				SEE NOTE 2		tolerances unless otherwise specified		CUSTOMER		FCI	
ltr	ecn no.	dr	date	linear	.XX±.01/0.X±0.3	projection		COPY		www.fciconnect.com	
B					.XX±.005/0.XX±0.13	INCH/MM		title		3P + 24S + 3P	
				angles	.XXX±.0020/0.XXX±0.051	INCH/MM		VERTICAL PRSSFIT RECEPT		product family	
				dr	0° ± 2°	scale		PwrBlade		code	
				enrg	STEVEN WANG 06/01/05	1:1		size		213	
				chr	STEVEN WANG 06/01/05			A		sheet	
				appd	VICTOR LIN 06/01/05			51750-066		4 of 4	
					JOSEPH HSIA 06/01/05						
sheet index	revision sheet										

A

A

B

B

1 | 2

Pro/E

PDM: Rev: B

STATUS: Released

Printed: Dec 20, 2010

cage code 28536

4