

MODEL:

# SR25UBSD3

## SmartRack® Shallow-Depth Rack Enclosure



25 Rack Units



3000 lb.  
Stationary  
Load Capacity



3000 lb.  
Rolling  
Load Capacity



Heavy-Duty  
Casters



Locking Doors &  
Side Panels



Standard  
19-inch  
Rack Width



Toolless  
Mounting Slots



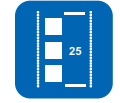
Adjustable  
Rails with  
Easy-View  
Depth Index



Airflow  
Exceeds  
Server OEM  
Requirements



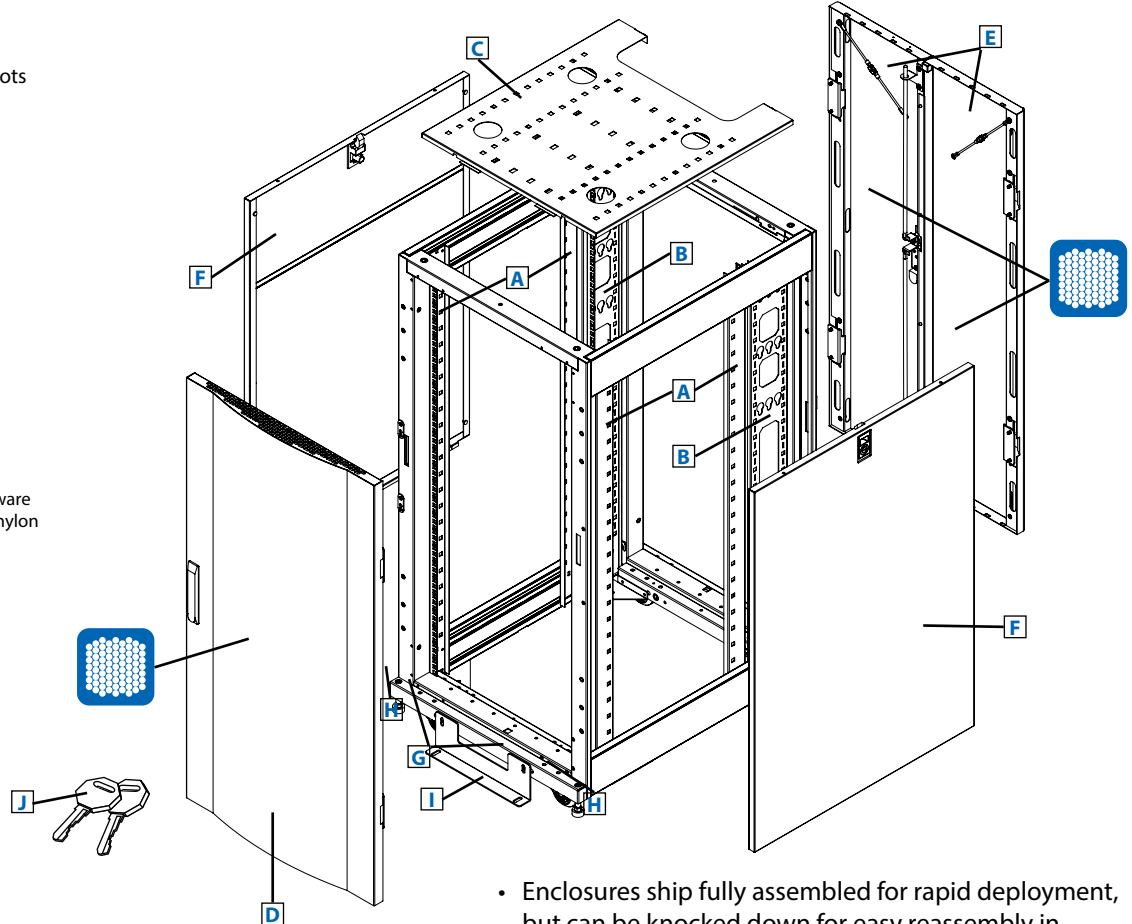
Integrated  
Baying Tabs



Square Hole  
Mounting

- A** Adjustable Mounting Rails
- B** Adjustable PDU Mounting Rails with Toolless Mounting Slots
- C** Roof Panel (Removable)
- D** Front Door (Lockable/Removable/Reversible)
- E** Split Rear Doors (Lockable/Removable)
- F** Side Panels (Lockable/Removable)
- G** Heavy-Duty Casters
- H** Heavy-Duty Levelers
- I** Stabilizing Brackets
- J** Keys (For doors and side panels.)

Also Includes: Owner's manual, 2 shipping/stabilizing brackets and rackmount equipment mounting hardware (50 cage nuts, 50 mounting screws, 50 nylon cup washers).



- Enclosures ship fully assembled for rapid deployment, but can be knocked down for easy reassembly in confined spaces
- Modular design optimized for quick configuration and reconfiguration
- Shallow depth perfect for smaller equipment installs or areas with limited floor space
- Ideal for rackmount server, network and telecom applications

**SEE NEXT PAGE FOR DETAILED UNIT MEASUREMENTS**



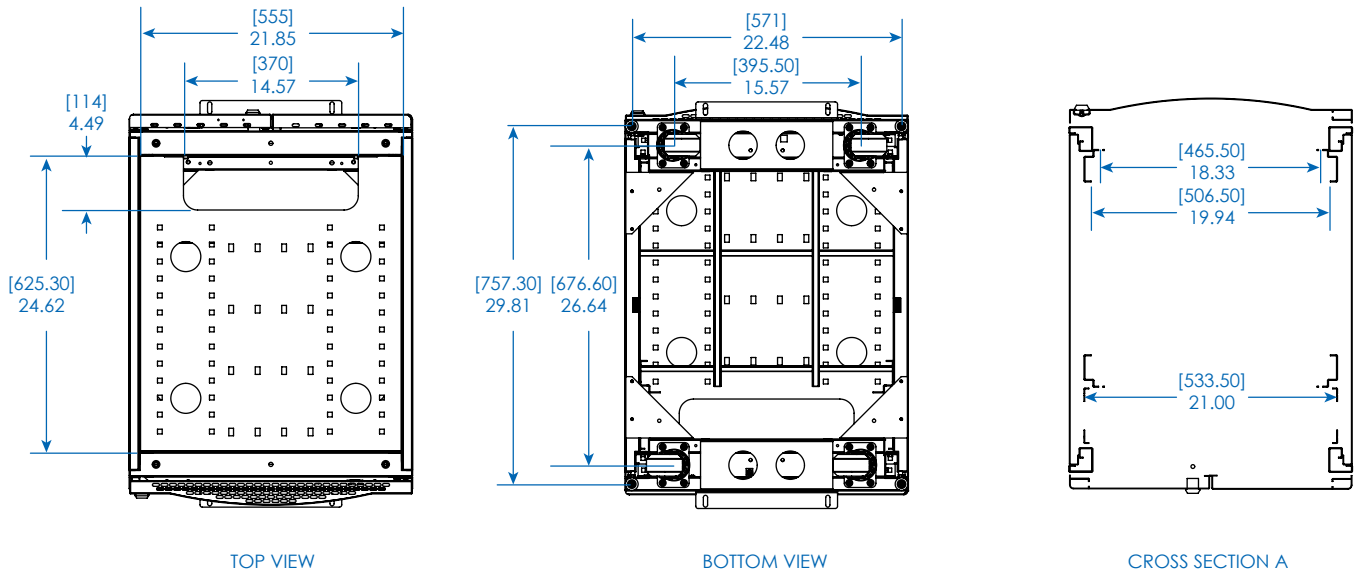
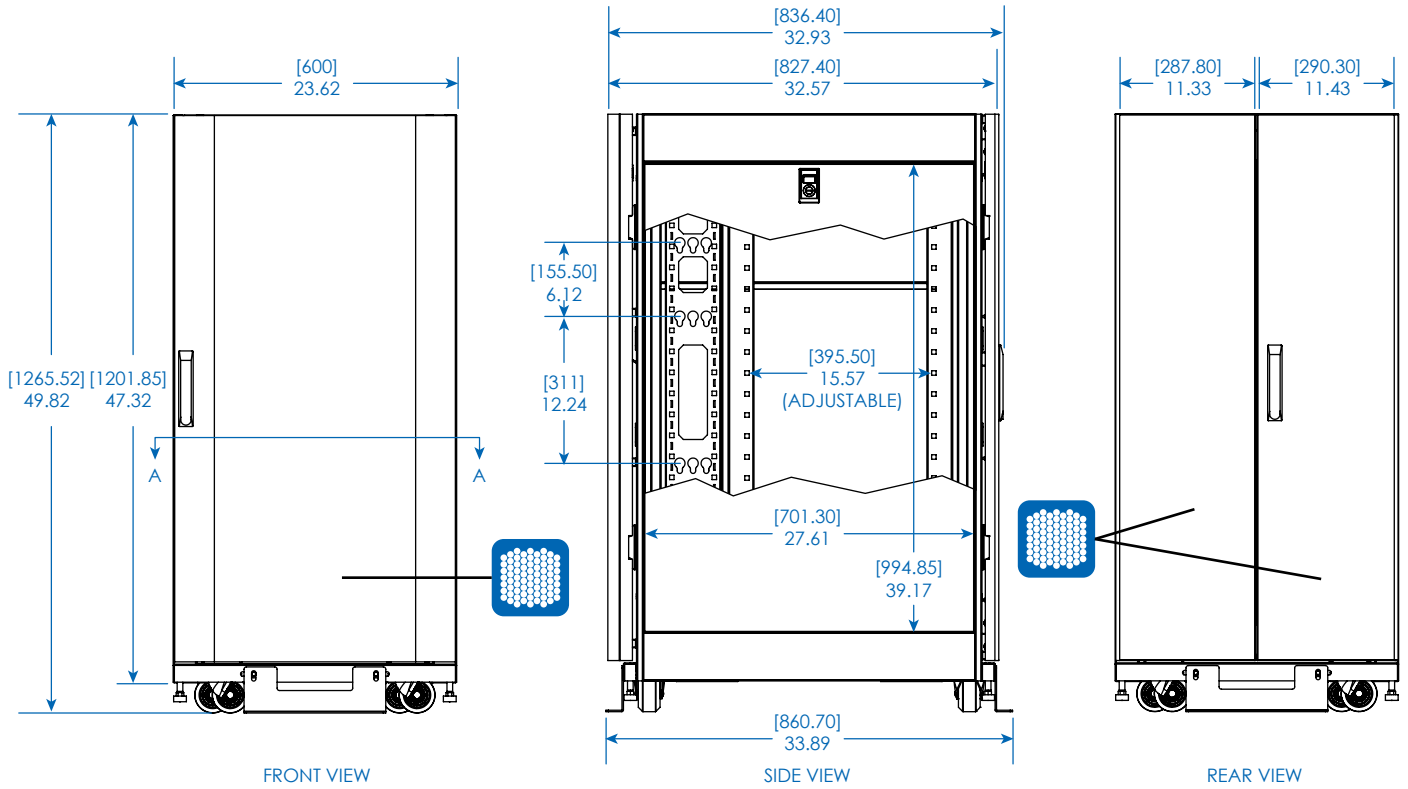
1111 W. 35th Street  
Chicago, IL 60609 USA  
773.869.1234  
www.tripplite.com

### Specifications

Model	SR25UBSD3
Rack Spaces	25U
Stationary Load Capacity	3000 lb. / 1361 kg
Rolling Load Capacity	3000 lb. / 1361 kg
Unit Dimensions (H x W x D)	50 x 23.63 x 32.6 in. / 1270 x 600 x 828 mm
Shipping Dimensions (H x W x D)	56 x 26 x 34.25 in. / 1422 x 660 x 870 mm
Unit Weight	190 lb. / 86 kg
Shipping Weight	217 lb. / 98 kg
Standards	Tested to EIA/ECA-310-E, UL 60950, NOM (Mexico), RoHS

Tripp Lite has a policy of continuous improvement. Specifications are subject to change without notice.

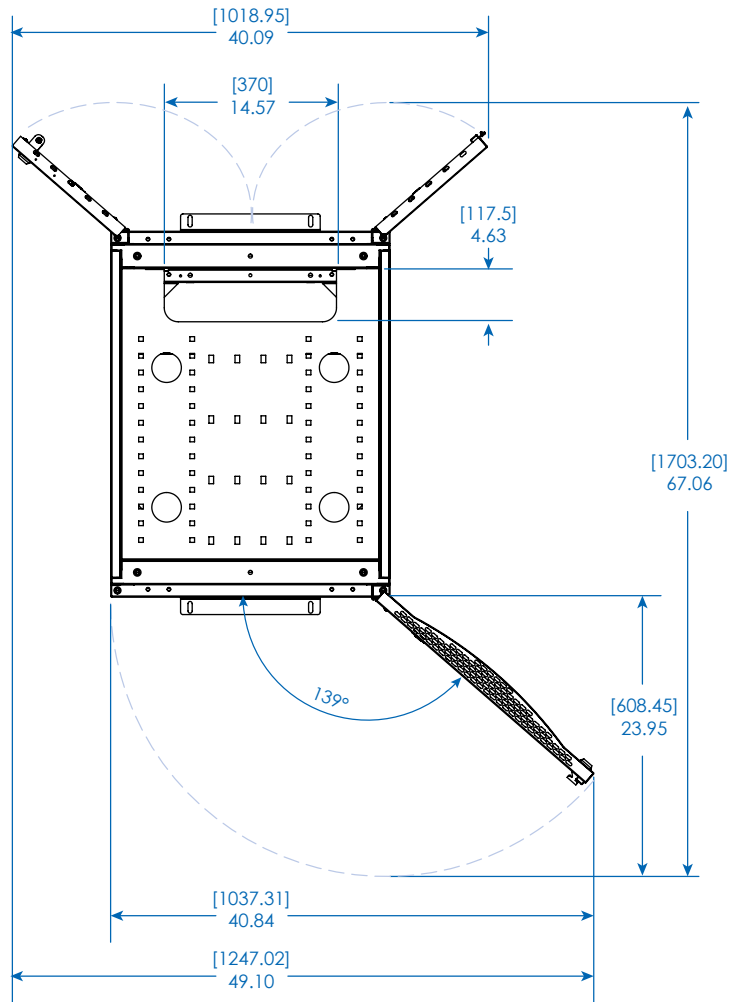




Dimensions: [mm] INCHES

Tripp Lite has a policy of continuous improvement. Specifications are subject to change without notice.

MODEL:  
**SR25UBSD3**



TOP VIEW (DOORS OPEN)

MODEL:  
**SR25UBSD3**



1111 W. 35th Street  
Chicago, IL 60609 USA  
773.869.1234

[www.tripplite.com](http://www.tripplite.com)

Dimensions: [mm] INCHES

Tripp Lite has a policy of continuous improvement. Specifications are subject to change without notice.