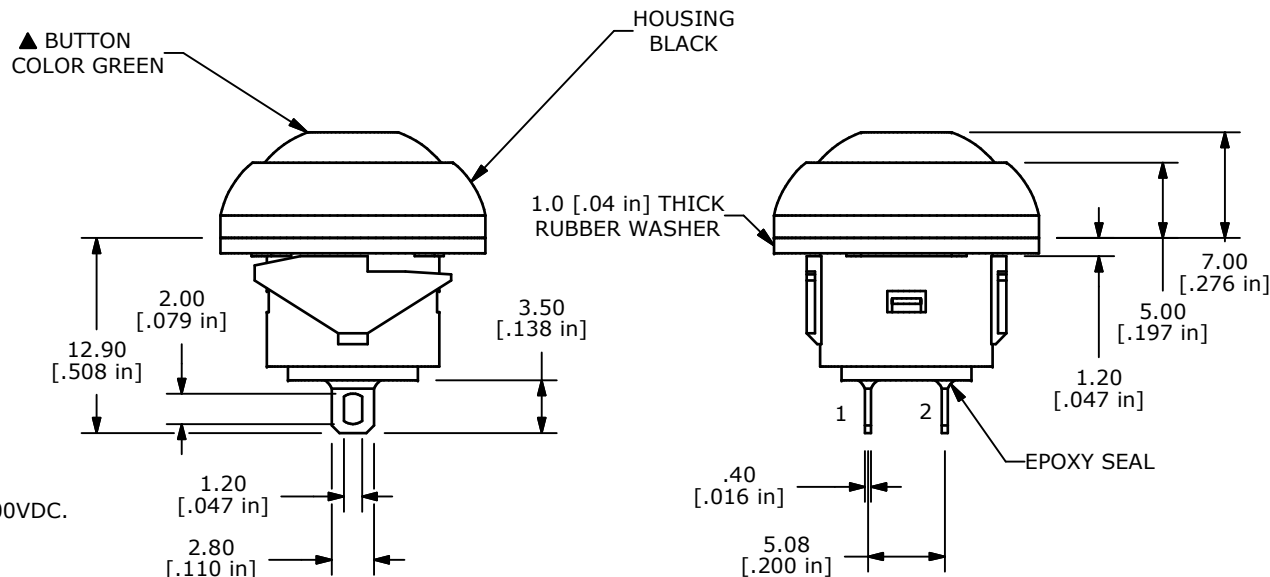
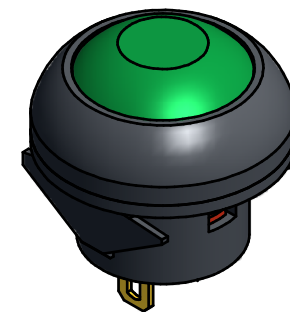
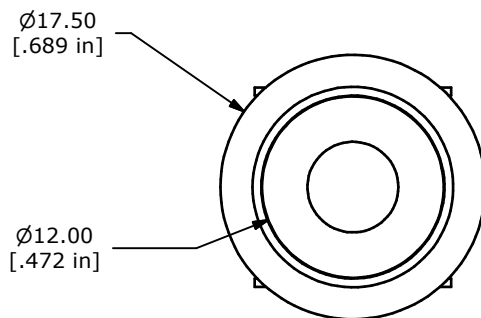


▲ **CIRCUIT: SPST**
OFF-(ON)
MOMENTARY

- NOTE:
1. ALL DIMENSIONS IN MM [INCH]
 2. GENERAL TOLERANCE: X.X=±0.4
X.XX=±0.25
 3. TERMINAL NUMBERS FOR REF ONLY
 4. CIRCUIT: SPST OFF-MOMENTARY ON
 5. CONTACT MATERIAL: GOLD over SILVER
 - ▲ 6. RATING: 125mA @ 125 VAC
100mA @ 50 VDC
 - ▲ 7. ELECTRIC LIFE: 500,000 CYCLES AT FULL LOAD
 8. CONTACT RESISTANCE: 50 milli-OHM max. (INITIAL)
 9. INSULATION RESISTANCE: 1,000 MEGA-OHM min. @ 500VDC.
 10. DIELECTRIC STRENGTH: 1,000 VAC rms.
 - ▲ 11. OPERATING FORCE: 350 gf +/- 150 gf
 12. OPERATING TEMPERATURE: -30°C TO +85°C.
 13. CONTACT BOUNCE: 10ms MAX.
 - ▲ 14. TRAVEL: 1.5mm
 15. PANEL THICKNESS RANGE: 0.8 - 1.8 mm.
 16. ▲ DENOTES CRITICAL PARAMETER.
 17. 2002/95/EC (ROHS) COMPLIANT
 18. HARDWARE INCLUDED:
1. T081100 RUBBER SEAL (1)
 - Ⓟ 19. SEAL RATING: IP67 AT THE FRONT PANEL



E-SWITCH®				
TITLE RP8100B1M1CEBLKGRNNIL				
SCALE	DATE	DR	DWG	REV
2=1	5/6/2011	BMA	ST081045	B

B	21595	CHANGE SEAL RATING FROM IP65 TO IP67	9/25/14	EBP
A	19920	RELEASE FOR PRODUCTION	05/06/11	BMA
REV	PCR NO	DESCRIPTION	DATE	BY
<small>THE INFORMATION CONTAINED IN THIS DOCUMENT IS PROPRIETARY TO E-SWITCH AND IS NOT TO BE COPIED OR TRANSFERRED</small>				