

4

3

2

1

THIS DRAWING IS UNPUBLISHED.

RELEASED FOR PUBLICATION

© COPYRIGHT - By -

ALL RIGHTS RESERVED.

LOC
HB

DIST
-

REVISIONS

P	LTR	DESCRIPTION	DATE	DWN	APVD
	D	CHANGE LOGO, ADD CQC, LINE IDENTIFIER, PLATING THICKNESS	ECO-12-005725	21-AUG-12	D.L B.H.Y
	E	REVISE ONLY	ECO-13-015347	16-DEC-13	XL,Y B,F

D

D

C

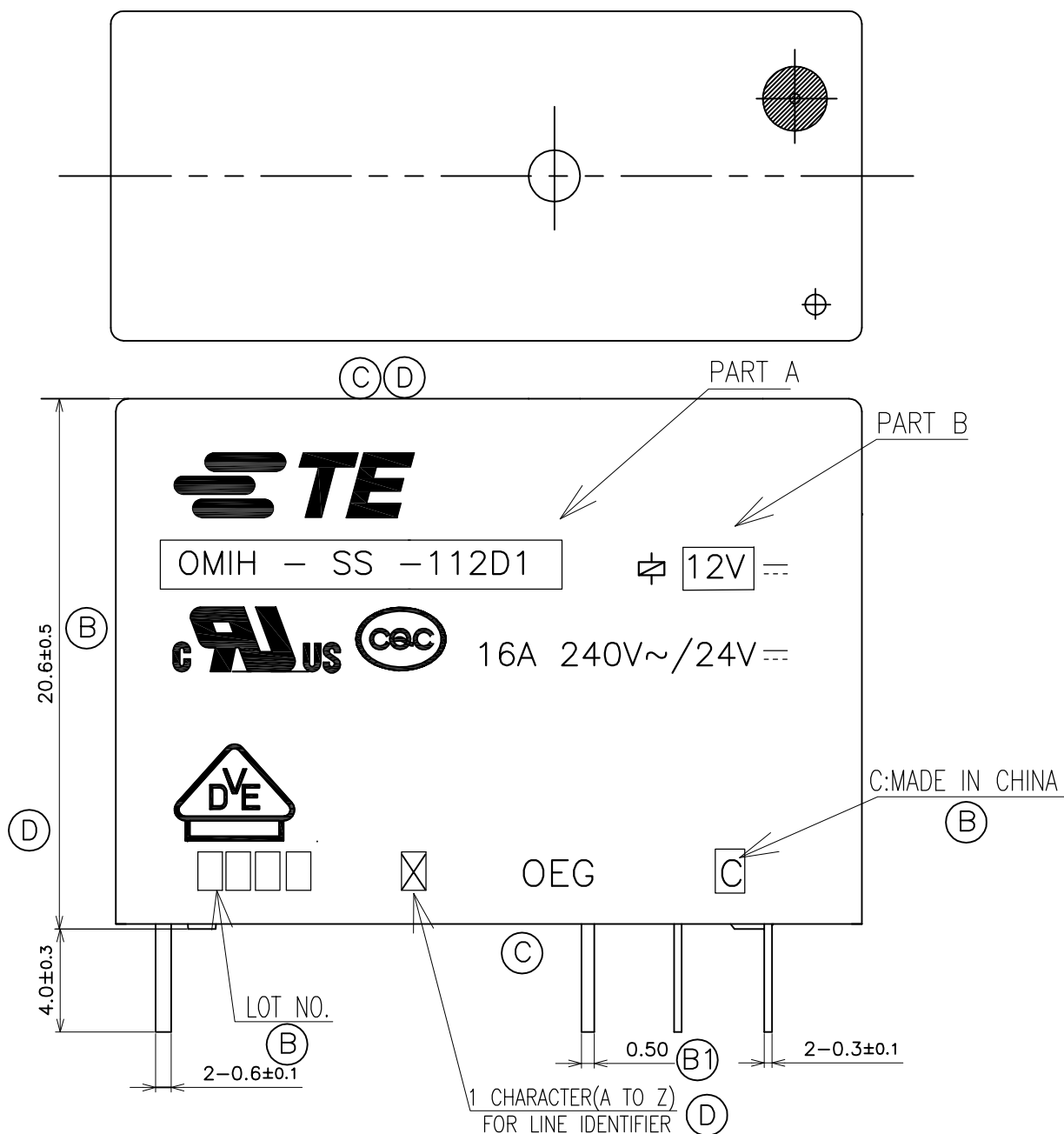
C

B

B

A

A



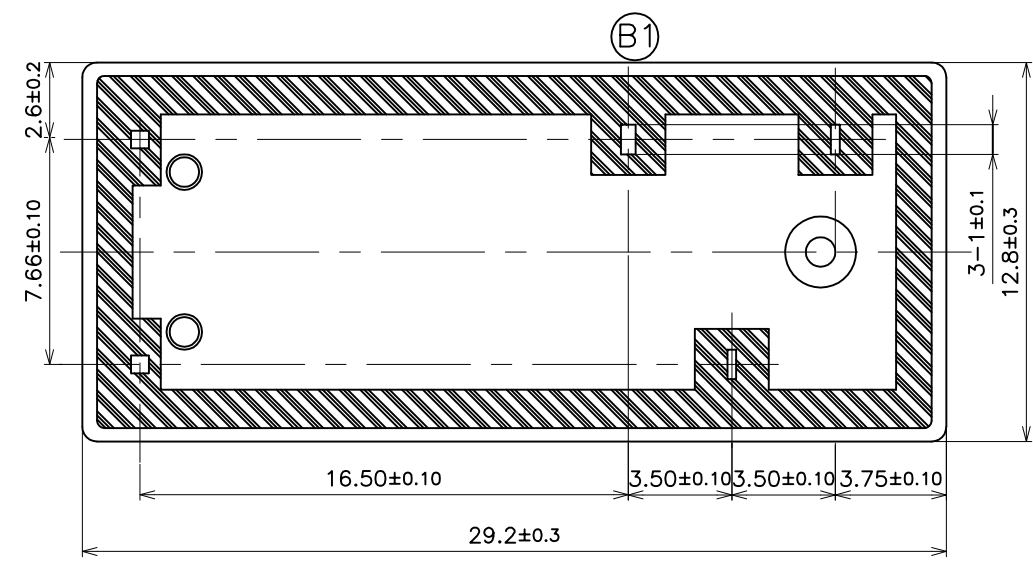
NOTES:
 1.-SH- : WASHABLE TYPE
 -SS-:PLASTIC SEALED TYPE
 1.LOT NO. SYSTEM AS FOLLOWING:
 0 7 0 1
 WEEK
 YEAR

2.GENERAL TOLERANCE AS FOLLOWING:

TOLERANCE	
0~0.99mm	±0.1
1mm~2.99mm	±0.2
3mm MIN.	±0.3

3.TERMINAL DIMENSION IS NOT INCLUDING SOLDER TIP.

④ 4.FOR THE TIN-PLATING OF THE PINS:
 +0.1mm FOR WIDTH,THICKNESS AND DIAMETER.
 +0.5mm FOR LENGTH.



THIS DRAWING IS A CONTROLLED DOCUMENT.

DWN Zhang,xiaoning	TE Connectivity
CHK N,Funayama	
APVD Hsu,chien-hui	NAME
PRODUCT SPEC	OMIH CUSTOMER DRAWING
APPLICATION SPEC	RESTRICTED TO
WEIGHT	SIZE CAGE CODE DRAWING NO
CUSTOMER DRAWING	A3 00779 C=1721535
	SCALE 4:1 SHEET 1 of 2 REV E

THIS DRAWING IS UNPUBLISHED.

RELEASED FOR PUBLICATION

-. - .

© COPYRIGHT - By -

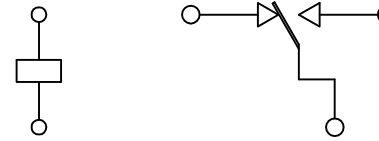
ALL RIGHTS RESERVED.

LOC	DIST	REVISIONS					
HB	-	P	LTR	DESCRIPTION	DATE	DWN	APVD

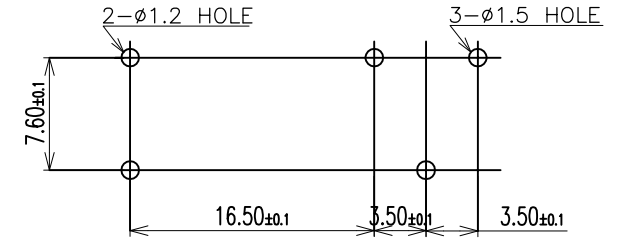
2-1721535-0	OMIH-SH-148L1	48V	OMIH-SH-148L1
1-1721535-9	OMIH-SH-148D1	48V	OMIH-SH-148D1
1-1721535-8	OMIH-SH-124L1	24V	OMIH-SH-124L1
1-1721535-7	OMIH-SH-124D1	24V	OMIH-SH-124D1
1-1721535-6	OMIH-SH-118L1	18V	OMIH-SH-118L1
1-1721535-5	OMIH-SH-112L1	12V	OMIH-SH-112L1
1-1721535-4	OMIH-SH-112D1	12V	OMIH-SH-112D1
1-1721535-3	OMIH-SH-109L1	9V	OMIH-SH-109L1
1-1721535-2	OMIH-SH-105L1	5V	OMIH-SH-105L1
1-1721535-1	OMIH-SH-105D1	5V	OMIH-SH-105D1
1-1721535-0	OMIH-SS-148L1	48V	OMIH-SS-148L1
1721535-9	OMIH-SS-148D1	48V	OMIH-SS-148D1
1721535-8	OMIH-SS-124L1	24V	OMIH-SS-124L1
1721535-7	OMIH-SS-124D1	24V	OMIH-SS-124D1
1721535-6	OMIH-SS-118L1	18V	OMIH-SS-118L1
1721535-5	OMIH-SS-112L1	12V	OMIH-SS-112L1
1721535-4	OMIH-SS-112D1	12V	OMIH-SS-112D1
1721535-3	OMIH-SS-109L1	9V	OMIH-SS-109L1
1721535-2	OMIH-SS-105L1	5V	OMIH-SS-105L1
1721535-1	OMIH-SS-105D1	5V	OMIH-SS-105D1
TE PART NO	DESCRIPTION	PART B	PART A

RELAY TYPE

CONNECTION DIAGRAM (BOTTOM VIEW)



DRILLING DIAGRAM(2/1) (BOTTOM VIEW)



		EPOXY RESIN	CASE VENT HOLE SEAL	17
		EPOXY RESIN	BASE&CASE SEAL	16
UL 94 V-0		PBT	CASE	15
CLASS E		UEW	MAGNETIC WIRE	14
UL 94 V-0		PET	BASE	13
UL 94 V-0		PBT	BOBBIN	12
	SOLDER DIP	CP WIRE	COIL TERMINAL	11
UL 94 V-0		PPS	CARD	10
		Ag ALLOY(CD FREE)	MOVABEL CONTACT	9
		Ag ALLOY(CD FREE)	STATIONARY CONTACT	8
		Cu ALLOY	HINGE SPRING	7
	SOLDER DIP	Cu ALLOY	STATIONARY TERMINAL	6
	SOLDER DIP	Cu ALLOY	MOVABLE SPRING	5
	SOLDER DIP	Cu ALLOY	B TERMINAL	4
		STEEL	CORE	3
		STEEL	ARMATURE	2
		STEEL	YOKE	1
INCOMBUSTIBILITY	TREATMENT	MATERIAL	DESCRIPTION	ITEM

THIS DRAWING IS A CONTROLLED DOCUMENT.		DWN Zhang,xiaoning	STE TE Connectivity	
DIMENSIONS: mm		CHK N, Funayama		
TOLERANCES UNLESS OTHERWISE SPECIFIED:		APVD Hsu,chien-hui	NAME	
0 PLC ± -		PRODUCT SPEC	OMIH CUSTOMER DRAWING	
1 PLC ± -		APPLICATION SPEC	SIZE	RESTRICTED TO
2 PLC ± -		WEIGHT	A3	
3 PLC ± -		CUSTOMER DRAWING	CAGE CODE	DRAWING NO
4 PLC ± -			00779	C=1721535
ANGLES ± -			SCALE	SHEET
FINISH			4:1	2 of 2
MATERIAL			REV	E