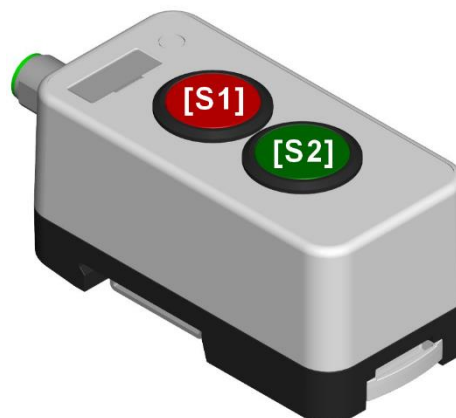


# Smart Box (part no. 73-00001.2)

## Technical specifications

### Description

Housing with two Series 84 white illuminated pushbuttons, directly wired to a 5 pin M12 plug. The housing and switches are sealed to IP67 and are fitted with one red and one green pushbutton lens.



### Shipped:

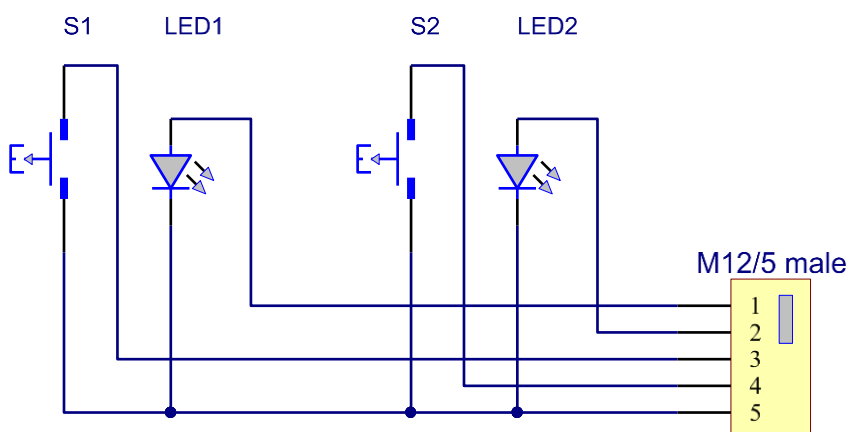
- with lenses (red and green)
- with mounting adapter
- with marking plate

### Equipment

Connection:	M12 5-pin plug, male, A-coding
Control element position [S1]:	S84 button with red lens / white LED Base product: Part no. 84-1101.0 / lens part no. 84-7111.200
Control element position [S2]:	S84 button with lens / white LED Base product: Part no. 84-1101.0 / lens part no. 84-7111.500

### Connector pin assignment

Pin 1:	LED1 Positive terminal
Pin 2:	LED2 Positive terminal
Pin 3:	S1 button terminal
Pin 4:	S2 button terminal
Pin 5:	Shared terminal Button S1 / S2 / LED1 / LED2



### Electrical characteristics

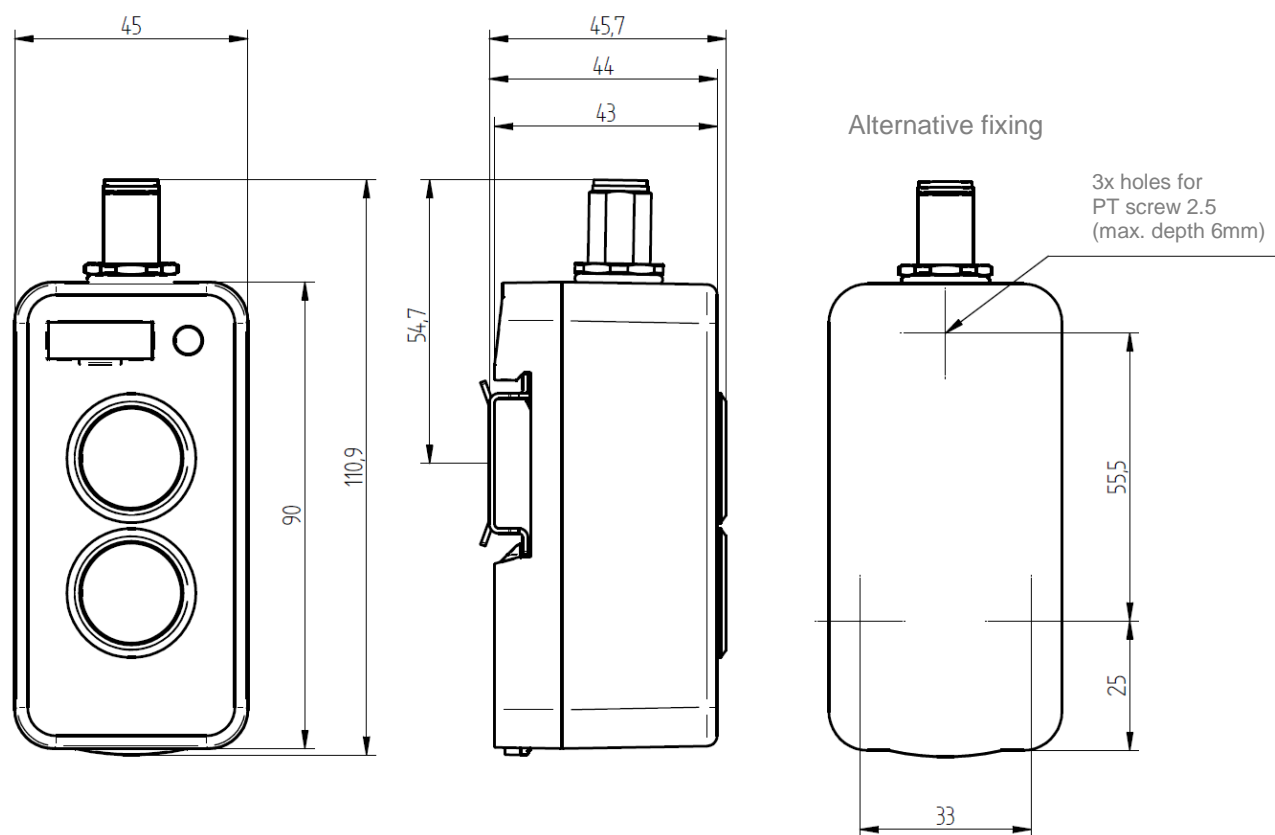
Button operating voltage:	Maximum 30VDC
Switching rate:	10 $\mu$ A ... 100mA / Maximum 2W
LED operating voltage:	24VDC
White LED operating current:	10mA $\pm$ 10% at 24VDC

Please refer to EAO Series 84 for more technical data on the mounted switches / LEDs.

Mechanical characteristics

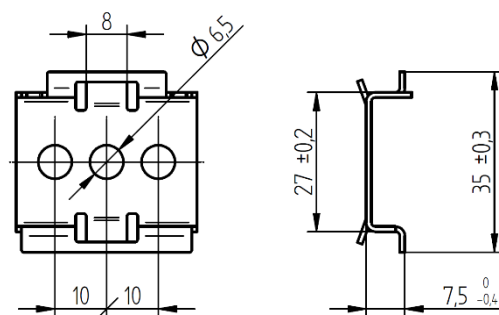
Dimensions:

See dimensional diagram  
(Female M12 connector not included)



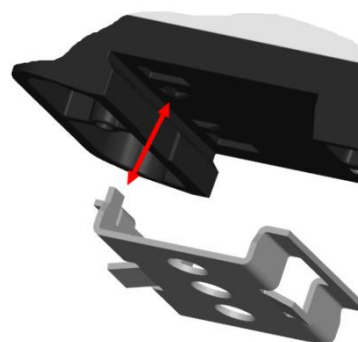
Mounting

- Mount mounting adapter onto mounting surface
- Mount Smart Box on one side (note direction of mounting adapter on the housing)
- Push the housing down onto the adaptor on the other side until the Smart Box audibly clicks into place
- Alternatively, the module can be mounted on a standard top hat rail, or it can be mounted on a base using screws on the rear (see dimensional diagrams).



Dismantling

- Pull out spring element using screwdriver and lift Smart Box
- Remove Smart Box from the other side



### Operating temperatures

Temperature range:	Rated temperature:	25°C
	Operating temperature:	-25 ... 60°C
	Storage temperature:	-40 ... 85°C

### Materials

Upper part of housing:	PBT / UL-V0 / colour similar to RAL9010
Lower part of housing:	PBT / UL-V0 / colour similar to RAL9011
Spring element (for restraint):	POM (nature)
Seal:	MVQ silicone foam bright
Blind plug:	PC / glass clear
Mounting adaptor:	Stainless steel
Housing screws:	Stainless steel
Marking plate:	Plastic / black / surface aluminium-coloured, adhesive
M12 connector housing:	Zinc die cast

### Standards

Degree of protection:	IP67 (with mounted female connector / lenses)
Insulation:	EN 60664-1:2008 / degree of contamination I / insulation material IIIa/b
EMC:	Defined based on components of EAO Series 84
Vibrations:	EN 60068-2-6:2008-10 / 10 – 150Hz / 2g
Shock:	EN 60068-2-27:2010-02 / 15g / 11ms
Conformity	CE

**EAO reference number:**                      **Part no. 73-00001.2**

EAO reserves the right to change specifications without further notice.