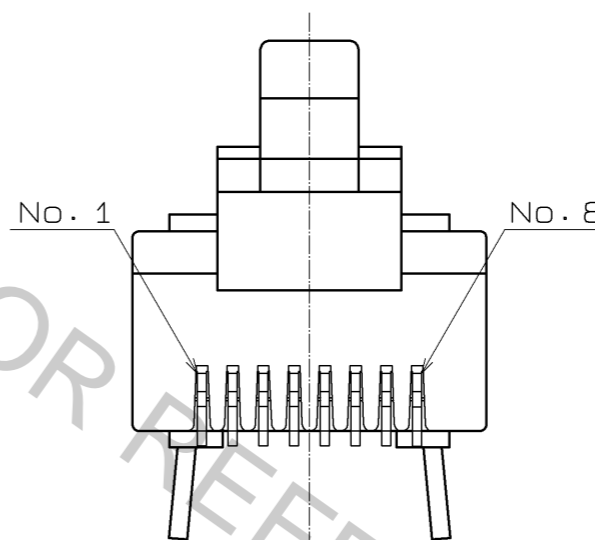


TABLE-1

APPLICABLE CABLE WIRE			
JACKET	SHIELD	CONDUCTOR	φ 0.5 SOLID WIRE
			AWG#24 STRANDED WIRE (φ 0.217)
CORE	CONDUCTOR INSULATOR	INSULATOR DIAMETER	AWG#25 STRANDED WIRE (φ 0.187)
			(φ 0.9~φ 1.0)
JACKET DIAMETER			(φ 6.6)*1

\*1: THE OUTER DIAMETER OF THE VINYL JACKET VARIES SLIGHTLY DEPENDING ON THE HARDNESS. 6.6 DIA. IS FOR REFERENCE.



- NOTES
1. THE DIMENSIONS IN PARENTHESIS ARE FOR REFERENCE.
  2. APPLICABLE CABLE IS SHOWN IN TABLE-1.
  3. TO SATISFY CAT5e PERFORMANCE, PLEASE ASSEMBLE ACCORDING TO HRS INSTRUCTION.
  4. APPLY SEPARATELY ORDERED GUIDE PLATE TM21P-88P(22) CL222-2862-9-22.
  5. THIS PRODUCT SATISFIES CAT6 REQUIREMENTS FOR BASIC LINK CONFIGURATION. (THE CONNECTOR BY ITSELF IS NOT CAT6 COMPLIANT.) COUNTERPART RECEPTACLE IS SHOWN BELOW.  
 TM21R-3C-88(\*\*)  
 TM21R-5C-88(\*\*)  
 TM21R-5C-88-LP(\*\*)

1	PHOSPHOR BRONZE	CONTACT : Au PLATING 1.27 μm MIN LEAD : Au PLATING 0.03 μm MIN UNDER : Ni PLATING 2 μm MIN	3	BRASS	OVER : Sn REFLOW PLATING 1 μm MIN UNDER : Cu PLATING 0.5 μm MIN
2			2	POLYCARBONATE	(CLEAR RED) UL94V-2
NO.	MATERIAL	FINISH . REMARKS	NO.	MATERIAL	FINISH . REMARKS
UNITS	mm	SCALE 4:1	COUNT 12	DESCRIPTION OF REVISIONS DIS-E-003226	DESIGNED MT. ITANO
APPROVED : HO. MIWA		05.01.05		DRAWING NO. EDC3-121484-05	
CHECKED : TH. KAMEYA		05.01.05		PART NO. TM21P-88P(31)	
DESIGNED : SS. SATOH		05.01.05		CODE NO. CL222-2862-9-31	
DRAWN : SS. SATOH		05.01.05			