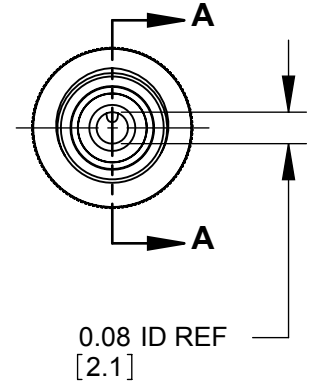
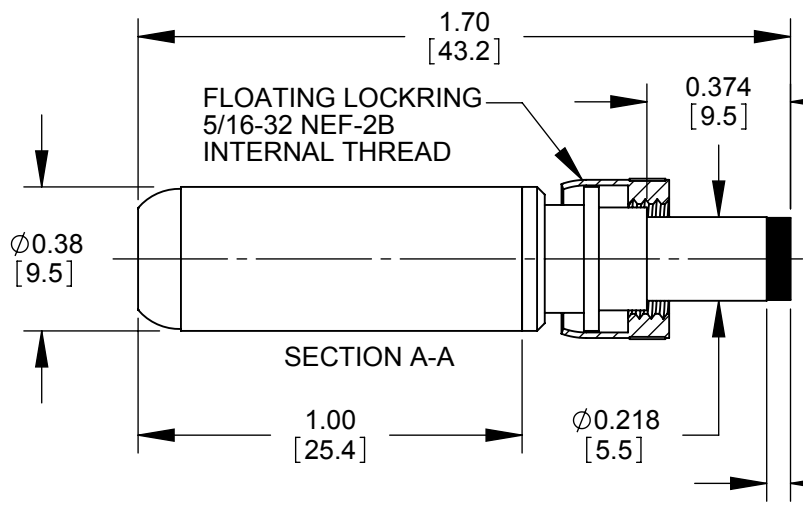
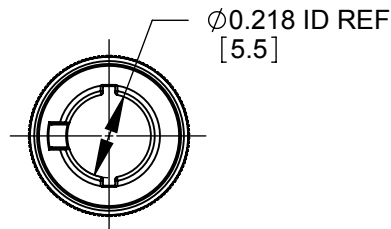


PART NUMBER	HANDLE COLOR
S760K	BLACK
S765K	RED



NOTES:

- MATERIALS:
 CONDUCTORS, LOCKRING - BRASS, NICKEL PLATED
 TERMINALS - BRASS, TIN PLATED
 INSULATORS, HANDLE - THERMOPLASTIC
- THIS PRODUCT IS RoHS COMPLIANT

CUSTOMER DRAWING

					THIS DRAWING DESCRIBES A DESIGN CONSIDERED PROPRIETARY IN NATURE, DEVELOPED AND MANUFACTURED BY SWITCHCRAFT INC. AND IS RELEASED ON A CONFIDENTIAL BASIS FOR IDENTIFICATION PURPOSES ONLY.				
UNLESS OTHERWISE SPECIFIED 1. ALL DIMENSIONS IN INCHES - TWO PLACE DECIMALS ±0.02 - THREE PLACE DECIMALS ±0.005					SIZE *	WIDTH *	MULT *	LBS/M *	TEMPER *
					FINISH *		MATERIAL *		SPEC No. *
DO NOT SCALE DRAWING					FIRST USED ON *		SCALE 2:1		
					DATE DRAWN	BY	CHKD	APVD	
C	25989	11-13-08	JEB	TJK	3-31-09	JEB	JEB	TJK	PART No. S760K-S765K
REV	ECO NUMBER	DATE	BY	APVD	NAME Ø 0.08 [2.0]mm x 0.374 LONG POWER PLUG W/LOCKRING, RoHS		REV C		