

inspired LED

Low Voltage TRIAC Analyzer



Inspired LED's new **TRIAC Analyzer** is an innovative accessory which allows low voltage LED systems to be controlled using almost *any* standard TRIAC wall dimmer with a 12V or 24V DC plug-in power supply. The internal TRIAC analysis circuit determines the state of a dimmer switch, and adjusts the brightness of the low voltage LEDs accordingly, allowing you to choose the switch which matches your décor and eliminating the need for a bulky hardwired dimmable transformer.

SKU# 3701

Product Features:

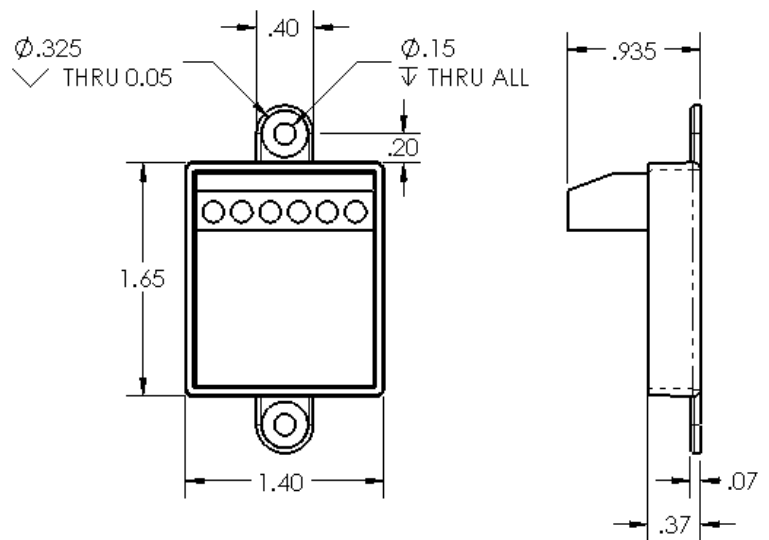
Compatible with most standard analog TRIAC wall dimmers (*Note: not compatible with most digital/electronic wall dimmers*)
Simple screw terminal inputs
Low profile, designed to fit in electrical box
Dual screw mount option, screws included

Specifications:

Input: 12VDC or 24VDC
Max Load: 8 Amps
256 levels of brightness
Screw terminals fit 14-22 AWG
Dimensions - 2.45" x 1.4" x .935"
Net Weight- 17 g

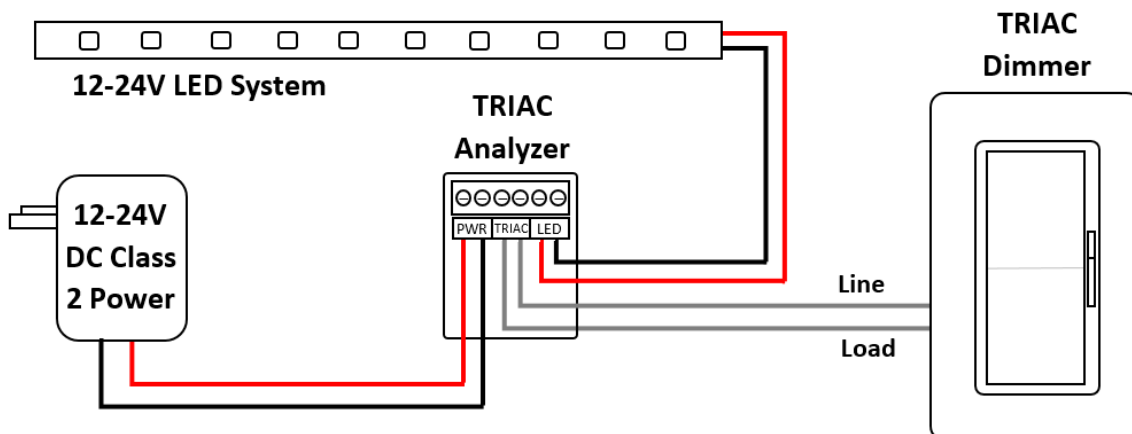
 **United States Patent No. 9288851**

Dimensions:



**Dimensions shown in inches*

Wiring Diagram:



inspiredled.com



orders@inspiredled.com



(480) 941-4286

Instructions: ⚠️ **DO NOT CONNECT TO HIGH VOLTAGE POWER**

To install, you will need 12V or 24V LED lights, 12V or 24V DC Class 2 plug-in power supply, 14-22 AWG 2-conductor cable, compatible standard TRIAC wall dimmer, cable strippers, and a small flathead screwdriver.

1. Install LEDs according to their instructions, ensuring proper power requirements will be met by selected power supply (refer to LED packaging or specifications for more detail).

2. Connect low voltage wire from LEDs to TRIAC Analyzer by opening screw terminals marked LED, stripping cable back 1/4" inch & matching polarity (if using Inspired LED cable, side of wire marked with white lettering is +). Insert stripped ends of wire into screw terminals and retighten screws.

3. Connect "hot" wires from desired analog TRIAC dimmer switch to TRIAC Analyzer by opening screw terminals marked TRIAC, stripping back ends of wire, inserting into terminals (no polarity), and retightening screws.

4. Connect 12 or 24V DC plug-in power supply to TRIAC Analyzer by plugging end connector directly into female pigtail (included) **OR** if desired, remove pigtail, cut off end connector & strip back wire. Open screw terminals marked PWR, match polarity (if using Inspired LED power supply, see specification sheet for more details) insert wire, and retighten screws.

5. Plug power supply into outlet to test connections and ensure functionality of system, then mount TRIAC Analyzer in electrical box behind switch or in other desired location. *Do not enclose TRIAC Analyzer in wall.*



Troubleshooting: *Prior to troubleshooting, ensure all items are compatible, and main power is turned on*

Shift in brightness/color	Check to be sure max run has not been exceeded for LEDs, as this will cause voltage drop, decreasing brightness
Some LEDs not functional	Ensure all connections are secure and that LED strips have not been bent excessively, causing solder to come loose from circuit board
Lights are flashing	Be sure that power supply is not overloaded, if max load is exceeded internal reset will be triggered, turning systems on/off
Lights will not turn on	Be sure that all polarities have been matched between LEDs, wires, and TRIAC Analyzer, reversed polarity will prevent power from running through system Ensure that standard analog TRIAC dimmer is being used, electronic dimmers with internal microcontrollers are not compatible

