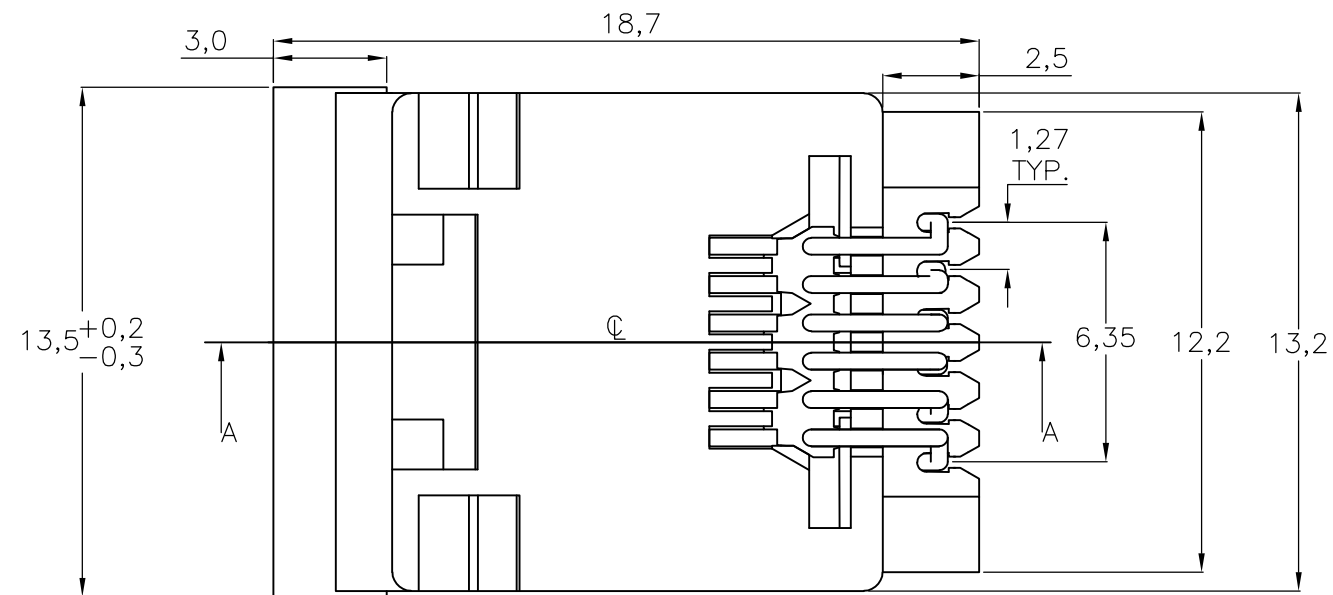
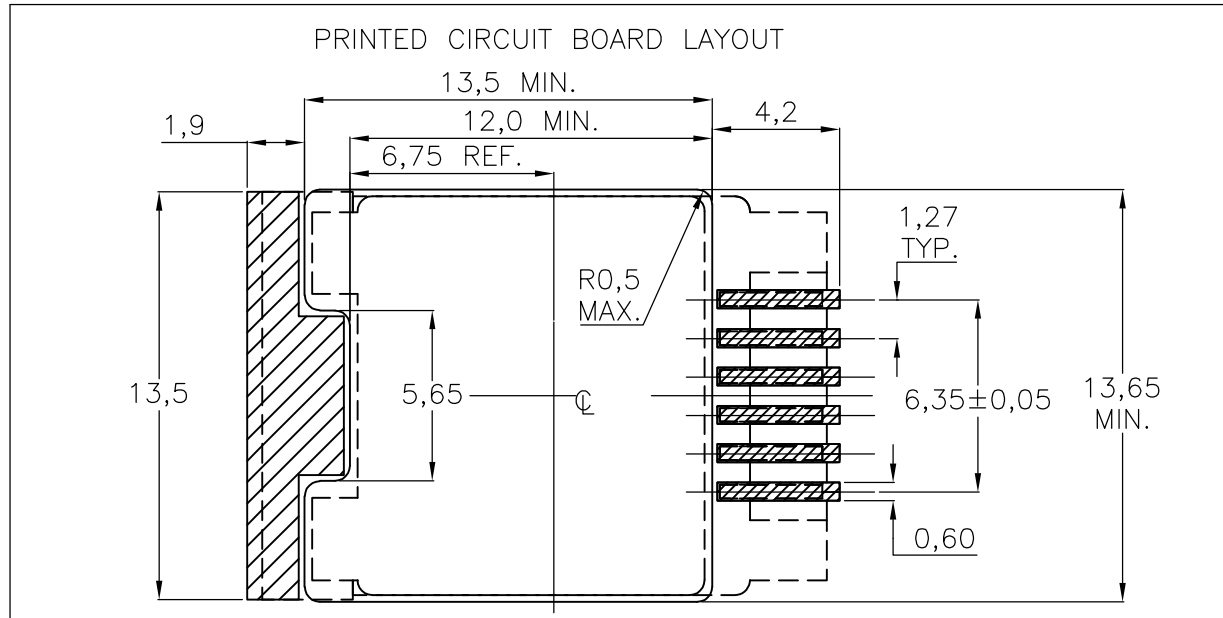
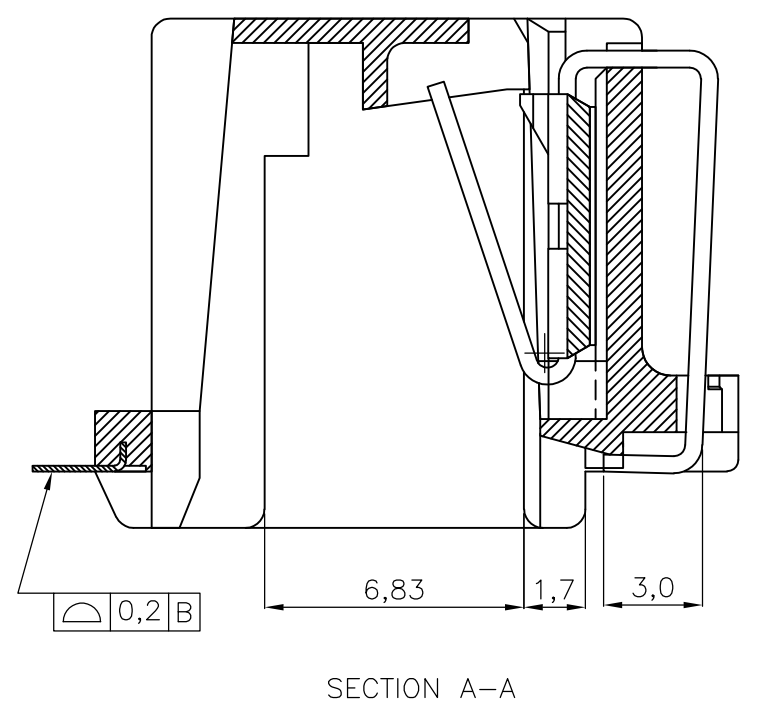
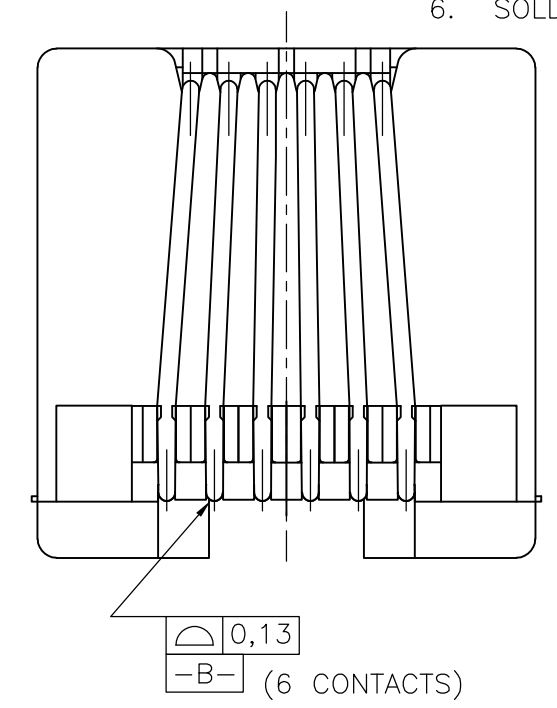
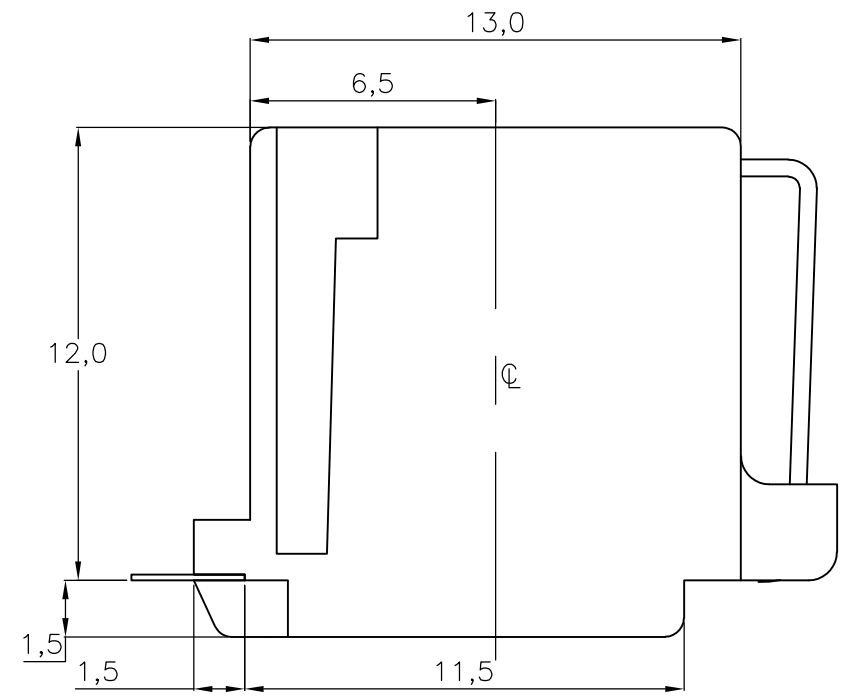
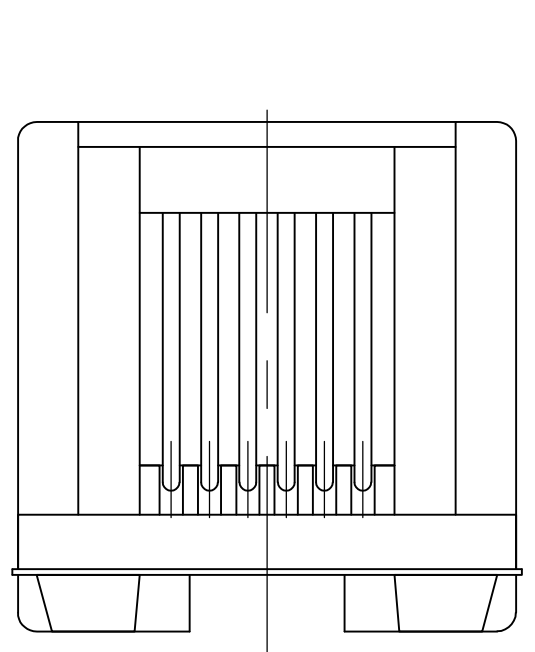


THIS DRAWING IS UNPUBLISHED. RELEASED FOR PUBLICATION
 © COPYRIGHT BY TYCO ELECTRONICS CORPORATION. ALL INTERNATIONAL RIGHTS RESERVED.

LOC	DIST	REVISIONS					
		P	LTR	DESCRIPTION	DATE	DWN	APVD
H	-		L	EH-1518-99	20-09-99	MVE	-
			M	ECR-06-013127	31-05-06	MO	-
			M1	ECR-08-012368	06-07-08	AEG	WRV



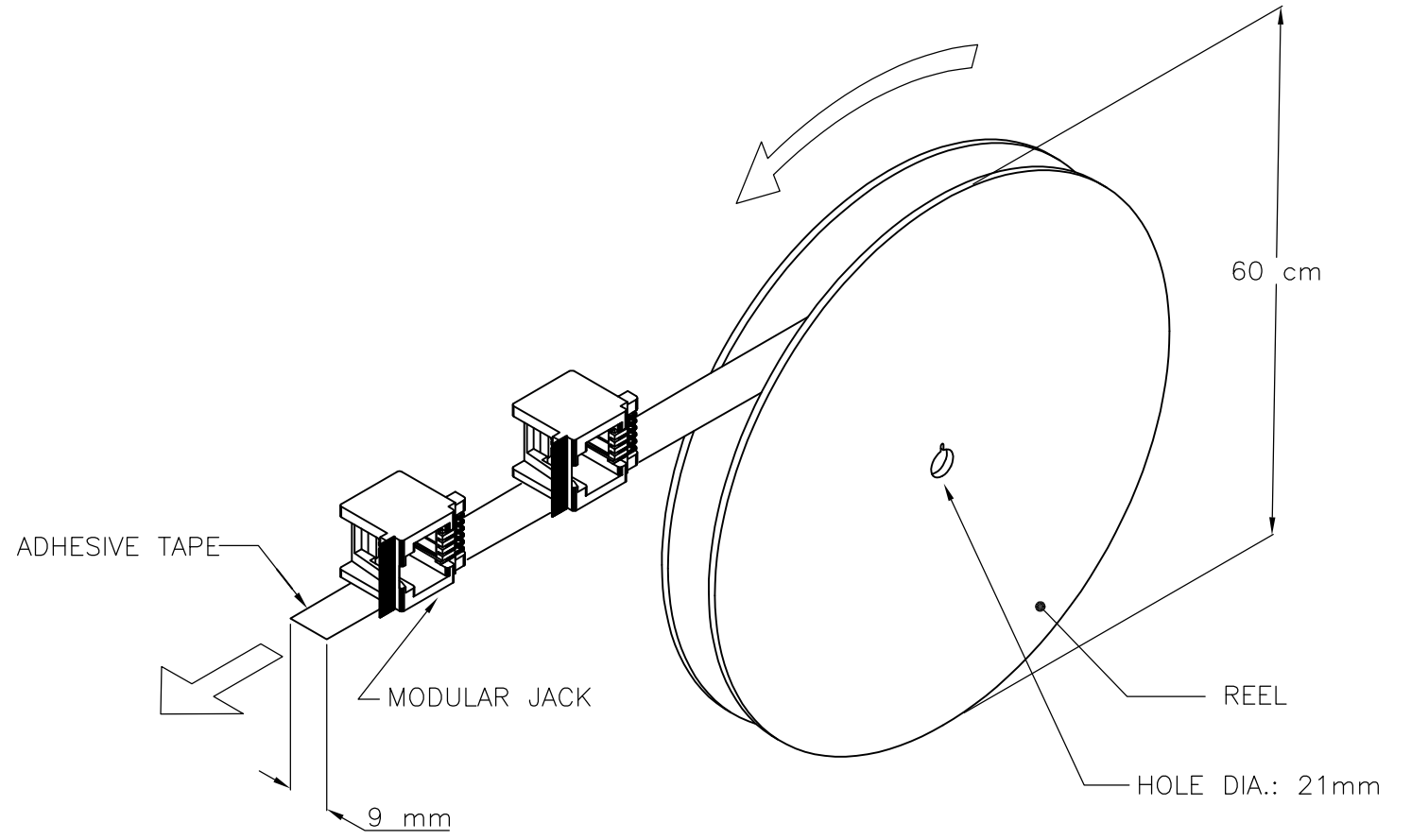
- NOTES:
- TOLERANCES UNLESS OTHERWISE SPECIFIED: ± 0.15
 - CONTACTS:
1.25 μ m MIN. GOLD OVER 1.25 μ m MIN. NICKEL IN CONTACT AREA.
2.0 μ m MIN. TIN OVER 1.25 μ m MIN. NICKEL ON SOLDER TINES.
 - HOUSING:
30% G.F. PA 4.6, COLOR BLACK, UL 94V-0
CONTACTS:
PHOSPHOR BRONZE
ADDITIONAL SOLDERJOINT:
TIN PLATED BRASS
 - MODULAR JACKS ARE DELIVERED TAPE MOUNTED ON REEL. SEE SHEET 2.
 - PRODUCT SPECIFICATION: 108-19117.
APPLICATION SPECIFICATION: 114-19041.
 - SOLDER PASTE THICKNESS 0,15mm (=0.006") MIN.



DESCRIPTION	FINISH	MATERIAL	PARTNUMBER
THIS DRAWING IS A CONTROLLED DOCUMENT.	2	3	SEE SHEET 2
DWN D.CAMPSCHROER 27JAN92			
CHK W. BRUMMANS			
APVD L. VAN SOEST			
PRODUCT SPEC			
APPLICATION SPEC			
WEIGHT			
MATERIAL SEE TABLE			
FINISH SEE TABLE			
CUSTOMER DRAWING		SCALE NTS	SHEET 1 OF 4
		DRAWING NO. A3 00779 C-100860	REV M1

THIS DRAWING IS UNPUBLISHED. RELEASED FOR PUBLICATION
 © COPYRIGHT - BY TYCO ELECTRONICS CORPORATION. ALL RIGHTS RESERVED.

LOC	DIST	REVISIONS			
P	LTR	DESCRIPTION	DATE	DWN	APVD
H	-	SEE SHEET 1	-	-	-

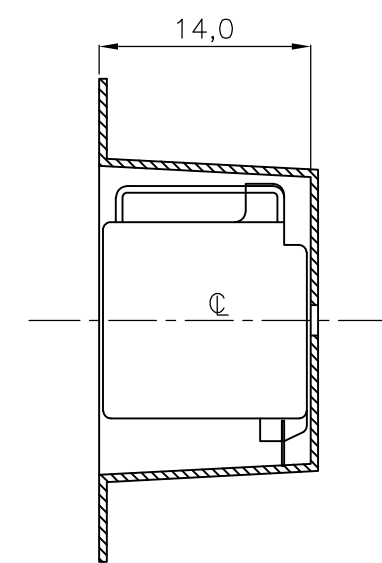
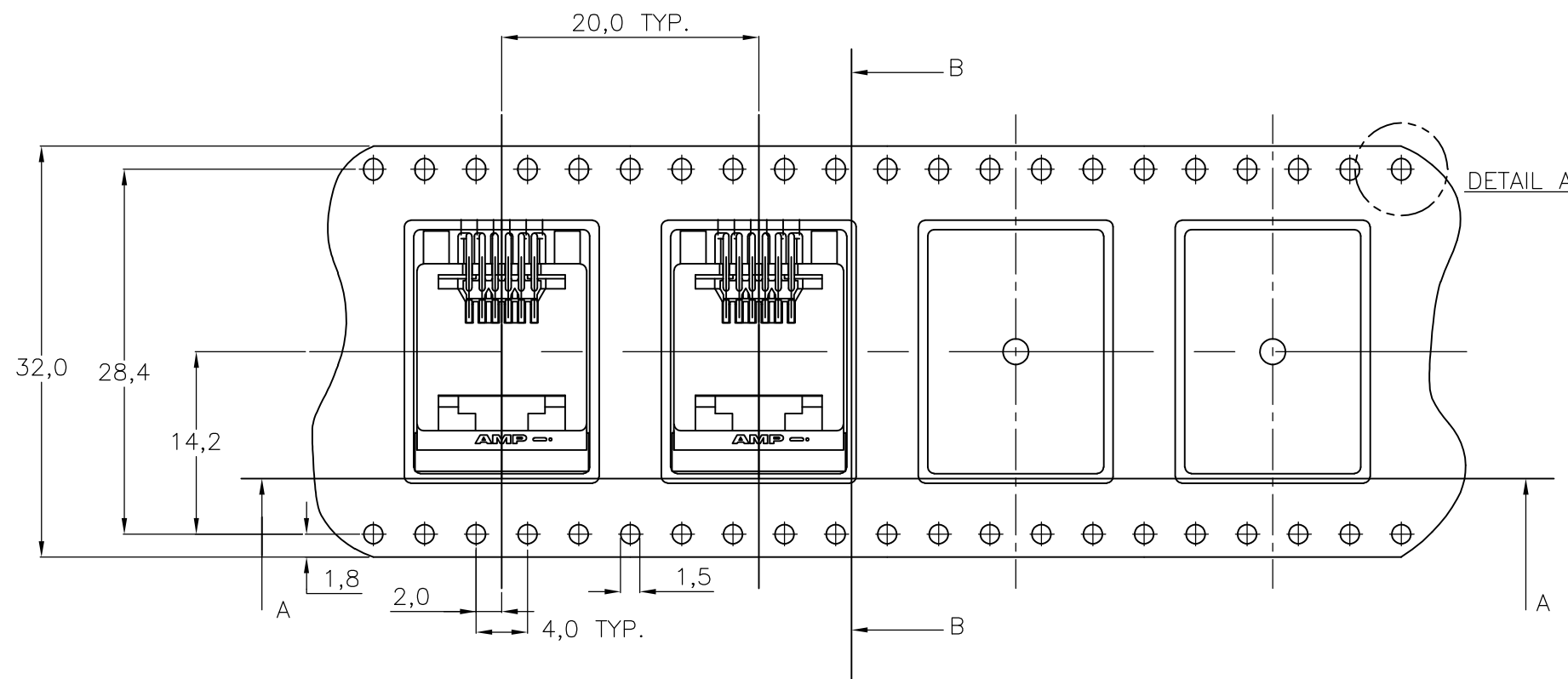


6 POS. / 6 CONTACTS	TAPE MOUNTED ON 60 cm. DIA. REEL (700 pcs/reel)	100860-1
DESCRIPTION	PACKAGING	PARTNUMBER

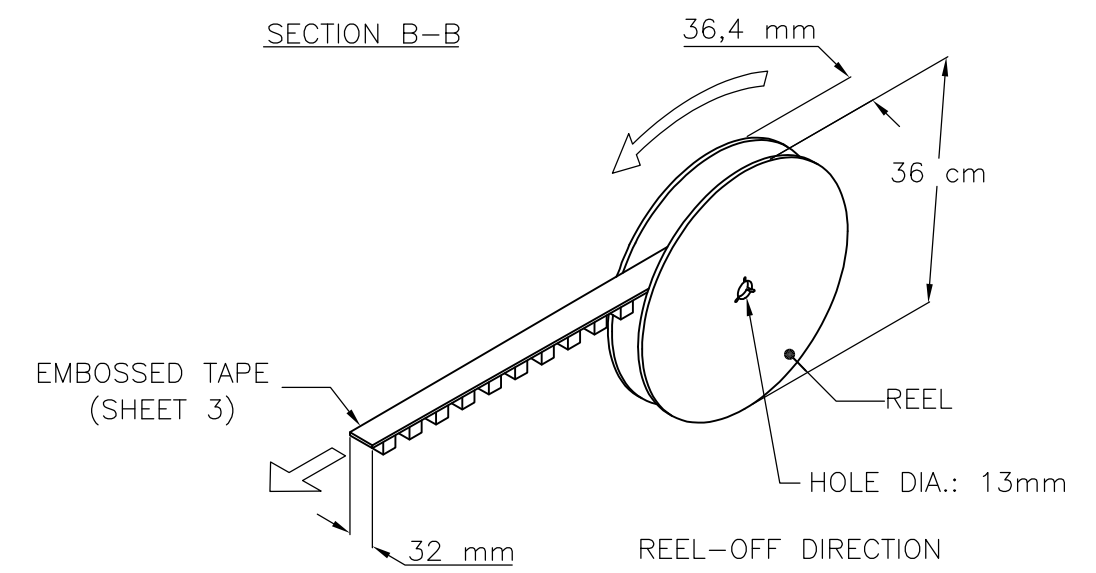
THIS DRAWING IS A CONTROLLED DOCUMENT.		DWN J. TUIN 06AUG93	Tyco Electronics Corporation 's-Hertogenbosch, Nederland	
DIMENSIONS: mm		CHK W. BRUMMANS	NAME	
TOLERANCES UNLESS OTHERWISE SPECIFIED:		APVD L. VAN SOEST	MODULAR JACK, 6 POSITION BOTTOM ENTRY FOR SURFACE MOUNT APPLICATION	
MATERIAL		PRODUCT SPEC	SIZE	RESTRICTED TO
FINISH		APPLICATION SPEC	CAGE CODE	
		WEIGHT	DRAWING NO	
		A3 00779 C-100860		
		CUSTOMER DRAWING		SCALE NTS SHEET 2 of 4 REV M1

THIS DRAWING IS UNPUBLISHED. RELEASED FOR PUBLICATION
 © COPYRIGHT - BY TYCO ELECTRONICS CORPORATION. ALL RIGHTS RESERVED.

LOC	DIST	REVISIONS			
P	LTR	DESCRIPTION	DATE	DWN	APVD
H	-	SEE SHEET 1	-	-	-

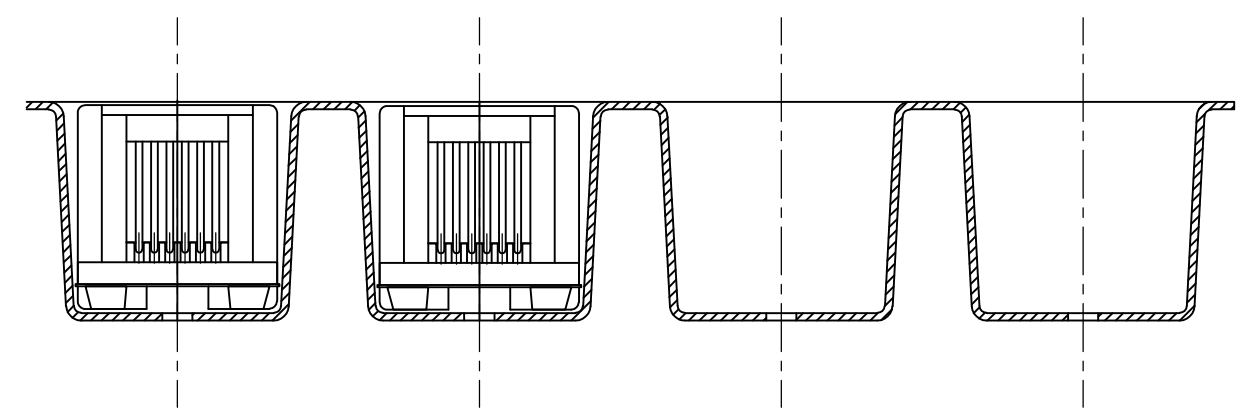
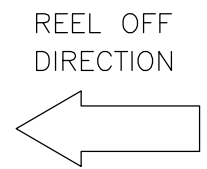


SECTION B-B

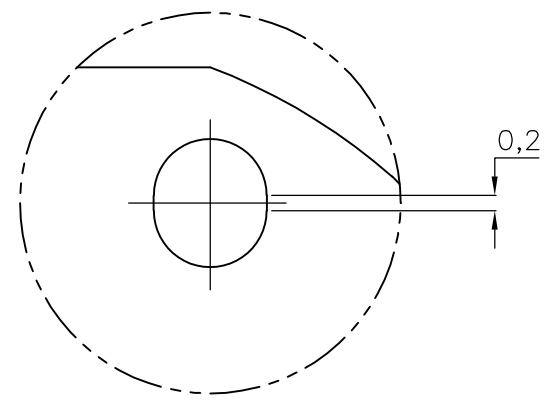


EMBOSSSED TAPE (SHEET 3)

REEL-OFF DIRECTION



SECTION A-A



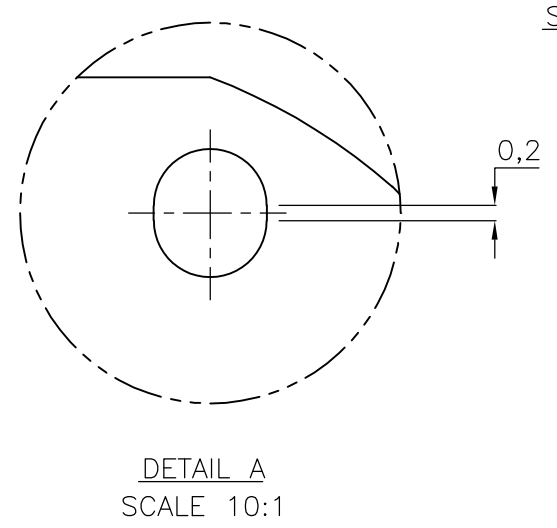
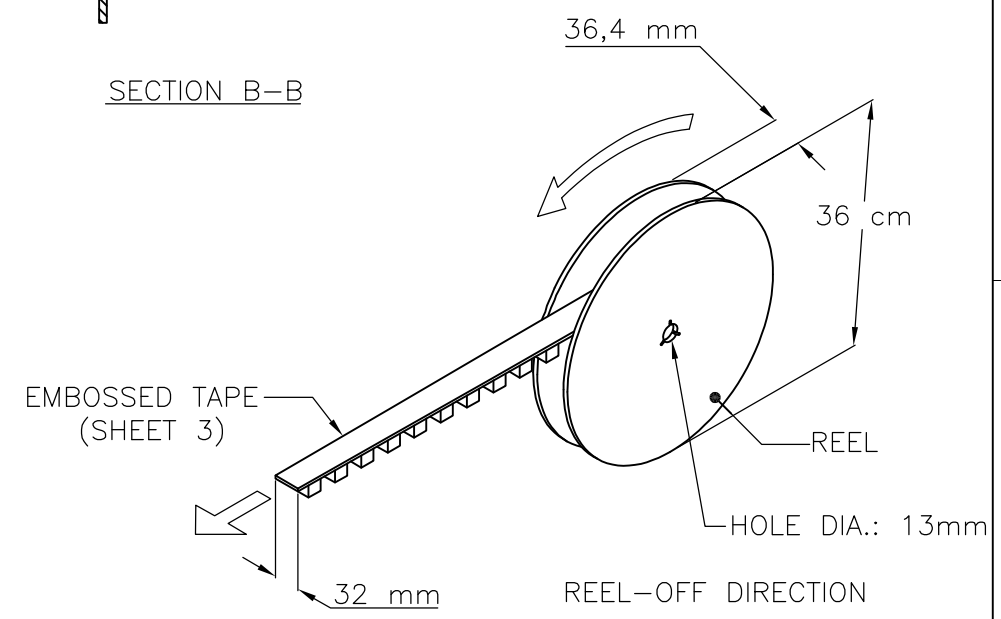
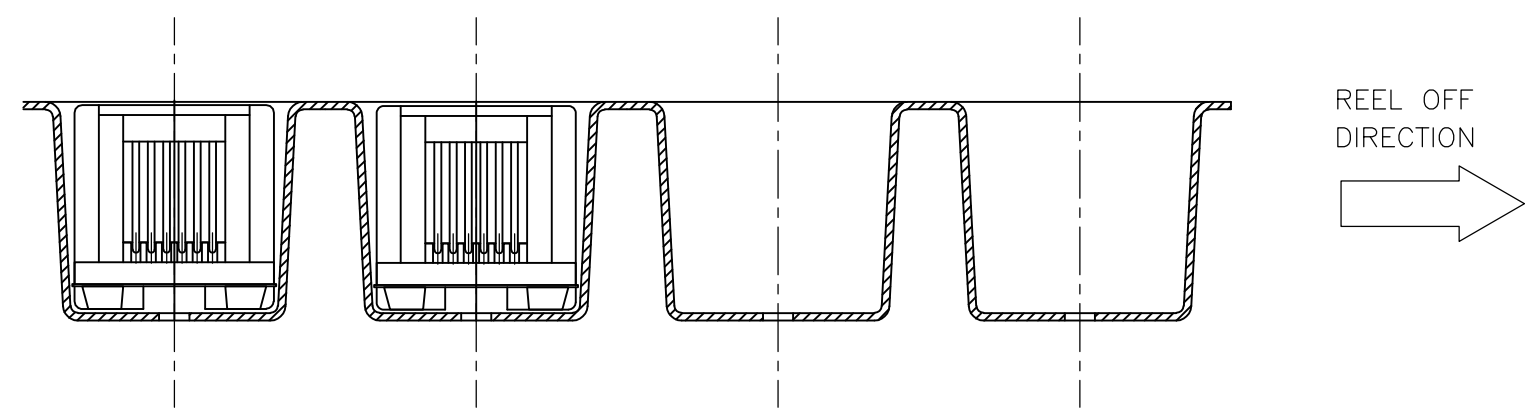
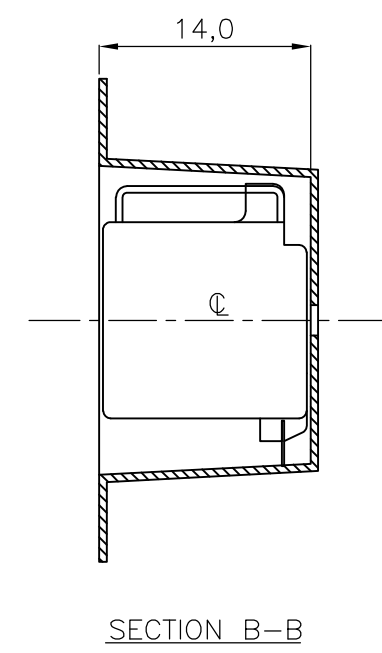
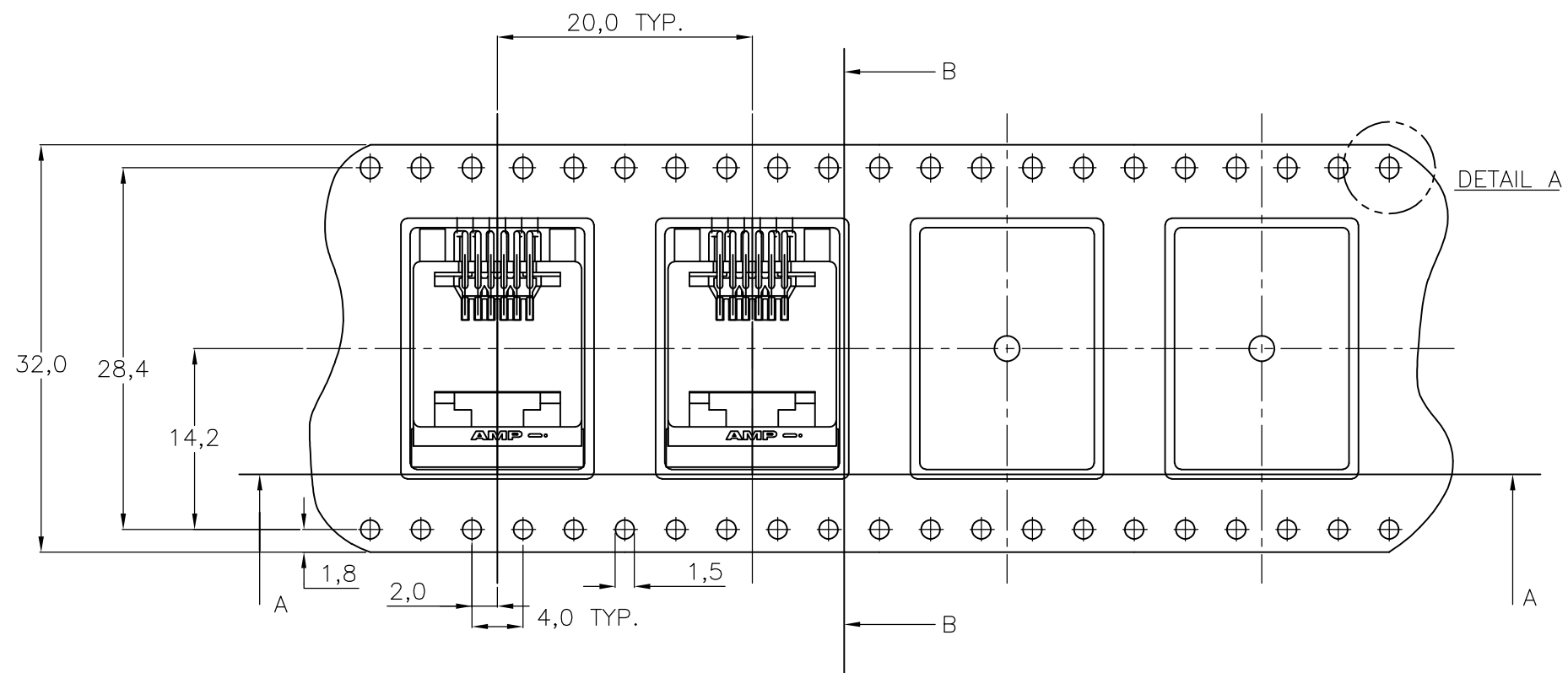
DETAIL A SCALE 10:1

6 POS. / 6 CONTACTS	EMBOSSSED TAPE ACC. TD EIA 481-3 (36 cm. DIA. REEL)(300 pcs/reel)	2-100860-1
DESCRIPTION	PACKAGING	PARTNUMBER

THIS DRAWING IS A CONTROLLED DOCUMENT.		DWN E. V. EIJK 03DEC96	Tyco Electronics Tyco Electronics Corporation 's-Hertogenbosch, Nederland	
DIMENSIONS: mm		CHK E. STELLINGA	NAME	
TOLERANCES UNLESS OTHERWISE SPECIFIED:		APVD R. SMEETS	MODULAR JACK 6 POS. PACKAGING	
0 PLC ± -	1 PLC ± -	PRODUCT SPEC -	SIZE A3	CAGE CODE 00779
2 PLC ± -	3 PLC ± -	APPLICATION SPEC -	DRAWING NO C-100860	RESTRICTED TO -
4 PLC ± -	ANGLES ± -	WEIGHT -	CUSTOMER DRAWING	
MATERIAL -	FINISH -	SCALE NTS		SHEET 3 OF 4
				REV M1

THIS DRAWING IS UNPUBLISHED. RELEASED FOR PUBLICATION
 © COPYRIGHT - BY TYCO ELECTRONICS CORPORATION. ALL RIGHTS RESERVED.

LOC	DIST	REVISIONS			
P	LTR	DESCRIPTION	DATE	DWN	APVD
H	-	SEE SHEET 1	-	-	-



OBSOLETE	6 POS. / 6 CONTACTS	EMBOSSD TAPE ACC. TD EIA 481-3 (36 cm. DIA. REEL)(300 pcs/reel)	3-100860-1
DESCRIPTION		PACKAGING	PARTNUMBER

THIS DRAWING IS A CONTROLLED DOCUMENT.		DWN E. V. EIJK 03DEC96	Tyco Electronics Corporation 's-Hertogenbosch, Nederland	
DIMENSIONS: mm		CHK E. STELLINGA	NAME	
TOLERANCES UNLESS OTHERWISE SPECIFIED:		APVD R. SMEETS	MODULAR JACK 6 POS. PACKAGING	
0 PLC ± -		PRODUCT SPEC	SIZE	RESTRICTED TO
1 PLC ± -		APPLICATION SPEC	CAGE CODE	
2 PLC ± -		WEIGHT	DRAWING NO	
3 PLC ± -			A3 00779	
4 PLC ± -			C-100860	
ANGLES ± -				
FINISH				
MATERIAL				
		CUSTOMER DRAWING		SCALE NTS
		SHEET 4 OF 4		REV M1