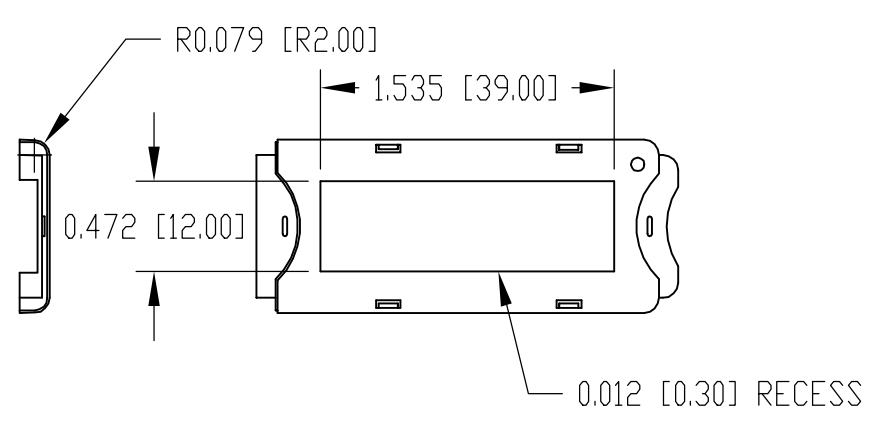
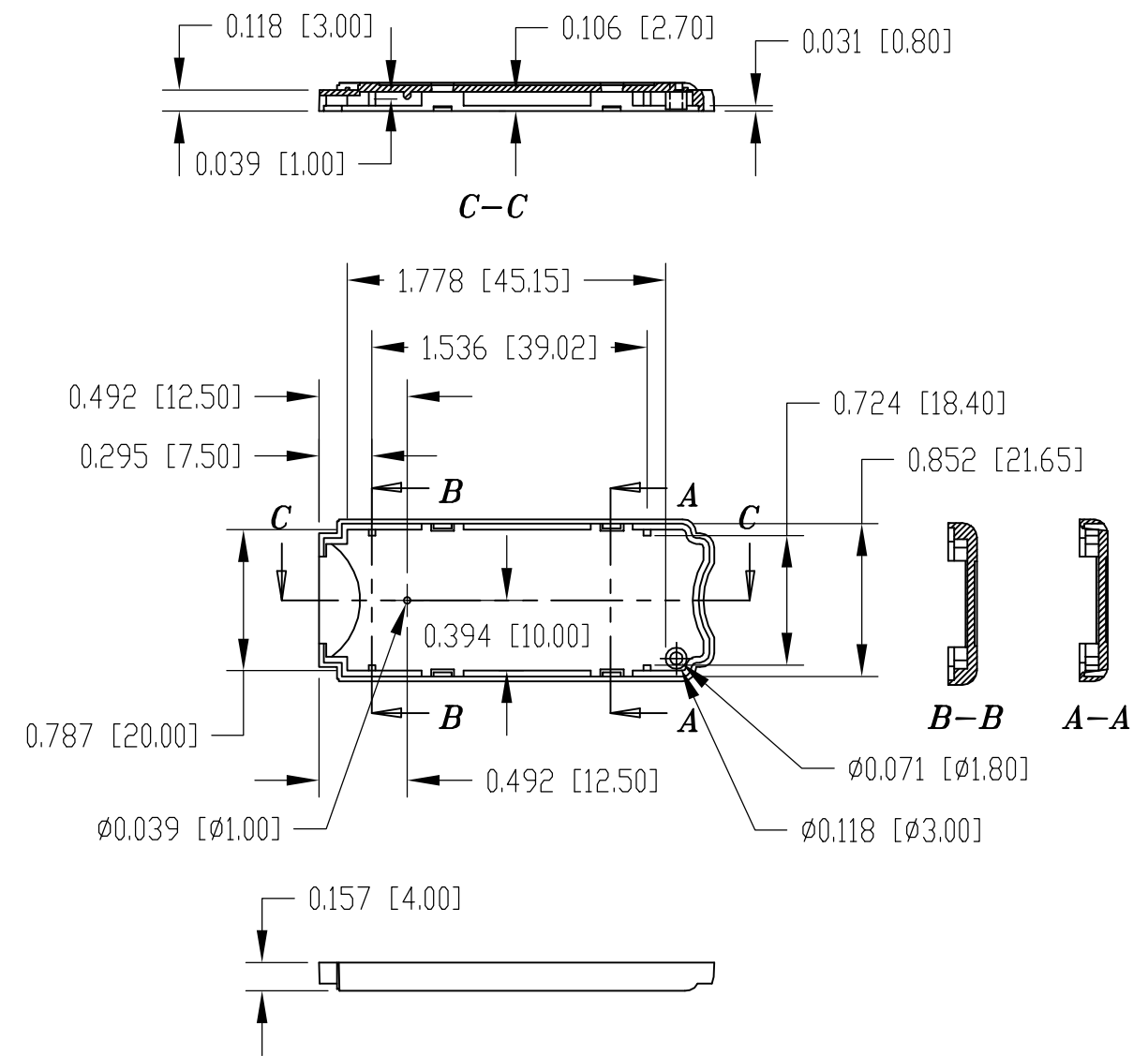
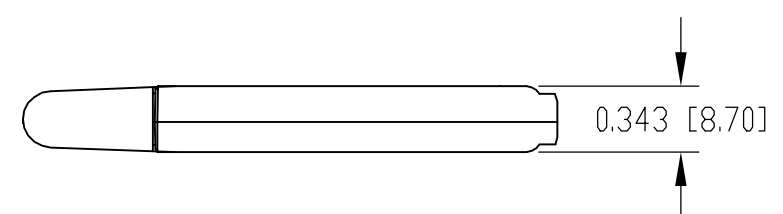
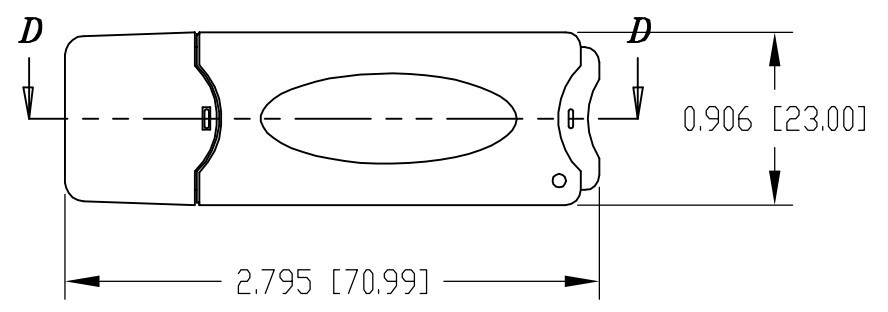
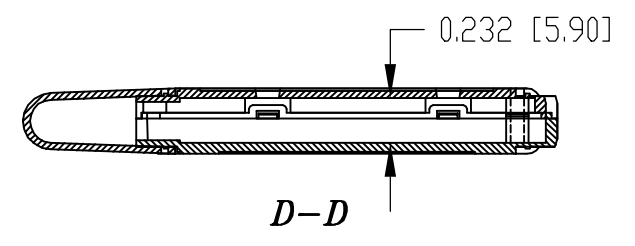


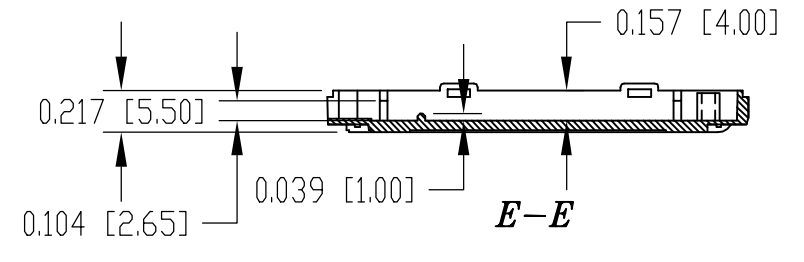
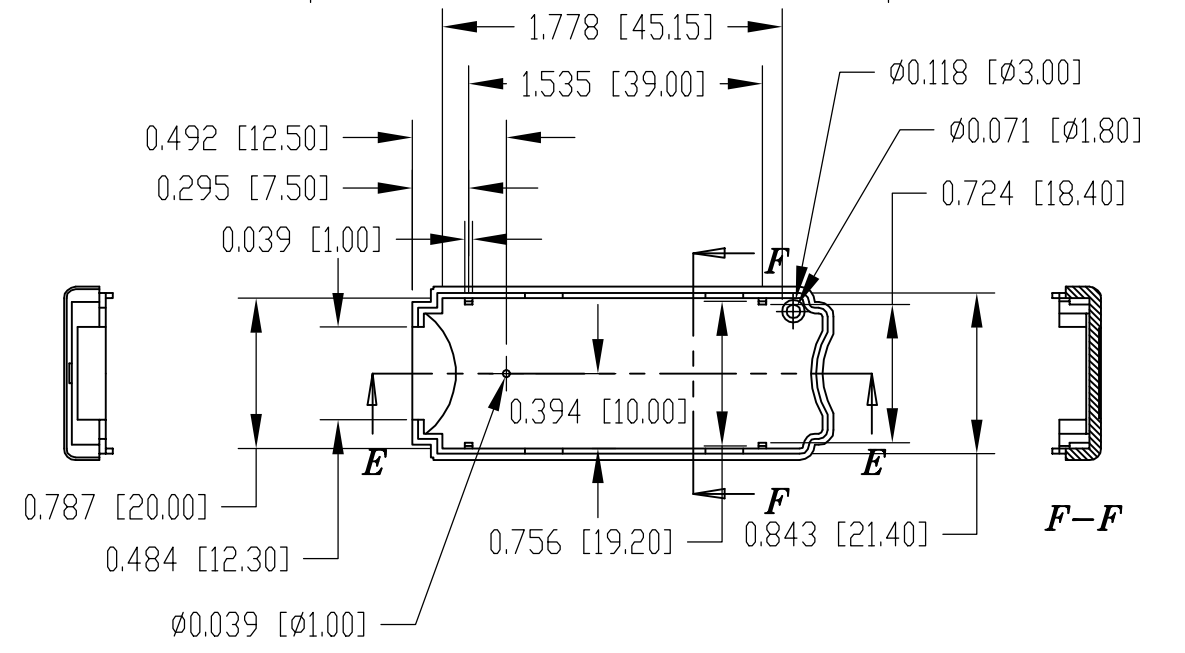
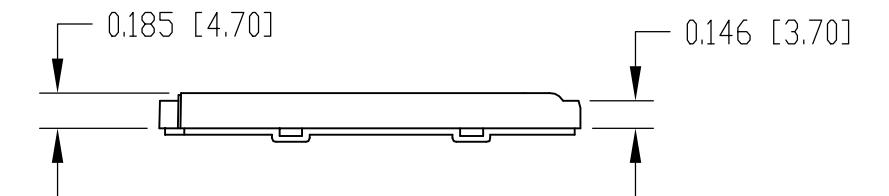
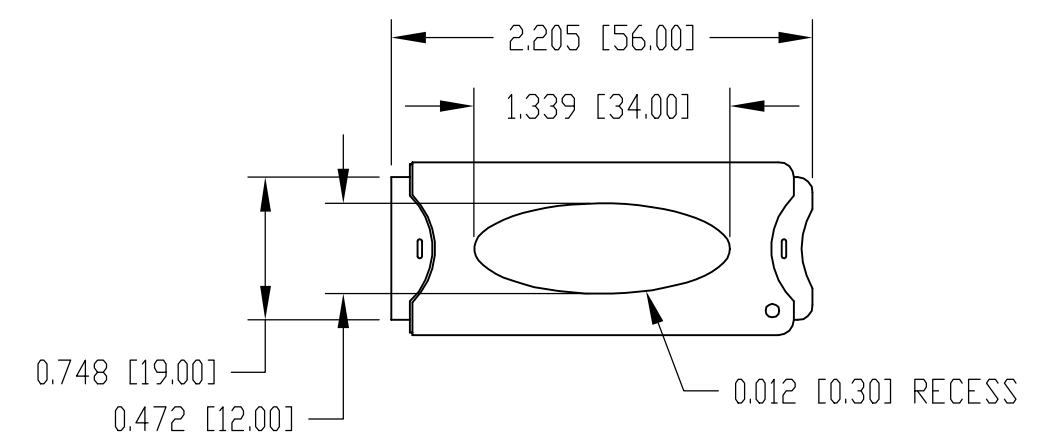
DWG. NO.	USB-7201
ISSUE	REVISIONS
(A)	ADDED DIMENSIONS 3-1-10 DAB



BASE

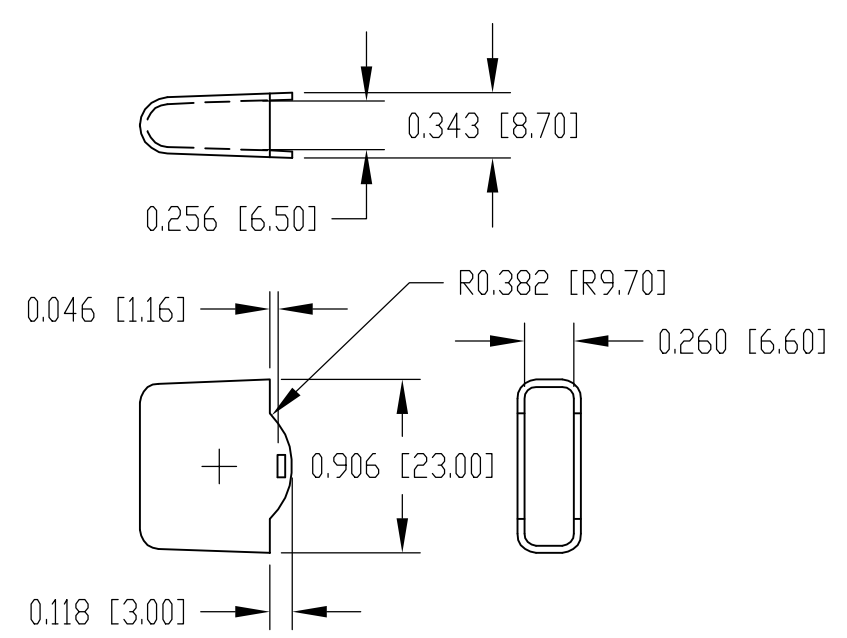


ASSEMBLED UNIT

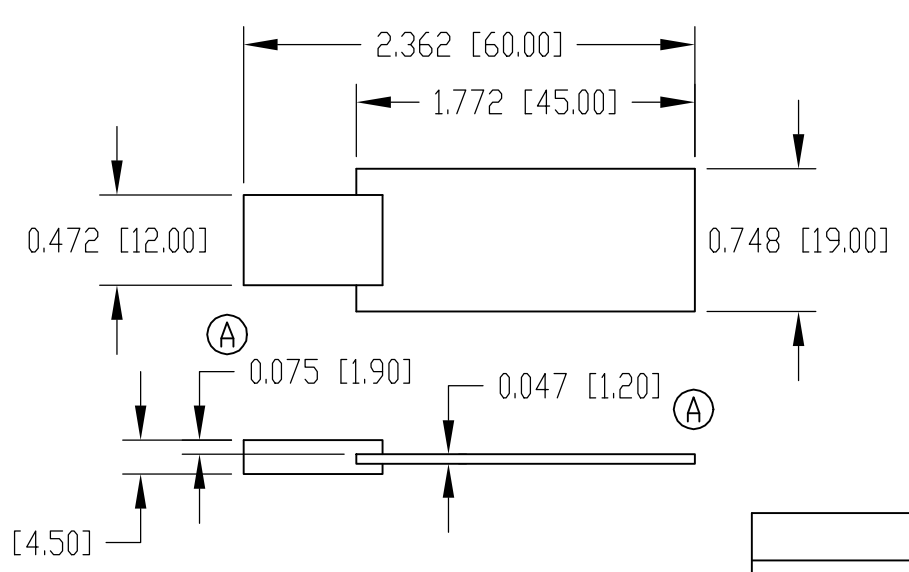
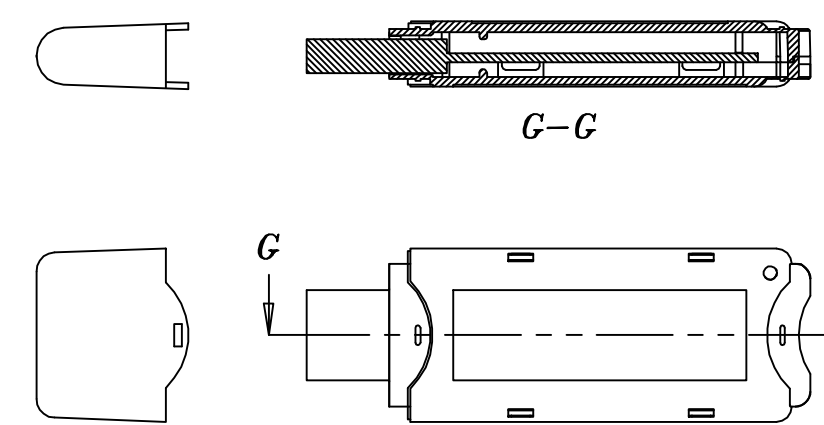


LID

USB-7201-G (GRAY) MATERIAL:  
HIGH IMPACT ABS UL94-HB  
USB-7201-C (CLEAR) MATERIAL:  
POLYCARBONATE UL94V-0



CAP



RECOMMENDED PCB SIZE

ITEM	REQ'D.	PART NO.	DESCRIPTION
<b>TOLERANCES:</b> ±.005 BETWEEN HOLE CENTERS ±.015 FROM SHEARED EDGE ±.032 FROM A BENT SURFACE ±.063 BETWEEN ASSEMBLED SURFACES UNLESS OTHERWISE SPECIFIED			NAME: USB ENCLOSURE
MAT: AS NOTED FINISH: AS NOTED DR. RD 10-10-08 CH. APP.		SCALE: BUD INDUSTRIES, INC. WILLOUGHBY, OHIO	DWG. NO. USB-7201
QTY.	USED ON		